

Pi RTC (DS1307)



The Pi RTC is based on the clock chip DS1307, it can provide a real-time clock(RTC) for raspberry pi via the I2C interface. Real-time clock of this module counts seconds,minutes, hours, date of the month,month, day of the week, and year with leap-year compensation valid up to 2100. The clock operates in either the 24-hour or 12-hour format with AM/PM indicator. If you want to keep this module timing when the Raspberry Pi is powered off, you need to put a 3-Volt CR1225 lithium cell in the battery-holder.

Note

The battery is not included.

Features

- Support Raspberry Pi 2/ 3 B/B+ Zero
- Support seconds,minutes,hours,day of week,month, year
- Support 24-hour or 12-hour format with AM/PM indicator
- 56-byte, battery-backed, nonvolatile (NV) RAM for data storage
- Two-wire serial interface
- Programmable squarewave output signal
- Automatic power-fail detect and switch circuitry

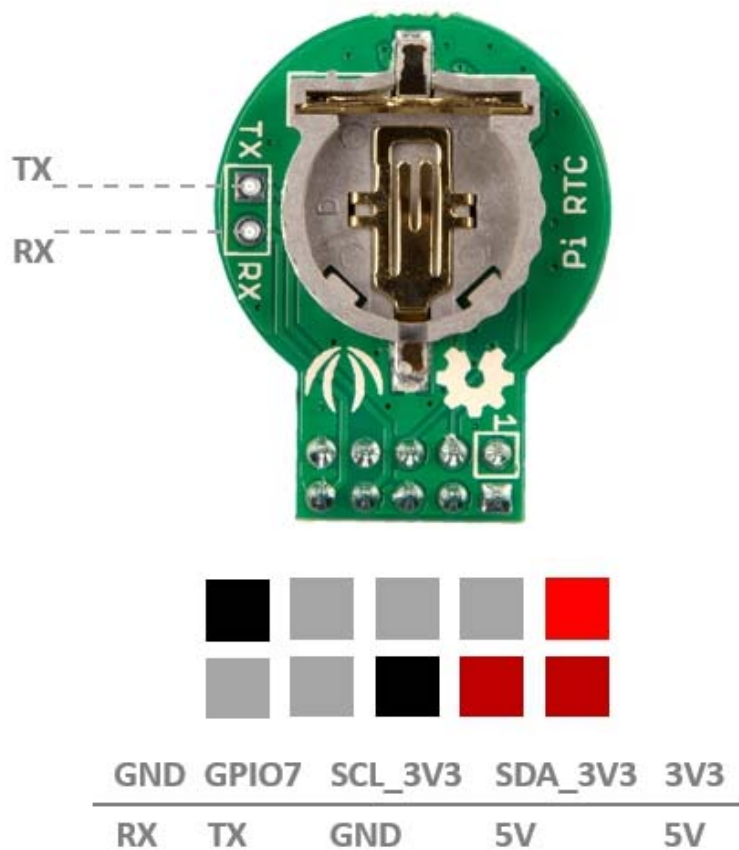
Specification

Item	Value
Operating Voltage	5V
Interface	I2C
I2C Address	0x68

Typical applications

Any applications need Real Time on Raspberry.

Pin Out

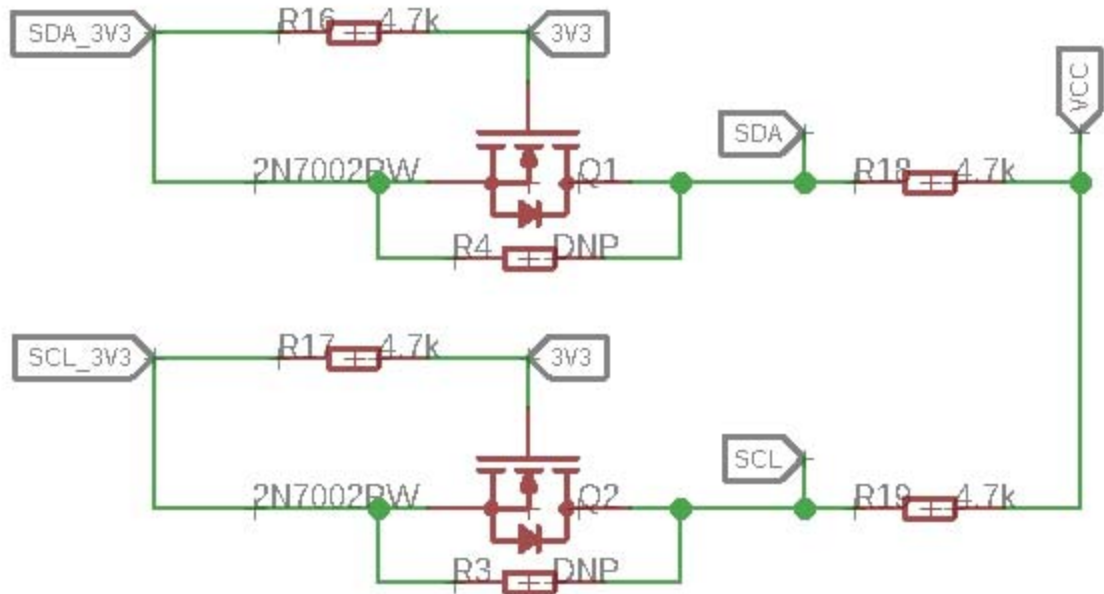


Note

RX/TX is not used in this module, but the 5x2 header takes up the RX/TX pin of the Raspberry Pi, so we bring the RX/TX out and come with a 2pin header.

Schematic

Bi-directional level shifter circuit





This is a typical Bi-directional level shifter circuit to connect two different voltage section of an I²C bus. The I²C bus of Raspberry Pi uses 3.3V, however the chip DS1307 works at 5V, so this circuit will be needed. In the schematic above, **Q1** and **Q2** are N-Channel MOSFET [2N7002A](#), which act as a bidirectional switch. In order to better understand this part, you can refer to the [AN10441](#)

Platforms Supported

Arduino	Raspberry Pi	BeagleBone	Wio	LinkIt ONE

Getting Started

Materials required

Raspberry Pi	Pi RTC(DS1307)
	

Note

Please plug the USB cable gently, otherwise you may damage the port. Please use the USB cable with 4 wires inside, the 2 wires cable can't transfer data. If you are not sure about the wire you have, you can click [here](#) to buy

Install

The driver we provide only applied for Raspbian Jessie/Stretch.

Tip

If you do not know how to use a raspberry pi, please check [here](#) before start.

- **Step 1. Driver Installation**

Tap the following command in your terminal

```
1 git clone https://github.com/Seed-Studio/pi-hats.git
```

When the download finish, tap the following command in your terminal

```
1 cd pi-hats
2 sudo ./install.sh -u rtc_ds1307
```

- **Step 2. Power off Raspberry Pi**

```
1 sudo shutdown -h now
```

- **Step 3. Insert the HAT to Raspberry Pi**



Please make sure plug the pin 1 of this hat into the pin 1 of raspberry GPIO, just like the picture above.

- **Step 4. Power up Raspberry Pi**

Usage

Now you can use the command to check whether the driver is installed successfully.

```
1 ./install.sh -l
```

If you want uninstall the driver you can use the command below:

```
1 sudo ./install.sh -u
```

Now let's see what the RTC module can do:

Read hardware clock and print result

```
1 sudo hwclock -r
```

Set the system time from the hardware clock

```
1 sudo hwclock -s
```

Set the hardware clock from the current system time

```
1 sudo hwclock -w
```

More usage

```
1 hwclock --help
```

Tech Support

Please do not hesitate to submit the issue into our [forum](#)

X-ON Electronics

Largest Supplier of Electrical and Electronic Components

Click to view similar products for [Clock & Timer Development Tools](#) category:

Click to view products by [Seeed Studio](#) manufacturer:

Other Similar products are found below :

[EV-ADF4106SD1Z](#) [EV-ADF4156SD1Z](#) [118777-HMC720LP3E](#) [AD9512/PCBZ](#) [AD9516-0PCBZ](#) [AD9516-3PCBZ](#) [AD9517-0A/PCBZ](#) [AD9517-1A/PCBZ](#) [AD9517-2A/PCBZ](#) [AD9520-3PCBZ](#) [AD9522-4/PCBZ](#) [AD9552PCBZ](#) [125614-HMC850LC3](#) [EKIT01-HMC767LP6CE](#) [NBA3N206SDGEVB](#) [EV-ADF4355-3SD1Z](#) [AD9516-1/PCBZ](#) [AD9516-4PCBZ](#) [AD9520-5PCBZ](#) [AD9530/PCBZ](#) [AD9547/PCBZ](#) [AD9553/PCBZ](#) [AD9557PCBZ](#) [AD9559/PCBZ](#) [LMH2180SDEVAL](#)