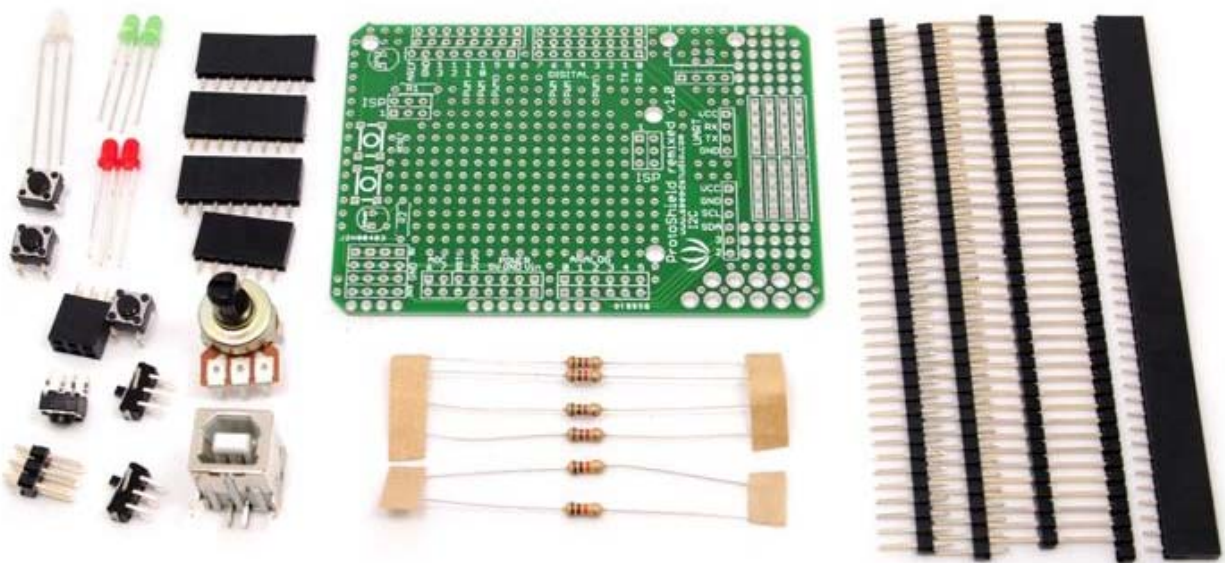


Protoshield Kit for Arduino



Build your own Arduino shield using the compact and flexible Proto Shield kit. Solder together a limitless range of circuits and reuse it in all your Arduino projects. A standard 0.1" prototyping grid accepts commonly used through-hole parts and chips. Basic components (resistors, potentiometer, LEDs, switches) are included to help you get started with your custom shield.

Features

- Arduino compatible
- Large 0.1 inch pitch prototyping area
- A variety of through-hole sizes to fit most parts
- Arduino UART and I2C port pin breakouts for easy external communication interfacing
- Dual ISP breakouts for easy programming and stacking
- 3.3 volt, 5 volt, and ground power rails are easily available anywhere on the board
- Breadboard style prototyping area
- USB type B connector
- Basic components included (buttons, switches, LEDs, resistors, USB jack)

Compatibility

We have produced a lot of extension board that can make your platform board more powerful, however not every extension board is compatible with all the platform board, here we use a table to illustrate how are those boards compatible with platform board.

Note

Please note that "Not recommended" means that it might have chance to work with the platform board however requires extra work such as jump wires or rewriting the code. If you are interested in digging more, welcome to contact with techsupport@seeed.cc.

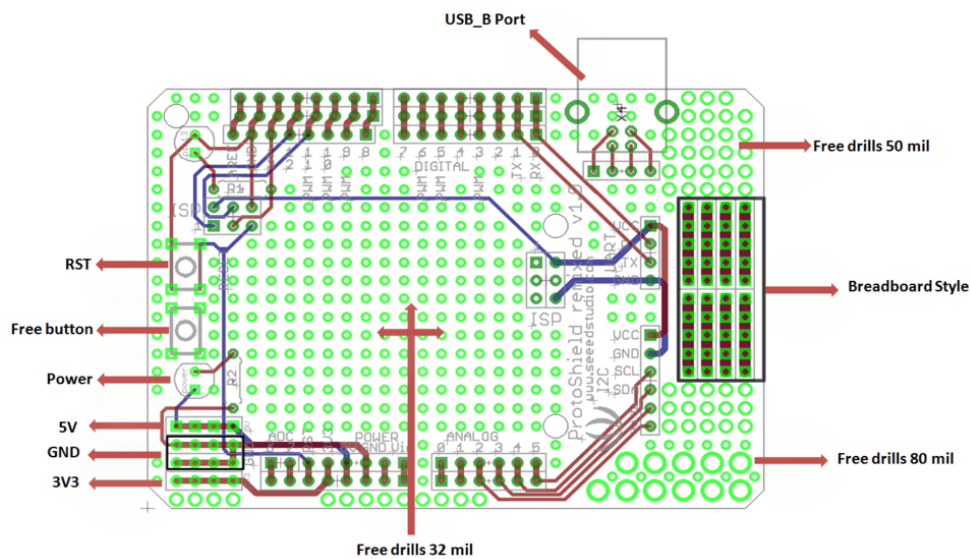
Click to see full picture

| | Arduino Uno Seeeduino v4.2 | Arduino Mega Seeeduino Mega | Zero(m0) LoraWan | Arduino Leonardo Seeeduino Lite | Arduino 101 | Arduino Due 3.3v | Intel Edison 5v | Linkit One |
|--------------------------------|-------------------------------|--------------------------------|---------------------|------------------------------------|--------------------|---------------------|--------------------|-----------------|
| 1 2.8" TFT Touch Shield V2.0 | bap nonsupport | bap nonsupport | Not recommended | bap nonsupport | Not recommended | Not recommended | Not recommended | Not recommended |
| 2 Base Shield V2 | Yes | Yes | Yes | Yes | Yes | Yes | Yes | Yes |
| 3 Camera Shield | Only Pin234567 | Hardware Serial OK | Not recommended | Not recommended | Yes | Hardware Serial OK | No | No |
| 4 EL Shield | Yes | Yes | No | Yes | No | No | No | No |
| 5 Energy Shield | Yes | Yes | Yes | Yes | Yes | Yes | Yes | No |
| 6 GPRS Shield | Not recommended | Not recommended | Yes | Yes | Yes | Not recommended | Yes | No need |
| 7 Motor Shield V2.0 | Yes | Stepper motor only | No | Yes | Stepper motor only | Stepper motor only | No | No |
| 8 Music Shield V2.0 | Yes | Yes | Not recommended | Yes | Yes | Yes | Yes | Yes |
| 9 NPC Shield V2.0 | Yes | Yes | Yes | Yes | Yes | Yes | No | Yes |
| 10 Protoshield Kit for Arduino | Yes | Yes | Yes | Yes | Yes | Yes | Yes | Yes |
| 11 RS232 Shield | Yes | Yes | No | Yes | No | No | No | No |
| 12 Relay Shield V3.0 | Yes | Yes | Yes | Yes | Yes | Yes | Yes | Yes |
| 13 SD Card Shield V4.0 | Yes | Yes | Not recommended | Yes | Yes | Yes | No | No |
| 14 Seed BLE Shield V1 | Yes | Not recommended | Not recommended | Yes | No need | Not recommended | Not recommended | No need |
| 15 W5500 Ethernet Shield | Yes | Yes | Yes | Yes | Yes | Yes | Yes | Yes |
| 16 Wifi Shield(Fi250) V1.1 | Not recommended | Not recommended | Not recommended | Yes | Yes | Not recommended | No need | No need |
| 17 Wifi Shield V2 | Yes | Not recommended | Not recommended | Yes | Yes | Not recommended | No need | No need |
| 18 XBee Shield V2 | Yes | Not recommended | Not recommended | Yes | Yes | Not recommended | Not recommended | Not recommended |

Components included in the kit

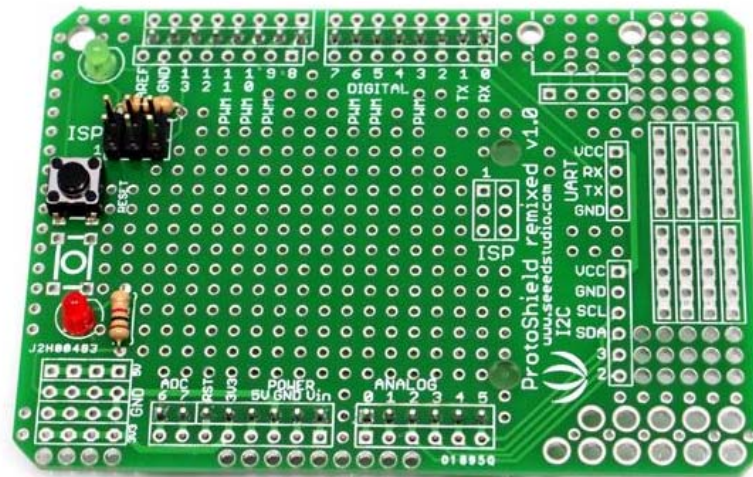
- 1 Arduino compatible Proto Board
- 1 B type USB connector
- 1 40-pin 2.54mm male long header
- 1 40-pin 2.54mm female header
- 2 40-pin 2.54mm male headers
- 1 40-pin 2.54mm spacer
- 3 8-pin 2.54mm female headers
- 1 6-pin 2.54mm female header
- 1 ISP female pin header
- 1 ISP male pin header
- 1 10k ohm potentiometer
- 4 1k ohm resistors
- 2 10k ohm resistors
- 2 3mm red LEDs
- 2 3mm green LEDs
- 1 3mm dual color LED
- 4 Mini push button switches
- 2 DPDT switches

Board trace schematic

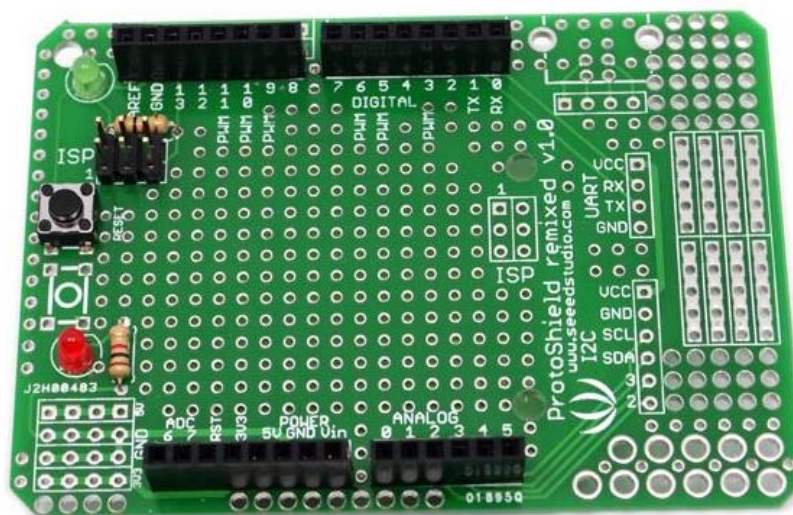


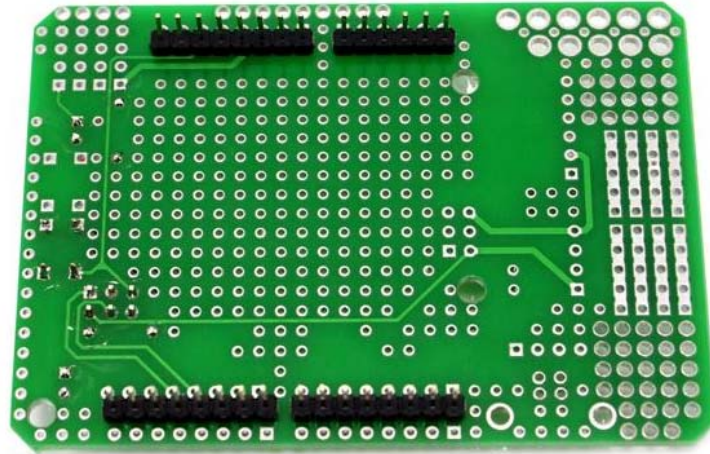
Assembly

Step 1: Solder the Red LED to the holes in the Power Socket outline. Be sure to match the flat side of the LED with the outline on the board. Solder the green LED to the holes in the pin13 outline on the board, again, matching the flat side of the LED to the board outline. Solder two 1K resistors to R1 and R2. Solder Reset button and ISP header per the picture below. Note: The reset button is easier to install if you insert it before inserting the ISP header.

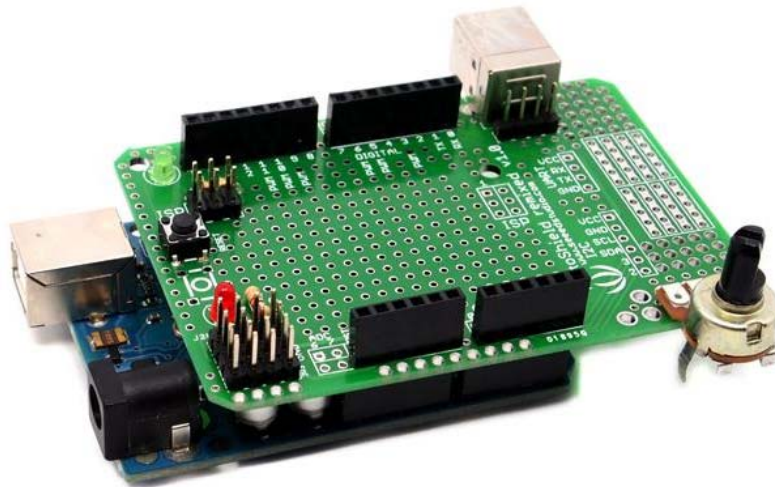


Step 2: Solder the female and male connectors. Note: solder ADC6 and ADC7 **ONLY** if your are using a **Seeeduino**. When using an Arduino, do **NOT** solder ADC6 and ADC7.





Step 3: Solder the USB connector to the USB port, and the potentiometer in the 80 mil holes. Solder the bottom left Power pins to suit your project.



Your finished kit should look similar to the picture above.

Resources

- [Sources file](#)

Tech Support

Please submit any technical issue into our [forum](#) or drop mail to techsupport@seeed.cc.

X-ON Electronics

Largest Supplier of Electrical and Electronic Components

Click to view similar products for [Seeed Studio Accessories](#) category:

Click to view products by [Seeed Studio](#) manufacturer:

Other Similar products are found below :

[101990565](#) [114992282](#) [114992268](#) [101990647](#) [103060000](#) [101020004](#) [101020006](#)

[101020012](#) [101020018](#) [101020028](#) [101020038](#) [101020045](#) [101020049](#) [101020052](#)

[101020055](#) [101020056](#) [101020058](#) [101020472](#) [101020580](#) [101020603](#) [101990007](#)

[101990028](#) [101990053](#) [101990058](#) [101990059](#)