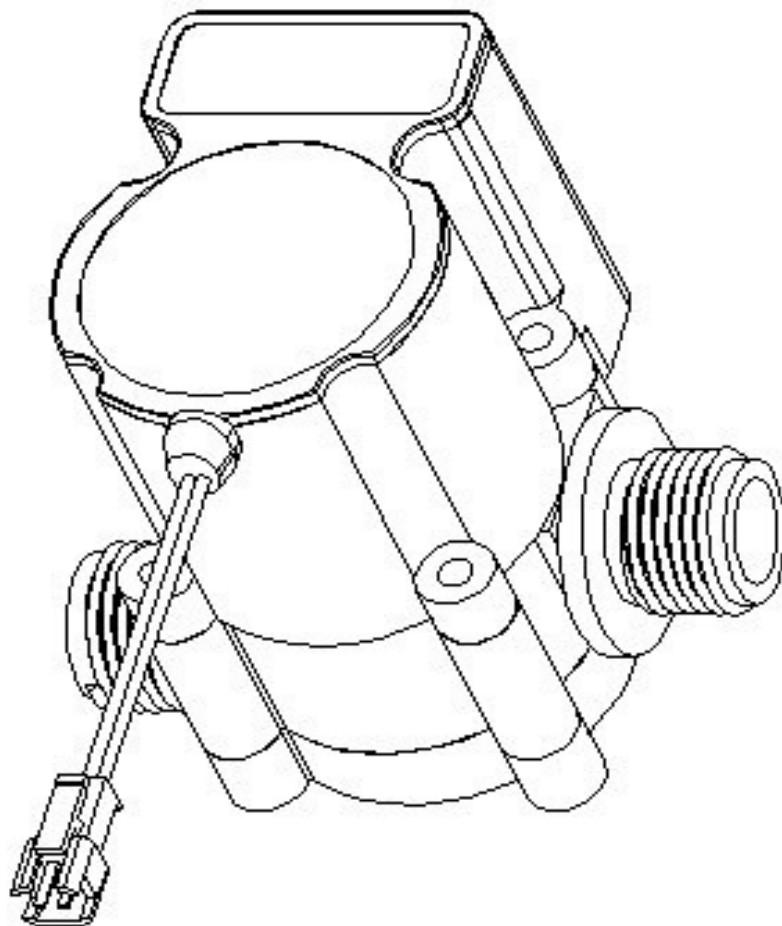


Hydro-Generator Specification

Model : DB-370F



DB-370F Specification Sheet

| | |
|-----------------------------------|------------------------------------|
| Working Pressure | < 2KGF |
| Pressure Drop | 0.4 Bar (3.0 L / Min) |
| Peak Current | 1.4 A |
| Stand-by Current | Max. 1.4A |
| Voltage Output | 3.6V _{DC} --- 700mAh |
| Power Output | 125mW (4LPM) |
| Battery Capacity | 700mAh |
| Max. Flow | 20 L / Min (2KGF) |
| Water-resistance | IP4 |
| High limited voltage | 4.3V _{DC} |
| Dimensions | L 84.5 mm - W 64.5 mm - H 81 mm |
| Wire Length | 84mm |
| Jack Type | JWT C2521 Terminal Plug |
| Connect Thread Gauge | G 1/2" |
| Weight | 195 ± 5g |
| Burst Pressure | 20KGF |
| Normal Operation Temp. | 4 °C~80 °C |
| Max. Intermittent Operating Temp. | 110 °C max. 30 min |
| Generating Model | NACuM Core (PAT NO.DE202006004800) |
| Battery Type | Li-polymer Battery with PCM |

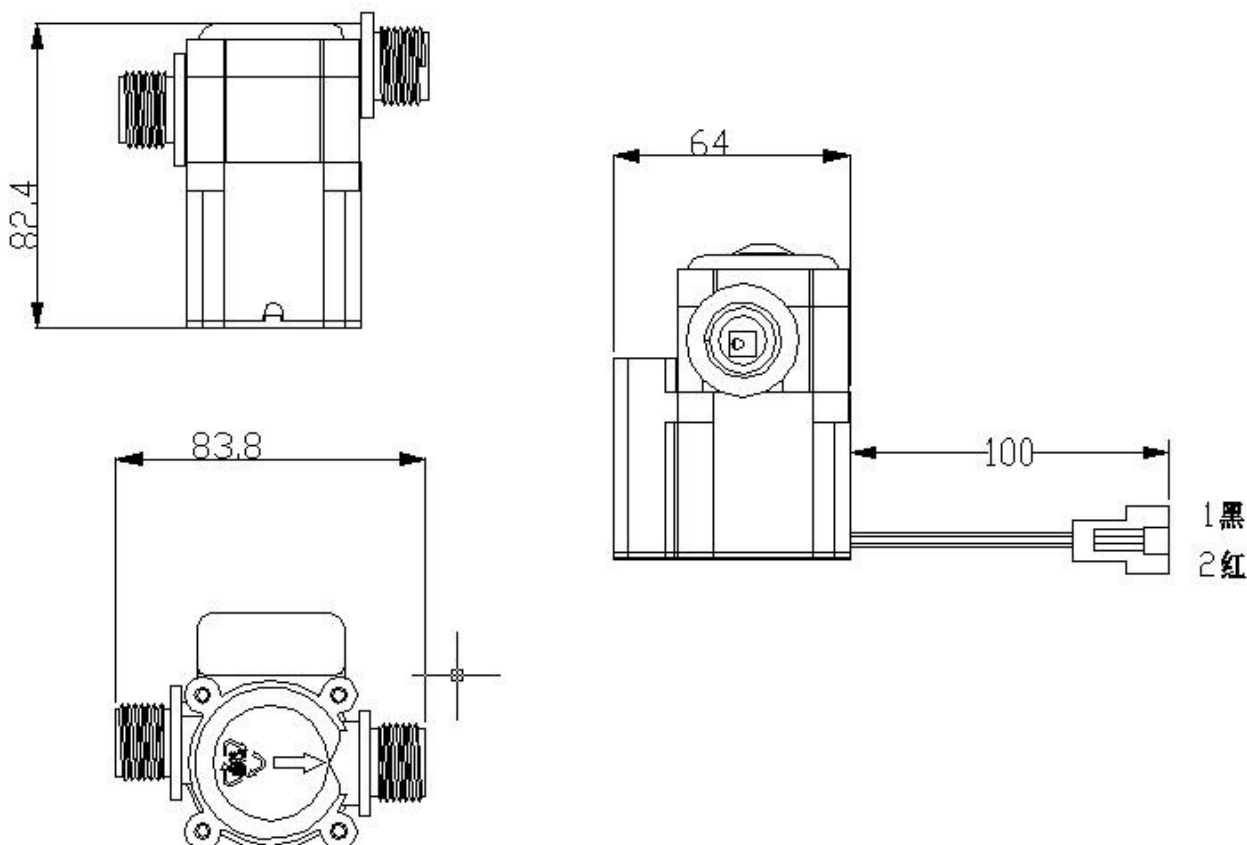
NACuM Performance

The table shows the NACuM generated power at several flows, at a 100 Ohm resistor.

Flow(LPM) Voltage(V_{DC}) Current(mA) Power(mW)

| | | | |
|-----|------|------|-------|
| 2.7 | 3.4 | 34 | 115.6 |
| 3 | 3.5 | 35 | 122.5 |
| 4 | 3.6 | 36 | 129 |
| 12 | 3.66 | 36.6 | 133.9 |

EP-370F Drawing



X-ON Electronics

Largest Supplier of Electrical and Electronic Components

Click to view similar products for [Power Management IC Development Tools](#) category:

Click to view products by [Seeed Studio](#) manufacturer:

Other Similar products are found below :

[EVB-EP5348UI](#) [DA9063-EVAL](#) [BQ24155EVM](#) [BQ25010EVM](#) [REG710EVM-5](#) [TPS54980EVM-022](#) [TPS65010EVM-230](#) [BQ24120EVM-001](#) [BQ24212EVM-678](#) [BQ25050EVM](#) [BQ3050EVM-001](#) [ISL9520EVAL1Z](#) [UCC3809EVM](#) [LM3691TL-1.2EV/NOPB](#) [SOT23-3EV-VREG](#) [SOT89-3EV-VREG](#) [TPS2458EVM](#) [TPS54229EEVM-056](#) [TPS54329EEVM-056](#) [TPS54428EVM-052](#) [BQ24092EVM](#) [BQ24715EVM-115](#) [S6SBP203A8FVA1001](#) [TPS652510EVM](#) [HIP2103-4DEMO1Z](#) [ISL28022EVKIT1Z](#) [STEVAL-ISA047V1](#) [ISL8502AEVAL1Z](#) [ISL8009AEVAL1Z](#) [ISL78227EV1Z](#) [TPS76901EVM-127](#) [BM6208FS-EVK-001](#) [LM5115EVAL](#) [LP5900TL-2.5EV](#) [TPS51217EVM-533](#) [TPS53126EVM-600](#) [EVALHBBC1EDN8550BTOBO1](#) [DRI0043](#) [7E.12.8.230.0002](#) [ISL91133IIO-EVZ](#) [ISL91133IIL-EVZ](#) [KITPF8100FRDMEVM](#) [NCP10671B05GEVB](#) [EVB-EN6337QA](#) [AP3125AEV1](#) [NIV6350MT2GEVB](#) [EVALM1IM535TOBO1](#) [XMCA1](#) [EVAL1EDFG1BHGBGANTOBO1](#) [RD33771-48VEVM](#)