

RFBee User Manual v1.1



Table of contents

1	Overview	2
1.1	Licensing	2
1.2	Specifications.....	2
1.3	Electrical Characteristics	3
1.4	Board layout	3
1.5	Microprocessor-Atmega168	3
1.6	RF Transceiver-CC1101	3
1.7	Pin layout.....	4
1.8	Schematic.....	4
2	Hardware Installation	6
3	Configuration.....	8
3.1	Version.....	8
3.2	Out of the box	8
3.3	AT Commands.....	8
3.3.1	AT Format	8
3.3.2	Supported commands:.....	9
3.3.3	Output format	11
3.4	Broadcasting	11
4	How to update firmware.....	12
5	Revision History.....	13

1 Overview

The RFBee is a RF module providing easy and flexible wireless data transmission between devices. It is based on a AVR Atmega168 working as a fully functional Arduino connected via SPI to a TI CC1101 RF transceiver.

Features:

- Range: Indoor/Urban: up to 50m; Outdoor line-of-sight: up to 120m;
 - Receiver Sensitivity: -95dBm
 - RF Data Transmission Rate: 4,800bps; 76,800bps
 - Working Frequency : 868MHz & 915MHz
 - Communication type: Point to Point, or Point to Multipoint.
 - Easy-to-Use Serial Interface and rich extendable ports
 - Easy-to-Use AT Command: Set working mode, Serial Baud Rate, etc.
 - Open source Hardware and Firmware
 - Socket compatible with the Xbee, so you can plug it into any Xbee socket as a quick replacement.
- Note: only the Rx,Tx, VCC, GND pins are identical to the Xbee. RFbee's will not communicate with Xbee's, so RFbee's need to be used on both ends of the wireless connection.

1.1 Licensing

This documentation is licensed under the [Creative Commons Attribution-NonCommercial-ShareAlike License 3.0](https://creativecommons.org/licenses/by-nc-sa/3.0/).
 Source code of the Atmega 168 firmware used in the RFBee is licensed under GPL/LGPL, see source code files for details.

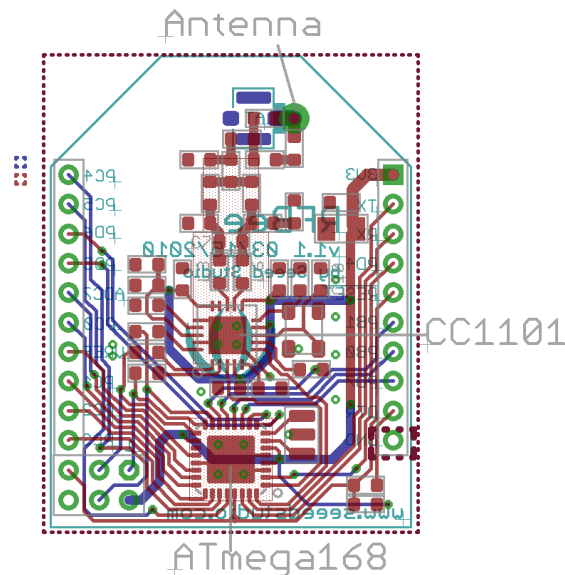
1.2 Specifications

Specification	Value
Microprocessor	Atmega168
PCB size	24.38mmx32.94mmx0.8mm
Indicators	No
Power supply	3.3v
IO counts	9
ADC input	7(6 multiplexing with IO)
Program interface	USB
Connectivity	Socket compatible with XBee
Communication Protocol	Uart(TTL)
Operating Frequency Band	ISM 868MHz & 915MHz
Outline Dimension	24.38mmx32.94mmx15mm

1.3 Electrical Characteristics

Specification	Min	Typ	Max	Unit
Input voltage	3.0	3.3	3.6	VDC
Transmit Current		34.5		mA
Receive Current		18.1		mA
Idle Current		5.2		mA
Power-down Current		<0.3		mA
Operating Temperature	-50		125	°C

1.4 Board layout



1.5 Microprocessor-Atmega168

The Atmega 168 has enough resources to control the RF transceiver while providing complete Uart communication and the default firmware of the RFBee offers a number of options. More importantly the Atmega 168 is one of the most popular MCU's within the open source hardware community, making the RFBee compatible to the Arduino IDE and its vast knowledge pool. This enables the user to develop custom behavior for the RFBee using the easy to use Arduino IDE.

>>Datasheet: http://www.atmel.com/dyn/resources/prod_documents/doc2545.pdf

>>Arduino information: <http://www.arduino.cc/>

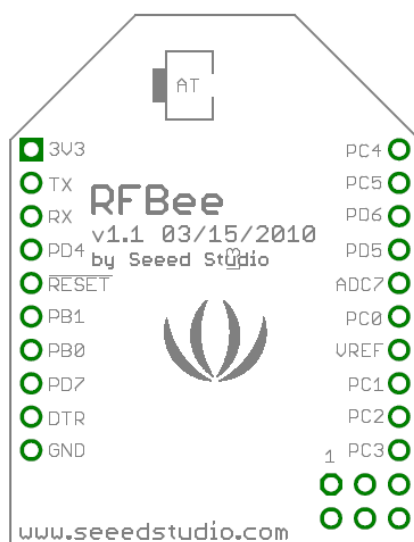
1.6 RF Transceiver-CC1101

The CC1101 is a low-cost sub-1 GHz transceiver designed for very low-power wireless applications. The circuit is mainly

intended for the ISM (Industrial, Scientific and Medical) and SRD (Short Range Device) frequency bands at 315, 433, 868, and 915MHz. The RFBee antenna and firmware are optimized for 868 and 915MHz.

>>Datasheet: <http://focus.ti.com/docs/prod/folders/print/cc1101.html>

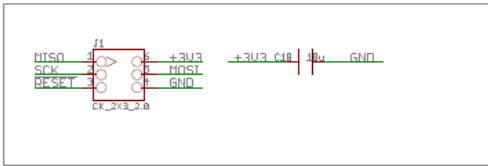
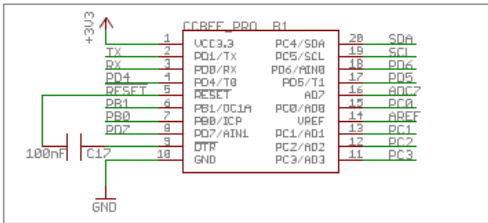
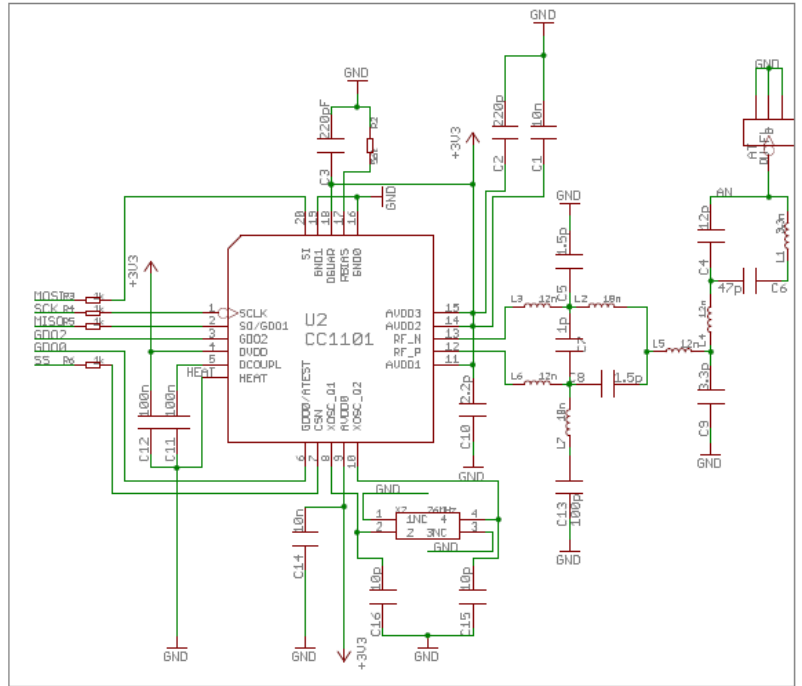
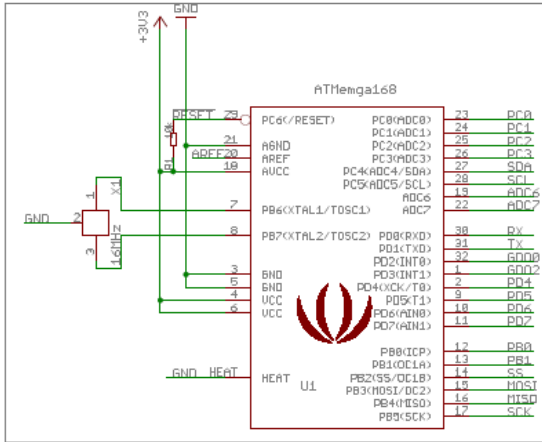
1.7 Pin layout



PIN	#	Pad Type	Description	Arduino Pin Number [1]
3V3	1	Supply input	Vcc,+3.3v	-
TX	2	Output	Uart Tx port	1(DIO)
RX	3	Input	Uart Rx port	0(DIO)
PD4	4	Input/Output	ATmega168 PD4	4(DIO)
!RESET	5	Input	ATmega168 Reset port	
PB1	6	Input/Output	ATmega168 PB1	9(DIO)
PB0	7	Input/Output	ATmega168 PB0	8(DIO)
PD7	8	Input/Output	ATmega168 PD7	7(DIO)
!DTR	9	Input	Used for programming the ATmega168	-
GND	10	GND	GND	-
PC3	11	Input/Output	ATmega168 PC3	3(Analog input)/17(DIO)
PC2	12	Input/Output	ATmega168 PC2	2(Analog input)/16(DIO)
PC1	13	Input/Output	ATmega168 PC1	1(Analog input)/15(DIO)
VREF	14	Input	ATmega168 AREF port	-
PC0	15	Input/Output	ATmega168 PC0	0(Analog input)/14(DIO)
ADC7	16	Input	ATmega168 ADC7	7(Analog input)
PD5	17	Input/Output	ATmega168 PD5	5(DIO)
PD6	18	Input/Output	ATmega168 PD6	6(DIO)
PC5	19	Input/Output	ATmega168 PC5	5(Analog input)/19(DIO)
PC4	20	Input/Output	ATmega168 PC4	4(Analog input)/18(DIO)

Note: [1] Pin Number can be used in Arduino functions, like pinMode(),digitalWrite(),analogRead(),etc..

1.8 Schematic



Company: seedstudio.com	
TITLE: RFBee	
Document Number: 1	REV: 1.1
Date: 2010/8/16 0:56:46	Sheets: 1/1

2 Hardware Installation

The RFBee can be connected in various ways, e.g.:

- to a PC via USB using a UartSB device.
- to a Seeeduino (or Arduino) via an XbeeShield
- to any other device having a Uart port

Note: the UartSB device and the XbeeShield are sold separately.

>> UartSB: <http://www.seeedstudio.com/depot/uartsb-v22-a-much-more-powerful-usb-to-serial-converter-p-495.html>

>> XbeeShield: <http://www.seeedstudio.com/depot/xbee%C3%82%C2%AE-shield-v11-by-seeedstudio-p-419.html>



Figure 1: USB using UartSB

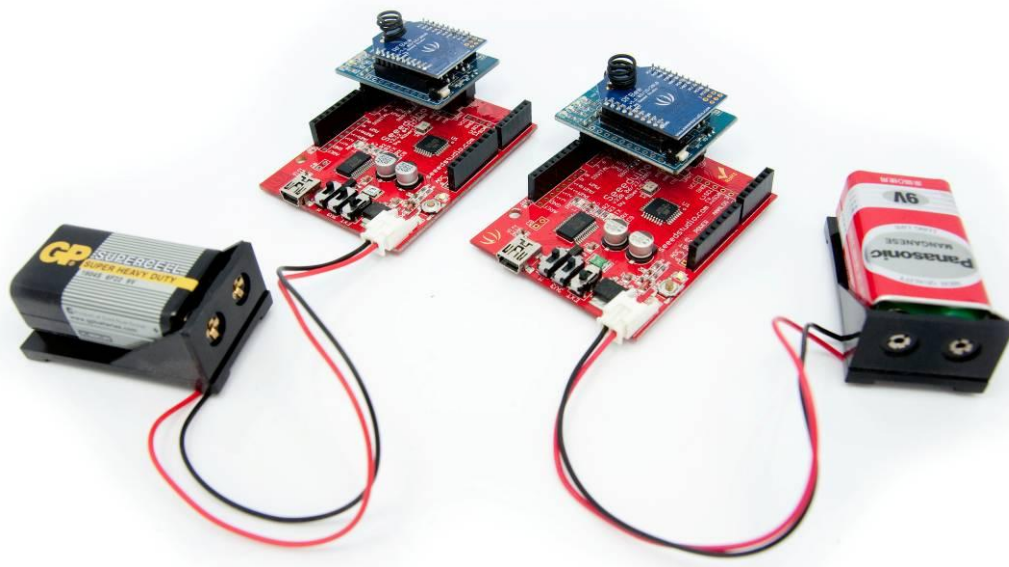


Figure 2: Seeduino via XbeeShield

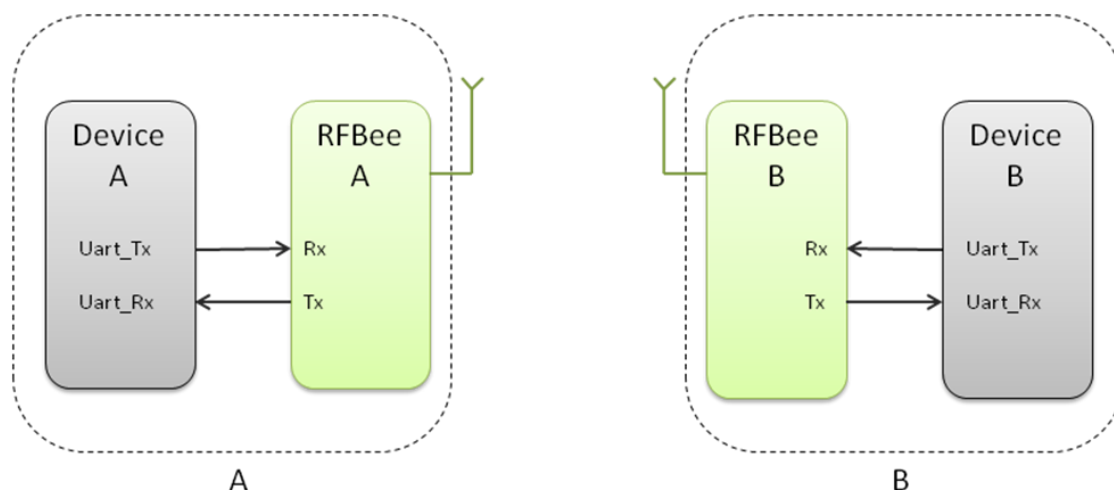


Figure 3: Any device using a Uart

3 Configuration

3.1 Version

This section documents the configuration of RFBee firmware version 1.1. You can check the version of your firmware by issuing the ATFV command.

3.2 Out of the box

When powered on, RFBee will send “ok” through serial port at 9600 baud. The default operation mode is “Transceive“ and the default sender and receiver address is 0. If you have two RFBee’s, any data submitted to the serial port of RFBee A will be emitted by the serial port of RFBee B.

3.3 AT Commands

The configuration of the RFBee can be modified using AT commands. At startup the RFBee is in data mode. To submit AT commands, the RFBee must be switched to command mode by sending three plus signs (“+++”).

When the RFBee receives the three plus signs on the serial port it will respond with: “ok, starting command mode”. The RFBee is now in command mode until switched back to data mode (using ATO0 see below) or power reset.

3.3.1 AT Format:

AT + Comand(ASCII) + parameters (optional, character)+<CR>

Where <CR> is Carriage Return which has binary value 13 (0x0D in Hex) .

Example:

- | | |
|-----------|--|
| +++ | - Go to command mode, the RFBee will return “ok, starting cmd mode” |
| ATBD1<CR> | - Set Uart Baudrate of the RFBee to 19200, returns “ok” on success and otherwise “error”. |
| ATBD<CR> | - Get Uart Baudrate of the RFBee, returns “1” and “ok” on success and otherwise “error”. |
| ATO0<CR> | - Go to datamode, the RFBee will return “ok” and any data send afterwards will be transmitted again. |

3.3.2 Supported commands:

Command		Parameter	Specification	Default	Type
Adressing	AC	0-2	Address Check: determines whether the RFBee checks the incoming packet address against its own address or not. If broadcast is enabled both its own address and the broadcast 0 address will be considered valid.	0	r/w
			0:No address check		
			1:Address check, no broadcast		
			2:Address check and broadcast		
MA	0-255	My Address: set the RFBee's own address.	0	r/w	
DA	0-255	Destination Address: set address of the receiver	0	r/w	
RF	PA	0-7	Power Amplifier: Set RF transmitting power.	7	r/w
			0:-30dBm		
			1:-20dBm		
			2:-15dBm		
			3:-10dBm		
			4:0dBm		
			5:5dBm		
			6:7dBm		
	7:10dBm				
	CF	0-5	Config: select radio config	0	r/w
			0: 915 Mhz, 76,8 Kbps, 2-FSK		
			1: 915 Mhz, 4.8 Kbps, GFSK, sensitivity		
			2: 915 Mhz, 4.8 Kbps, GFSK, low current		
			3: 868 Mhz, 76,8 Kbps, 2-FSK		
4: 868 Mhz, 4.8 Kbps, GFSK, sensitivity					
5: 868 Mhz, 4.8 Kbps, GFSK, low current					

Supported commands continued from previous page:

Command		Parameter	Specification	Default	Type
Serial	BD	0-3	BaudRate: Set Uart Baudrate of the RFBee.	0	r/w
			0: 9600bps		
			1: 19200bps		
			2: 38400bps		
	3: 115200bps				
	TH	0-32	Threshold: Set threshold in bytes that will trigger RFBee to start transmission.	1	r/w
	OF	0-3	Output format (see also section below)	0	r/w
0: payload only					
1: source, dest, payload					
2: payload len, source, dest, payload, rssi, lqi					
	3: same as 2, but all except for payload as decimal and separated by comma's				
Mode	MD	0-3	Mode: Set working mode of the RFBee.	0	r/w
			0:transceive		
			1:transmit only		
			2:receive only		
	3:lowpower (using Wake-On-Radio)				
	O	0	Online: return to data mode		w
	SL	-	Sleep: Put the RFBee to sleep to reduce power consumption, the Atmega will be in SLEEP_MODE_IDLE, the CC1101 in SPWD, activity on the serial port will wake the RFBee again.		w
Diagnostics	FV	-	Firmware version	1.1	r
	HV	-	Hardware version	<x>.<y>	r
Miscellaneous	RS	-	Restore: restore the configuration to default settings.	-	w

3.3.3 Output format

Using ATOF it is possible to change the output format of data packets received.

ATOF set to 0:

Payload

ATOF set to 1:

Source address (1 byte)	Destination address (1 byte)	Payload
----------------------------	---------------------------------	---------

ATOF set to 2:

Source address (1 byte)	Destination address (1byte)	Payload length (1 byte)	Payload	RSSI (1 byte)	LQI (1 byte)
----------------------------	--------------------------------	----------------------------	---------	------------------	-----------------

ATOF set to 3:

As ATOF2, but now all byte values (except Payload) displayed as decimal and all fields separated by comma's.

RSSI: Received Signal Strength Indicator. One byte signed data, unit dBm.

LQI: Link quality indicator. One byte data, see CC1101 datasheet for details.

3.4 Broadcasting

When every RFBee has it's a unique address assigned (e.g. 1,2,3 and 4 if you have 4 RFBees) there are two ways to let all RFBee's receive the same packets:

1. Set ATAC to 0: this will disable address checking and all RFBee's will receive all packets sent. Downside of this is that any "private" communication between e.g. 2 and 3 will always show up at 1 and 4.
2. Set ATAC to 2: this will enable address checking including broadcasts. This will enable private communication between RFBee's (e.g. packets between 2 and 3 will not show up at 1 and 4). The RFBee sending the broadcast must set the destination address to 0. Packets with destination address 0 will be received by all four RFBee's.

4 How to update firmware

You can update the RFBee firmware using the Arduino IDE using the procedure below. This procedure assumes the use of UartSB as this is the easiest way to connect a RFBee to a PC, see the section on Hardware installation for different ways to connect.

1. Connect your RFBee to UartSB, move switches to XBee and 3.3v, then connect it to your computer through a USB cable.
2. Download the source code of the RFBee firmware into your Arduino sketch folder
3. Open the Arduino IDE and open the RFBee_vx_x project. Then select Tools->Board->Arduino Pro or Pro Mini (3.3v, 8MHz) w/ATmega168. Choose the correct serial port from the Tools menu. You can now upload your RFBee firmware.
4. Reapply the configuration changes in the RFBee if they got lost during the update.
5. You could add or modify the firmware upon your demands, as the RFBee is able to work standalone as an Arduino.

>>RFBee firmware: <http://code.google.com/p/rfbee/downloads/list>

5 Revision History

Rev.	Descriptions	Release date
V1.0	Initial design, by Icing	2010/03/05
V1.01	Modify AT command DR and MD specifications, by Icing	2010/03/15
V1.02	Correct AC parameter, and firmware update process, by Icing	2010/05/01
V1.1	Major rework due to V1.1 firmware, by Hans and Icing	2010/08/27

X-ON Electronics

Largest Supplier of Electrical and Electronic Components

Click to view similar products for [RF Modules](#) category:

Click to view products by [Seeed Studio](#) manufacturer:

Other Similar products are found below :

[HMC-C009](#) [nRF24L01P-MODULE-PCB](#) [HMC-C001](#) [HMC-C021](#) [HMC-C024](#) [XB9XT-DPRS-721](#) [XBP9B-DMUTB022](#) [nRF24L01P-MODULE-SMA](#) [CMD-KEY2-418-CRE](#) [XM-C92-2P-UA](#) [XB9XT-DPUS-721](#) [V640-A90](#) [HMC-C583](#) [MAAM-008818-TR3000](#) [MTSMC-H5-U](#) [SIMSA868-PRO](#) [SIMSA915C-PRO](#) [SIMSA868C-PRO](#) [SIMSA433C-PRO](#) [SIMSA915-PRO](#) [XBP9B-DMUT-042](#) [HMC-C582](#) [HMC-C022](#) [XBP9B-DPST-041](#) [XBP9B-DMWT-042](#)