

Raspberry Pi B+ Case



The acrylic case is used for raspberry pi B+, It's made of acrylic sheet. manufacture by laser cutting, CNC milling, and hot bending. almost all handmade, Looks very compact and beautiful, Only 4 pieces sheets in total, so easy to assembled. It's strong enough, not easy break like other 6 acrylic sheets case. In the box rounded corners and beveled edges .you will feel very comfortable when you hold it.



Feature

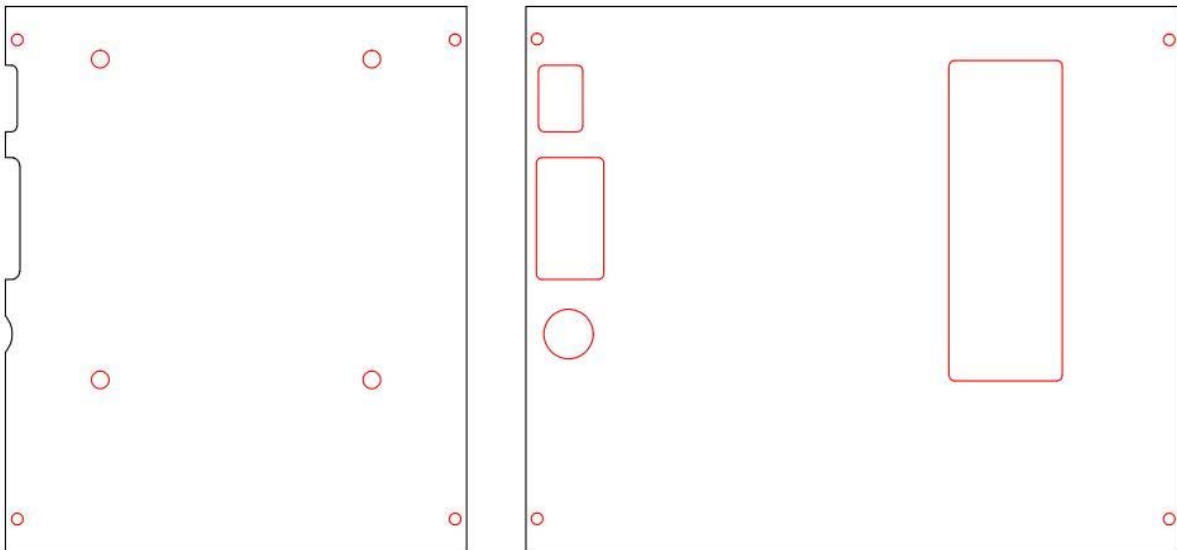
- Simple structure
- Easy to assemble
- Compact appearance

How to made the case about seedstudio

It's different from the others case just like 6-acrylic sheets laser cutting case and injection model. Although it's cheap and fast made, But maybe some people think it no personality. Now,there is a case for Raspberry PI B+ is out of the common, it's designed by seedstudio engineer. It's not made by large scale way just like injection model and simple laser cutting. Made the case requires 3 kinds of production process——laser cutting ,CNC milling and hot bending. all the processes are suitable for small scale project.

The first process——Laser Cutting

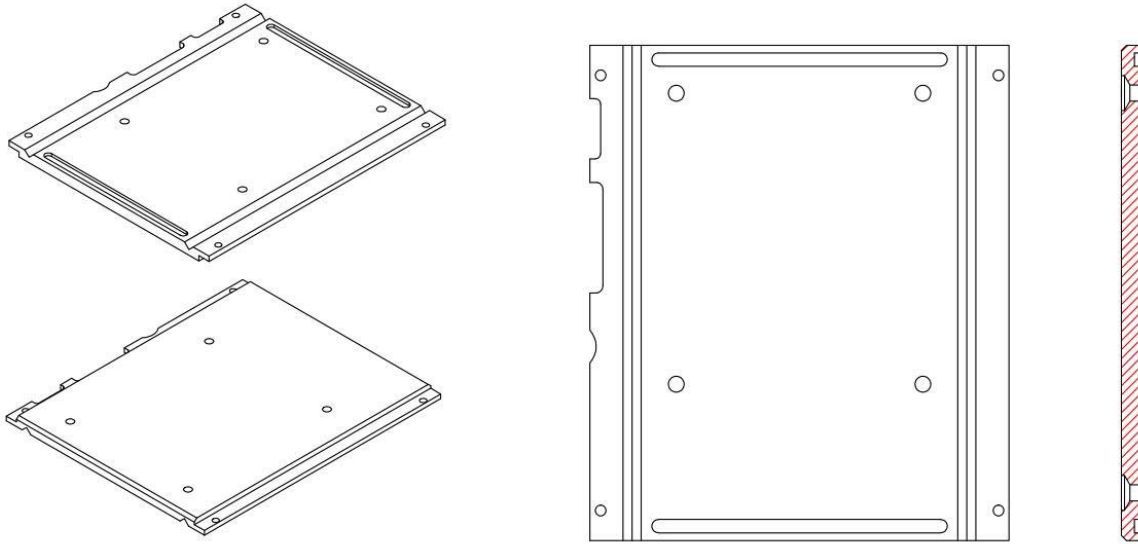
We should cutting it by laser cutting machine, It's cheap and fast.



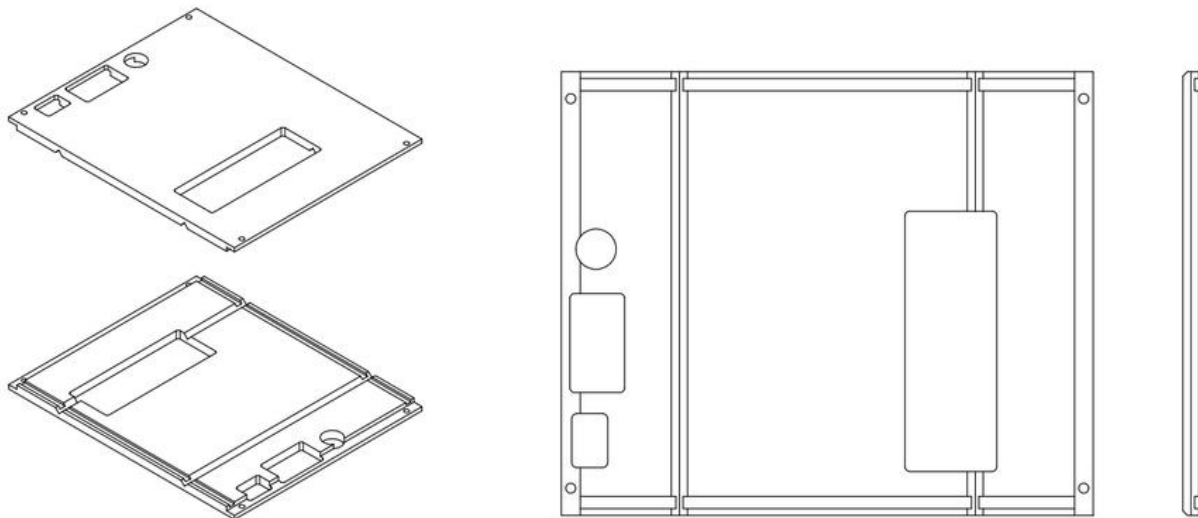
Laser cutting drawing

The second process—CNC milling

After laser cutting you we should cutting some structure let it easy assembly and bending.



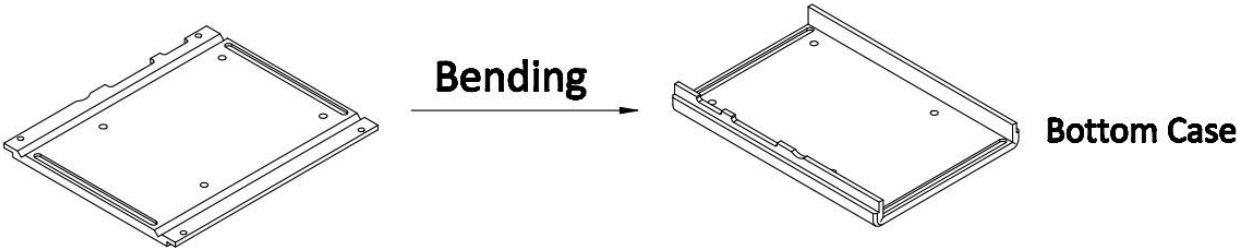
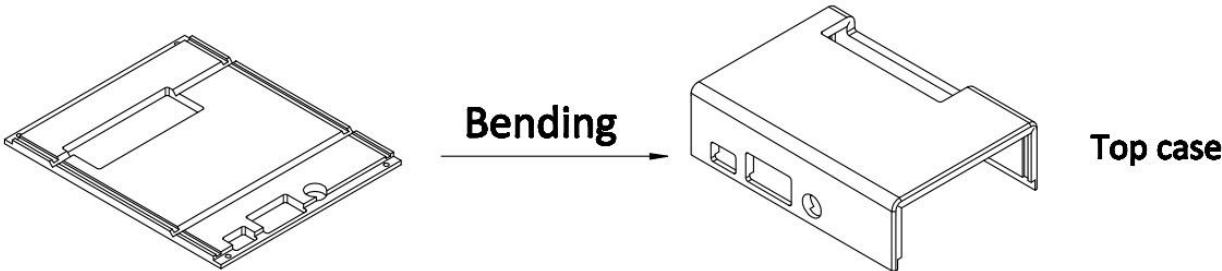
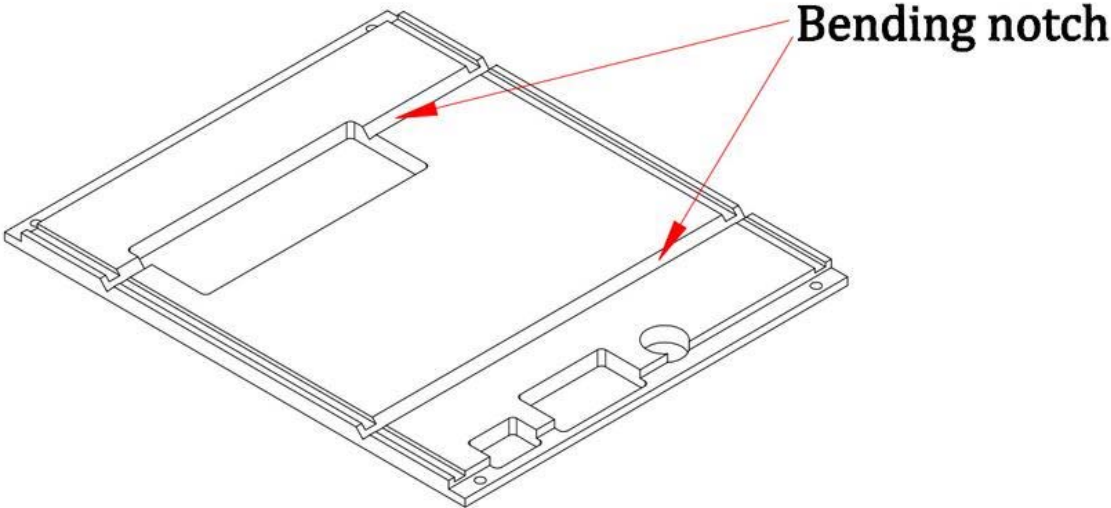
Bottom case CNC milling



Top case CNC milling

The third process—hot bending

The last process is hot bending, We can use the heater heating the acrylic notch which is machined by CNC milling machine.

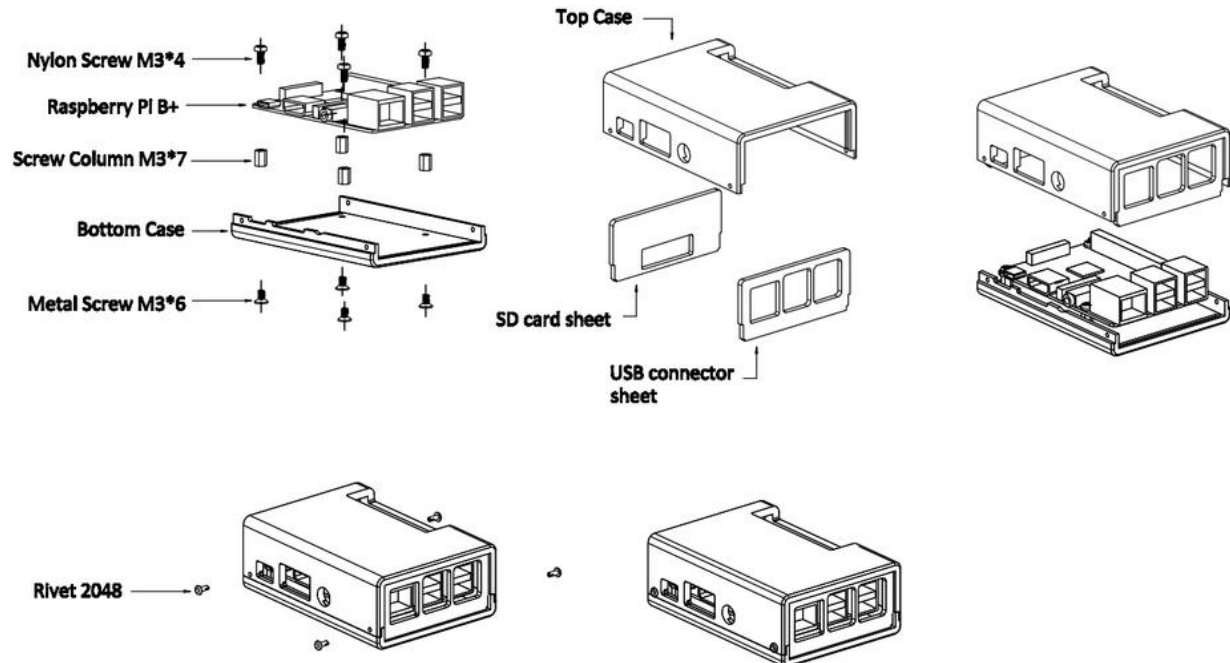


After you know the 3 processes maybe you can understand why we said it's out of the common.



Usage

Assembly diagram is as follows:



| Part | Package | Qty |
|---------------------|-----------------|-----|
| Top Case | 4mm Thickness | 1 |
| Bottom Case | 4mm Thickness | 1 |
| SD Card Sheet | 2.5mm Thickness | 1 |
| USB Connector Sheet | 2.5mm Thickness | 1 |
| Metal Screw | M3*4 | 4 |
| Nylon Screw | M3*6 | 4 |
| Screw Column | M3*7 | 4 |
| Nylon Rivet | R2048 | 4 |
| Silicone Cushion | Ø10X3 | 4 |

Tech Support

Please submit any technical issue into our forum.

X-ON Electronics

Largest Supplier of Electrical and Electronic Components

Click to view similar products for [Seeed Studio Accessories](#) category:

Click to view products by [Seeed Studio](#) manufacturer:

Other Similar products are found below :

[101990565](#) [114992282](#) [114992268](#) [101990647](#) [103060000](#) [101020004](#) [101020006](#)

[101020012](#) [101020018](#) [101020028](#) [101020038](#) [101020045](#) [101020049](#) [101020052](#)

[101020055](#) [101020056](#) [101020058](#) [101020472](#) [101020580](#) [101020603](#) [101990007](#)

[101990028](#) [101990053](#) [101990058](#) [101990059](#)