

Water Flow Sensor YF-B1

SKU 114991171



Description

Water flow sensor consists of a copper body, a water rotor, and a hall-effect sensor. When water flows through the rotor, rotor rolls. Its speed changes with different rate of flow. The hall-effect sensor outputs the corresponding pulse signal. This one is suitable to detect flow in water dispenser or coffee machine.

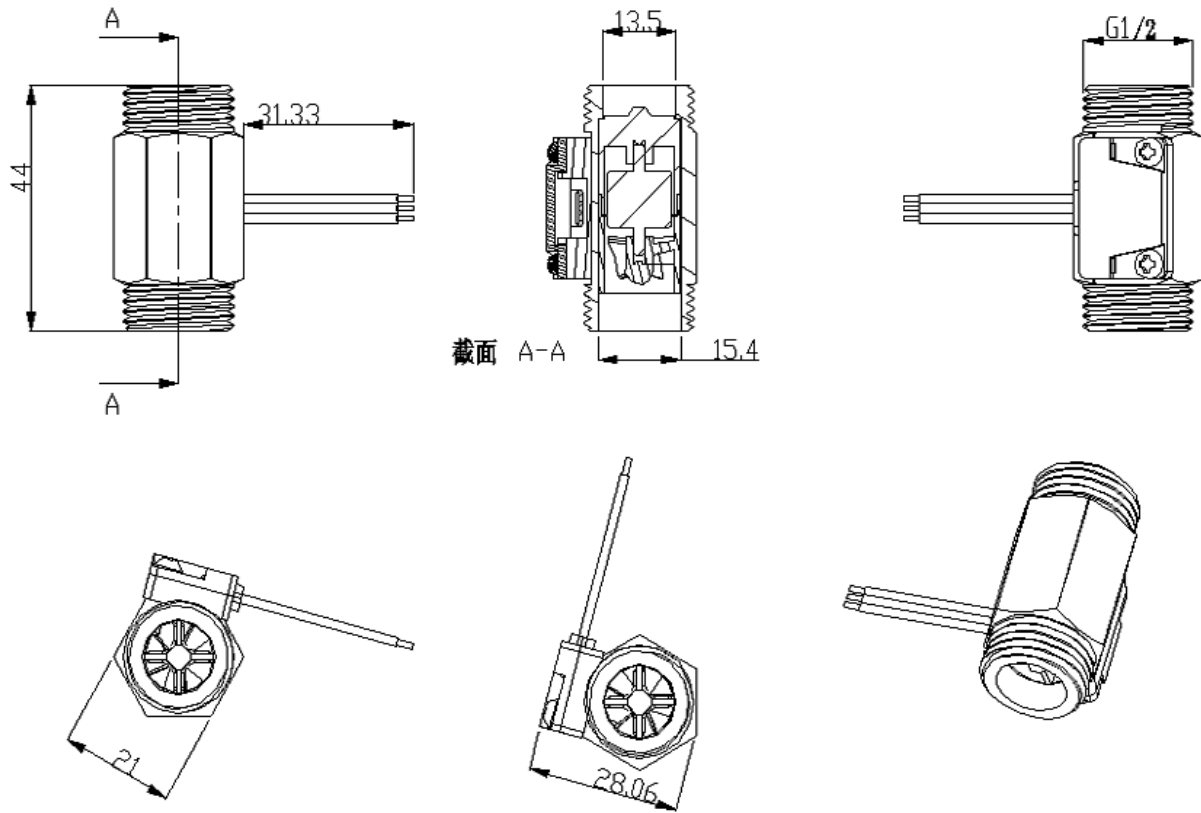
Life is longer than plastic body.

Features

- Compact, Easy to Install
- High Sealing Performance
- High Quality Hall Effect Sensor
- RoHS Compliant

Specifications

- Mini. Working Voltage: DC 4.5V
- Max. Working Current: 15mA (DC 5V)
- Working Voltage: DC 5V~15V
- Flow Rate Range: 1~25L/min
- Frequency: $F=11*Q(Q=L/MIN)$
- Load Capacity: $\leq 10mA$ (DC 5V)
- Operating Temperature: $\leq 80^{\circ}C$
- Liquid Temperature: $\leq 120^{\circ}C$
- Operating Humidity: 35%~90%RH
- Water Pressure: $\leq 1.75MPa$
- Storage Temperature: $-25 \sim + 80^{\circ}C$
- Storage Humidity: 25%~95%RH



Part List

1 x YF-B1 water flow sensor

X-ON Electronics

Largest Supplier of Electrical and Electronic Components

Click to view similar products for [Multiple Function Sensor Development Tools](#) category:

Click to view products by [Seeed Studio](#) manufacturer:

Other Similar products are found below :

[PTC04_sensors_multi_calibration_board](#) [RD-KL25-AGMP01](#) [PTC-04-DB-ACT](#) [PTC-04-DB-SPI01](#) [PTC-04-DB-HALL05](#) [FRDM-K22F-SA9500](#) [PTC-04-DB-HALL01](#) [PTC-testbench-Magnetic](#) [GP30-DEV-KIT-F01](#) [EV_ICM-20649](#) [MULTI-SENSE-GEVB](#) [FRDM-STBC-SA9500](#) [BRKT-STBC-SA9500](#) [3397](#) [STEVAL-MKIT01V1](#) [EVAL-CN0411-ARDZ](#) [SEN0004](#) [KT-TVOC-200-TB200A](#) [KT-NmHc-200-TB200A](#) [PIM520](#) [PIM518](#) [PIM519](#) [PIM510](#) [103030375](#) [AKX00026](#)