



DIN 70mm

Features :

- 3Ø True RMS (Voltage, Current)
- 3Ø Power (Active, Reactive, Apparent)
- Import / Export Active, Reactive Energy, Apparent Energy
- Programmable CT / PT Primary / Secondary
- Modbus RTU Communication (RS485)
- Max / Min Demand Power

Certification : **CE**

Display Specifications

Display	3 rows, LCD with Backlight
Digits	1 row of 4 digits 2 rows of 7 digits
LED Indications	Integration of Energy (1000 Pulses / kWh)

Input Specifications

Electrical Connection	3Ø - 3 wire, 3Ø - 4 wire, 2Ø - 3 wire, 1Ø - 2 wire
Input Voltage Range	11 to 300V AC (L - N) 19 to 519V AC (L - L)
Input Current Range	Nominal 5A AC (Min - 11mA, Max - 6A)
Frequency	45 to 65Hz
Display Scrolling	Automatic / Manual / Default
Power Consumption	8VA max
Display Reset	Programmable (For energy)
Resolution	For energy : 0.01k, 0.1k, 1k, 0.01M, 0.1M, 1M (depending upon CT ratio x PT ratio) For Power, Voltage, Current : Auto Resolution For Power Factor : 0.01
Accuracy	Voltage (L - N / L - L) : ±0.5% of F.S. Current : ±0.5% of F.S. Power Factor : ±0.01 Frequency : ±0.1% For L - N Voltage >20V For L - L Voltage >35V Power (Active, Reactive, Apparent) : 1% Energy (Active, Reactive, Apparent) : Class 1
Memory Retention	10 years (For energy)
Measuring Parameters	Voltage (L - L / L - N) (Individual / Average), Current (Individual / Average), Frequency, Power Factor (Individual / Total) Active, Reactive & Apparent power (Individual / Total), Active, Reactive, Apparent Energy (Import / Export), Demand (Min / Max Active Power, Min / Max Reactive Power, Max Apparent Power)

Output Specifications

Communication Interface and Protocol	RS485 and MODBUS RTU
Communication Address	1 to 255
Transmission Mode	Half duplex
Transmission Distance	500 meter maximum
Transmission Speed	300, 600, 1200, 2400, 4800, 9600, 19200 (in bps)
Parity	None, Odd, Even
Stop Bits	1 or 2
Response Time	100ms (max and independent of baud rate)

Auxiliary Supply Specifications

Supply Voltage	85 to 270V AC, (50 / 60Hz)
----------------	----------------------------

Settable Parameters

CT Primary	1 / 5A to 10kA (Programmable for any value)
CT Secondary	1 / 5A (Programmable)
PT Primary	100V to 500kV (Programmable for any value)
PT Secondary	100V to 500V (Programmable for any value)

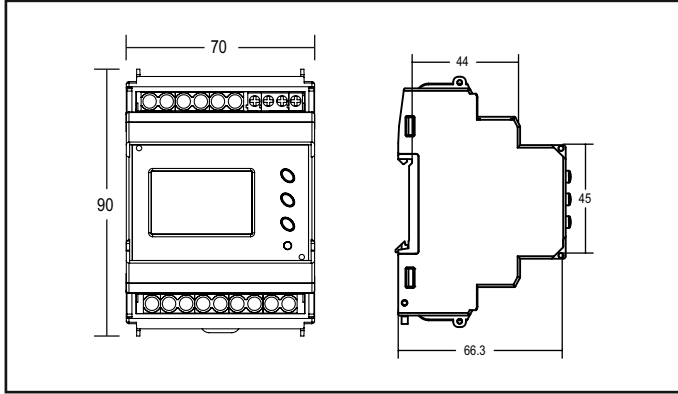
Environmental Specifications

Temperature	Operating Temperature : -5° to 60°C Storage Temperature : -20° to 75°C
Humidity (non - condensing)	Upto 85% RH

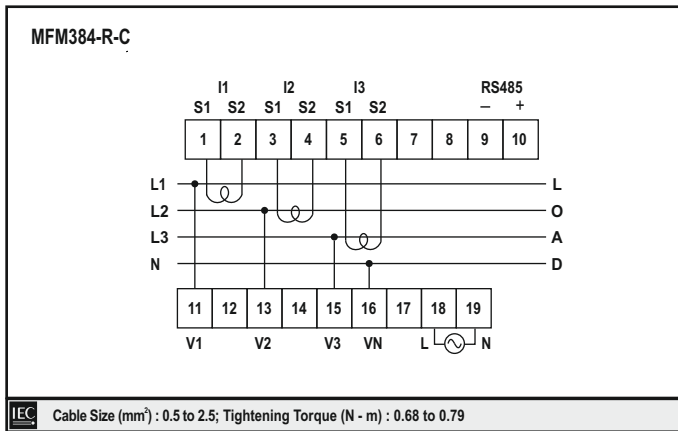
Mechanical Specifications

Mounting	Din Rail
Weight	208gms

Dimensions (All dimensions are in mm)



Terminal Connection



Compliance

Applicable EMI / EMC Standards		
Product Standard : IEC 61326 - 1		
Category		Standards Compliance
ESD Immunity	IEC 61000 - 4 - 2	Level IV (Air Discharge : 15kV), (Contact Discharge : -8kV)
Surge Immunity	IEC 61000 - 4 - 5	+ / - 2kV Common Mode, (Line to Ground) + / - 1kV Differential Mode, (Line to Line)
Radiated Susceptibility	IEC 61000 - 4 - 3	Level III, 80 to 1000MHz (10V / m) Level II, 1.4GHz to 2GHz (3V / m) Level I, 2GHz to 2.7GHz (1V / m)
Conducted Susceptibility	IEC 61000 - 4 - 6	Level II (3V / m)
Voltage Dips and Interruptions	IEC 61000 - 4 - 11	Dips : 0% residual voltage / 1 cycle (Criteria B), 40% residual voltage / 10 cycles 50Hz / 12 cycles 60Hz (Criteria C) 70% residual voltage / 25 cycles 50Hz / 30 cycles 60Hz (Criteria C) Interruptions : 0% residual voltage / 250 cycles 50Hz / 300 cycles 60Hz (Criteria C)
Conducted Emission	CISPR - 11	
Radiated Emission	CISPR - 11	
Electrical Fast Transient	IEC 61000 - 4 - 4	Level III (2kV)

Ordering Information

Product Code	Supply Voltage	Output	Certification
	85 to 270V AC	Comm. (RS485)	
MFM384-R-C	Yes	Yes	---
MFM384-R-C-CE	Yes	Yes	CE

X-ON Electronics

Largest Supplier of Electrical and Electronic Components

Click to view similar products for [SELEC manufacturer](#):

Other Similar products are found below :

[AM-I-2-5-CE](#) [AM-I-3-5-250-CE](#) [AM-I-3-5-CE](#) [AM-I-D-2-100A-CE](#) [AM-I-D-2-10A-CE](#) [AM-I-D-2-20A-CE](#) [AM-I-D-2-30A-CE](#) [AM-I-D-2-40A-CE](#) [AM-I-D-2-50A-CE](#) [AM-V-2-L-CE](#) [AM-V-2-N-CE](#) [AM-V-3-L-CE](#) [AM-V-3-N-CE](#) [APFC146-112-90/550V-CE](#) [APFC147-108-90/550V-CE](#) [APFC148-312-90/550V-CE](#) [APFC347-108-230V-CE-ROHS](#) [EM2M-1P-C-100A-CE](#) [EM368-C-CU](#) [EM4M-3P-C-100A](#) [IPCOVER-2](#) [IPCOVER-3](#) [MA12-CU](#) [MA2301-230V-CE](#) [MA501-230V-CE](#) [MFM284-C-CE](#) [MFM376-C-CE-ROHS](#) [MFM383A-C-CE](#) [MFM384-C-CU-G-ROHS](#) [MFM384-R-C-CE](#) [MV15-230V-CE](#) [MV2307-CU](#) [SCL-AM-I-2-1000/5A](#) [SCL-AM-I-2-100/5A](#) [SCL-AM-I-2-125/5A](#) [SCL-AM-I-2-1600/5A](#) [SCL-AM-I-2-200/5A](#) [SCL-AM-I-2-300/5A](#) [SCL-AM-I-2-30/5A](#) [SCL-AM-I-2-400/5A](#) [SCL-AM-I-2-600/5A](#) [SCL-AM-I-2-60/5A](#) [SCL-AM-I-2-75/5A](#) [SCL-AM-I-2-800/5A](#) [SCL-AM-I-3-1000/5A](#) [SCL-AM-I-3-100/5A](#) [SCL-AM-I-3-125/5A](#) [SCL-AM-I-3-150/5A](#) [SCL-AM-I-3-1600/5A](#) [SCL-AM-I-3-200/5A](#)