



**Features :**

- 6 digits Counter, 4 digits RPM Indicator
- LED Indications : Relay 1, Relay 2, Rate, Batch
- Dual Set Point
- Programmable Input Scaling
- User configurable Relay 2 operation mode
- User configurable Rate / Batch
- Unidirectional, Bi - directional & Quadrature mode with up / down selection
- RS485 Communication with MODBUS RTU Protocol (Optional)

Certification :

**Display Specifications**

Display	6 digits for Counter, 4 digits for RPM Indicator
LED Indications	1 : Relay1, 2 : Relay2, Rt : Rate Bt : Batch

**Input Specifications**

Sensor Type	NPN / PNP
Input Type	Voltage pulse (5 to 30V DC) from Proximity switches, Encoders, Solid state devices, Potential free contact
Input Speed	a) 0 to 30Hz b) 0 to 5kHz
Accuracy	Rate : 0.05% ± 2 counts

**Output Specifications**

Sensor Supply	Inbuilt, 12V DC, 30mA
Relay Contact	2 C/O DPDT
Contact Rating	5A @ 230V AC / 24V DC

**Functional Specifications**

Modes	ON delay / Interval / Auto reset / Time pulse repeat
Ranges	Count : Selectable least count 0.0001, 0.001, 0.01, 0.1 & 1 Rate : Auto ranging 4.00 to 9999 RPS, RPM or RPH mode
Set point	2
Counting Mode	Unidirectional, Bidirectional, Quadrature
Counting Direction	Up / Down
Memory Retention	Yes
Scale Factor	0.00001 to 9.99999 x 10 <sup>n</sup> n = -5, -4, -3, -2, -1, 0, 1, 2
Reset	Front (user selectable), Remote

**Optional Specifications**

Interface and Protocol	RS485 Communication MODBUS RTU Protocol
Communication address	0 to 250
Transmission mode	Half duplex
Transmission distance	50Meter
Transmission speed	9600, 19200, 38400, 57600, 115200 (in bps)
Parity	None
Stop bits	2

**Auxiliary Supply Specifications**

Supply Voltage	90 to 270V AC / DC (50 / 60Hz)
Power Consumption	6VA max

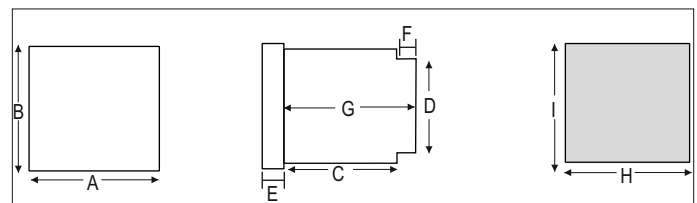
**Environmental Specifications**

Temperature	Operating : 0 to 50°C (32 to 122°F) Storage : -20 to 75°C (-4 to 167°F)
Humidity (non - condensing)	95% RH

**Mechanical Specifications**

Mounting	Panel Mount
Weight	XC2200 / XC2200-C - 228.53gms XC3200 / XC3200-C - 263gms

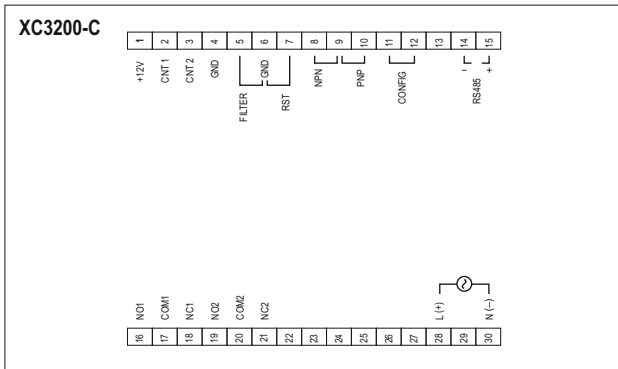
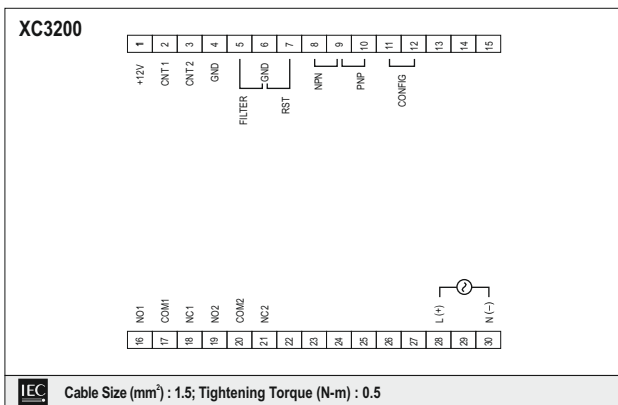
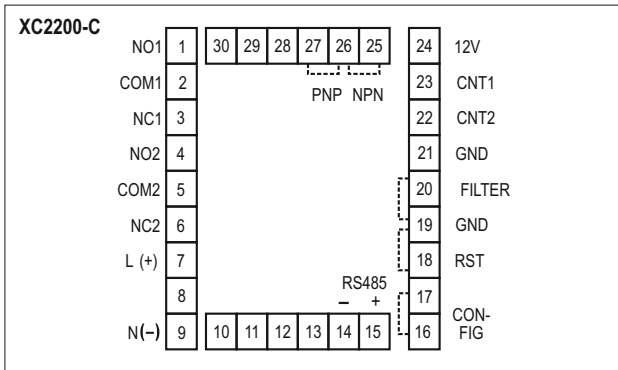
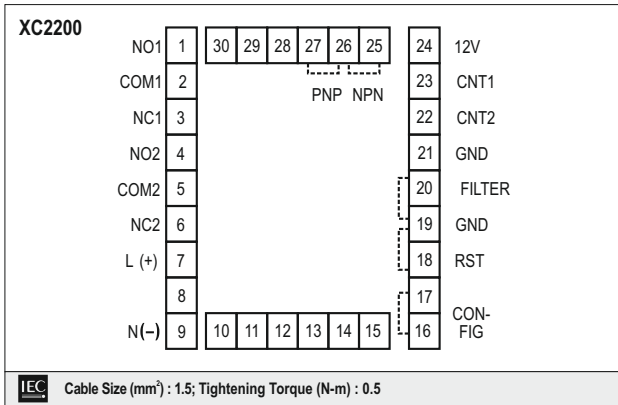
**Dimensions**



MODELS	A	B	C	D	E	F	G	H	I
XC2200	72	72	74	61	3	3	91	67	67
XC3200	96	96	45.5	90.5	13	13	55	90.5	90.5

All dimensions are in mm

Terminal Connections



Compliance

Applicable EMI / EMC Standards		
Product Standard		
Category	Reference Standards	Testing Level
Electrostatic Discharge	IEC 61000-4-2	Level-3
Electrical Fast Transient / Burst	IEC 61000-4-4	Level-3
Electromagnetic Field	IEC 61000-4-3	Level-3
Surge	IEC 61000-4-5	Level-3
Conducted RF	IEC 61000-4-6	Level-2
Rated Power Frequency	IEC 61000-4-8	Level-4
Voltage Dip / Short Interruptions	IEC 61000-4-11	Level-3
Conducted Emissions	CISPR-11	Class-B
Rated Emissions	CISPR-22	Class-A
Emission & Immunity	IEC 61326-1	
Safety	IEC 61010-1	
PFMF (Passing criteria)	IEC 61000-4-8	Class A

Ordering Information

Product Code	Supply Voltage	Communication (RS485)	Certification
XC2200	90 to 270V AC / DC	---	---
XC2200-C	90 to 270V AC / DC	Yes	---
XC2200-CE	90 to 270V AC / DC	---	CE
XC3200	90 to 270V AC / DC	---	---
XC3200-C	90 to 270V AC / DC	Yes	---
XC3200-CE	90 to 270V AC / DC	---	CE

## X-ON Electronics

Largest Supplier of Electrical and Electronic Components

*Click to view similar products for [SELEC manufacturer](#):*

Other Similar products are found below :

[SPCT 100/60 600/5 A VA 7.5 CL 1](#) [SPCT 62/30 60/5A VA1 CL 3](#) [SPCT 62/40 160/5 A VA 1.5 CL 1](#) [SPCT 62/40 250/5 A VA 3 CL 1](#) [SPCT 62/40 300/5 A VA 3 CL 0.5](#) [SCL-AM-I-2-100/5A](#) [SCL-AM-I-2-1000/5A](#) [SCL-AM-I-2-30/5A](#) [SCL-AM-I-2-300/5A](#) [SCL-AM-I-2-400/5A](#) [SCL-AM-I-3-100/5A](#) [SCL-AM-I-3-150/5A](#) [SCL-AM-I-3-200/5A](#) [SCL-AM-I-3-30/5A](#) [SCL-AM-I-3-400/5A](#) [SCL-AM-I-3-600/5A](#) [SCL-AM-I-3-800/5A](#) [AM-I-2-5-CE](#) [APFC146-112-90/550V-CE](#) [APFC147-108-90/550V-CE](#) [APFC148-312-90/550V-CE](#) [APFC347-108-230V-CE-ROHS](#) [SMRD4M1-2-U-CE](#) [IPCOVER-3](#) [EM368-C-CU](#) [EM4M-3P-C-100A](#) [MFM284-C-CE](#) [XC1200-CU](#) [XC3200-CE-ROHS](#) [XTC5400-CU](#) [SPCT 100/60 1200/5A VA 15 CL 0.5](#) [SPCT 100/60 1000/5A VA 15 CL 0.5](#) [SPCT 100/60 600/5 A VA 5 CL 0.5](#) [SPCT 100/60 800/5 A VA 10 CL 0.5](#) [SPCT 140/100 1200/5A VA 15 CL 0.5](#) [SPCT 140/100 1250/5A VA 15 CL 0.5](#) [SPCT 140/100 1500/5A VA 15 CL 0.5](#) [SPCT 140/100 1600/5A VA 15 CL 0.5](#) [SPCT 140/100 1000/5A VA 15 CL 0.5](#) [SPCT 140/100 2500/5A VA 15 CL 0.5](#) [SPCT 140/100 2000/5A VA 15 CL 0.5](#) [SPCT 140/100 3000/5A VA 15 CL 0.5](#) [SPCT 140/100 800/5A VA 15 CL 0.5](#) [SPCT 62/30 75/5A VA1 CL 3](#) [SPCT 62/30 75/5A VA3 CL 3](#) [SPCT 62/40 125/5 A VA 1 CL 1](#) [SPCT 62/40 200/5 A VA 2,5 CL 0,5](#) [SPCT 62/40 200/5 A VA 3 CL 1](#) [SPCT 62/40 400/5 A VA 3.75 CL 0.5](#) [SCL-AM-I-2-1600/5A](#)