

## FEATURES

- Wide operating Voltages(V1mA):form 18V to 680V.
- Fast response to transient over-voltage and limited current.
- Low Clamping ratio and no follow-on current.
- Capable of absorbing high transient energies.

## APPLICATIONS

- Transistor, Diode, IC, Thyristor or Triac semiconductor protection.
- Consumer electronics.
- Industrial electronics.
- Electronic home appliances, gas and petroleum appliances.
- Relay and electromagnetic valve surge absorption.

## GENERAL CHARACTERISTICS DEFINITION

- Operating Temperature:  $-40^{\circ}\text{C}\sim+85^{\circ}\text{C}$ .
- Storage Temperature:  $-40^{\circ}\text{C}\sim+125^{\circ}\text{C}$ .
- Working Surface Temperature:  $+115^{\circ}\text{C}$ .
- Insulation Resistance:  $>100\text{M}\Omega$ .

## ORDERING INFORMATION

**05 D 180 L**

① ② ③ ④

- ①Size: 05:  $\phi 5.0\text{mm}$ ;
- ②Type: D: Disk, S: Square;
- ③Varistor voltage: 180: $180\times 10^0=18\text{V}$ ;
- ④ Tolerance,  $K=\pm 10\%$ , or customer special requirement;

## PACKAGING

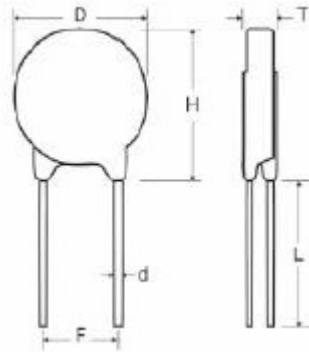
Model	Component Package	Quantity
05D180L	5.0mm	1000

### ELECTRICAL CHARACTERISTIC

Part Number Φ5.0mm	Maximum allowable voltage		Varistor voltage V1.0mA (V)	Clamping voltage (Max.)		Maximum peak current (8/20μs)		Maximum Energy current (10/1000μs)		Rated power (W)	Typical capacitance (Reference) @1KHz(pf)
	AC(V)	DC (V)		VC (V)	IP (A)	Stand ard (A)	High surge (A)	Stand ard (J)	High surge (J)		
05D180L	10	14	18(15-21)	38	1	100	250	0.4	0.6	0.01	1400

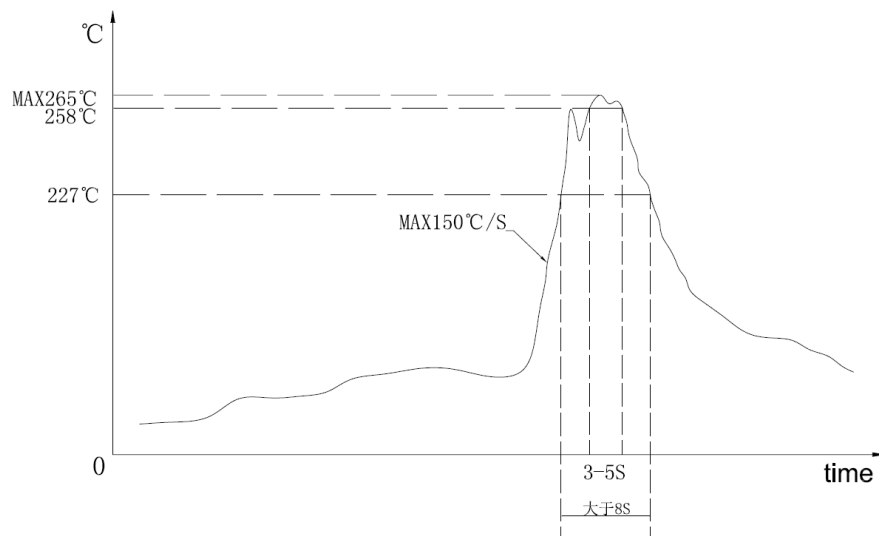
### DIMENSION

(unit: mm)



Part No.	D Max.	H Max.	L Min.	F±0.8	d±0.05	T Max.
05D180L	7.0	10	20	5	0.6	3.8

### WAVE-SOLDERING



## X-ON Electronics

Largest Supplier of Electrical and Electronic Components

*Click to view similar products for [Varistors](#) category:*

*Click to view products by [SEMBO](#) manufacturer:*

Other Similar products are found below :

[820443211E](#) [MOV05131AIA](#) [MOV07231AQA](#) [MOV18131CZA](#) [R71ZOV151HC](#) [D58ZOV500RA01T1](#) [B72205S271K111](#)  
[B72214S110K151](#) [B72214S251K151](#) [B72232B131K1](#) [B72280B271K1](#) [B72530E1140S272](#) [B72540E250K62](#) [B72650M0151K093](#)  
[B72660M0271K093](#) [NTE1V020](#) [NTE1V130](#) [NTE2V010](#) [NTE2V130](#) [238159352716](#) [25FN511K](#) [S10K11G5S5](#) [ERZ-C14DK361U](#) [ERZ-](#)  
[C20DK221U](#) [ERZ-C32CK201B](#) [207869-1](#) [AS-13](#) [TMOV25SP625E](#) [TND10V-471KB00AAA0](#) [B72210S251K531](#) [B72214S200K551](#)  
[B72280B112K1](#) [B72280B381K1](#) [B72590D360A60](#) [B72650M301K93](#) [B72670M1140K72](#) [MOV07251ARA](#) [MOV10131EDA](#)  
[MOV10151EFA](#) [MOV14151CWA](#) [MOV20251DFA](#) [TVZ18EC271KBS](#) [TVZ20EB911KBS](#) [TVZ25D201KBS](#) [TVZ25D241KBS](#)  
[VDRH20X230BSE](#) [VZ07D220KBS](#) [VZ40D241K](#) [VZ25D511KBS-N](#) [VZ20E511KBSX](#)