

FEATURES

- Wide operating Voltages(V1mA): form 18V to 820V.
- Fast response to transient over-voltage and limited current.
- Low Clamping ratio and no follow-on current.
- Capable of absorbing high transient energies.

APPLICATIONS

- Transistor, Diode, IC, Thyristor or Triac semiconductor protection.
- Consumer electronics.
- Industrial electronics.
- Electronic home appliances, gas and petroleum appliances.
- Relay and electromagnetic valve surge absorption.

GENERAL CHARACTERISTICS DEFINITION

- Operating Temperature: $-40^{\circ}\text{C}\sim+85^{\circ}\text{C}$.
- Storage Temperature: $-40^{\circ}\text{C}\sim+125^{\circ}\text{C}$.
- Working Surface Temperature: $+115^{\circ}\text{C}$.
- Insulation Resistance: $>100\text{M}\Omega$.

ORDERING INFORMATION

07 D 271 K
 ① ② ③ ④

- ① Size: 07: $\phi 7.0\text{mm}$;
- ② Type: D: Disk, S: Square;
- ③ Varistor voltage: $271\text{---}27\times 10^1=220\text{V}$;
- ④ Tolerance: K= $\pm 10\%$, L= $\pm 15\%$, M= $\pm 20\%$;

PACKAGING

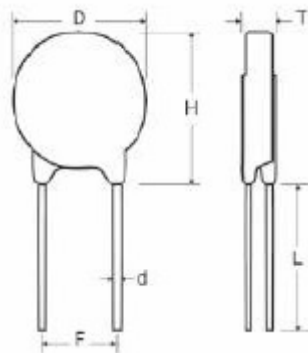
Model	Component Package	Quantity
07D271K	7.0mm	1000

ELECTRICAL CHARACTERISTIC

Part Number Φ7.0mm	Maximum allowable voltage		Varistor voltage V1mA (V)	Clamping voltage (Max.)		Maximum peak current (8/20μs) Standard (A)	Maximum peak current (8/20μs) Standard (J)	Rated power (W)	Typical capacitance (Reference) @1KHz(pf)
	AC.rms (V)	DC (V)		VC (V)	IP (A)				
07D271K	175	225	270(243-297)	455	10	1200	32.2	0.25	185

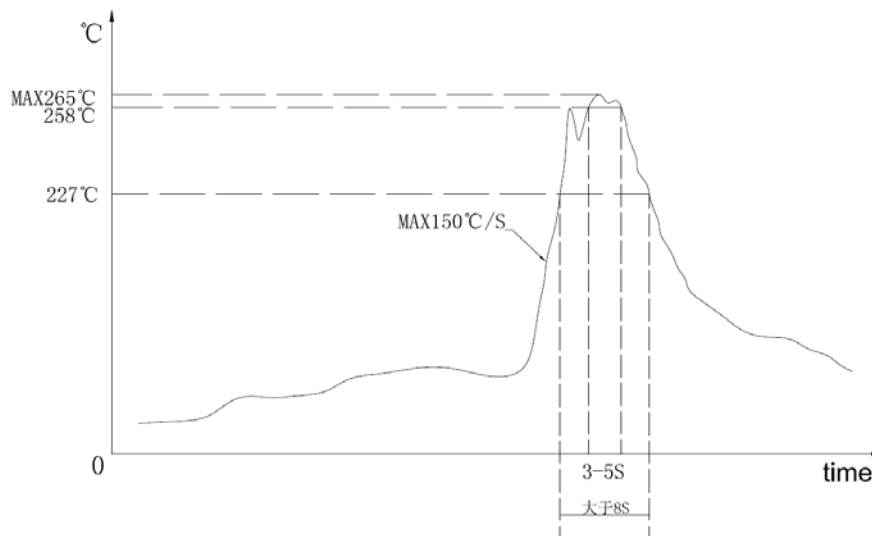
DIMENSION

(unit: mm)



Part No.	D Max.	H Max.	L Min.	F±0.8	d±0.05	T Max.
07D271K	9.0	11.0	20.0	5.0	0.6	4.9

WAVE-SOLDERING



X-ON Electronics

Largest Supplier of Electrical and Electronic Components

Click to view similar products for [Varistors](#) category:

Click to view products by [SEMBO](#) manufacturer:

Other Similar products are found below :

[820443211E](#) [MOV05131AIA](#) [MOV07231AQA](#) [MOV18131CZA](#) [R71ZOV151HC](#) [D58ZOV500RA01T1](#) [B72205S271K111](#)
[B72214S110K151](#) [B72214S251K151](#) [B72232B131K1](#) [B72280B271K1](#) [B72530E1140S272](#) [B72540E250K62](#) [B72650M0151K093](#)
[B72660M0271K093](#) [NTE1V020](#) [NTE1V130](#) [NTE2V010](#) [NTE2V130](#) [238159352716](#) [25FN511K](#) [S10K11G5S5](#) [ERZ-C14DK361U](#) [ERZ-](#)
[C20DK221U](#) [ERZ-C32CK201B](#) [207869-1](#) [AS-13](#) [TMOV25SP625E](#) [TND10V-471KB00AAA0](#) [B72210S251K531](#) [B72214S200K551](#)
[B72280B112K1](#) [B72280B381K1](#) [B72590D360A60](#) [B72650M301K93](#) [B72670M1140K72](#) [MOV07251ARA](#) [MOV10131EDA](#)
[MOV10151EFA](#) [MOV14151CWA](#) [MOV20251DFA](#) [TVZ18EC271KBS](#) [TVZ20EB911KBS](#) [TVZ25D201KBS](#) [TVZ25D241KBS](#)
[VDRH20X230BSE](#) [VZ07D220KBS](#) [VZ40D241K](#) [VZ25D511KBS-N](#) [VZ20E511KBSX](#)