

FEATURES

- Wide operating Voltages ranging from 5Vrms to 1000V(6Vdc to 1465Vdc).
- Fast response time of less than 25nS, instantly Clamping the transient over Voltage.
- High surge current handling capability.
- High energy absorption capability.
- Low Clamping voltages, providing better surge protection.

APPLICATIONS

- Transistor, Diode, IC, Thyristor or Triac semiconductor protection.
- Surge protection in consumer electronics.
- Surge protection in Industrial electronics.
- Surge protection in electronic home appliances, gas and petroleum appliances.
- Relay and electromagnetic valve surge absorption.

GENERAL CHARACTERISTICS DEFINITION

- Operating Temperature: $-40^{\circ}\text{C}\sim+85^{\circ}\text{C}$.
- Storage Temperature: $-40^{\circ}\text{C}\sim+125^{\circ}\text{C}$.
- Working Surface Temperature: $+115^{\circ}\text{C}$.
- Insulation Resistance: $>100\text{M}\Omega$.

ORDERING INFORMATION

10 D 220 K
① ② ③ ④

- ① Size: 10: $\phi 10.0\text{mm}$;
- ② Type: D: Disk, S: Square;
- ③ Varistor voltage: $220\text{---}22\times 10^1=220\text{V}$;
- ④ Tolerance: $\text{K}=\pm 10\%$, $\text{L}=\pm 15\%$, $\text{M}=\pm 20\%$;

PACKAGING

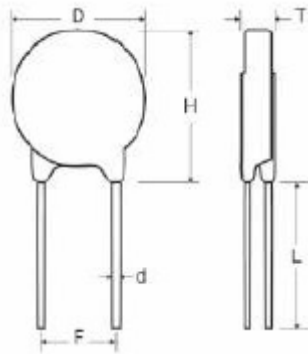
Model	Component Package	Quantity
10D220K	10.0mm	500

ELECTRICAL CHARACTERISTIC

Part Number	Maximum allowable voltage		Varistor voltage V1.0mA (V)	Clamping voltage (Max.)		Maximum peak current (8/20 μ s)		Maximum Energy current (10/1000 μ s)		Rated power (W)	Typical capacitance (Reference) @1KHz(pf)
	AC(V)	DC(V)		VC(V)	IP(A)	Standard(A)	High surge(A)	Standard(J)	High surge(J)		
10D220K	14	18	22(20-24)	43	5	250	500	4.5	5.0	0.05	4500

DIMENSIONS

(unit: mm)



Part No.	D Max.	H Max.	L Min.	F \pm 0.8	d \pm 0.05	T Max.
10D220K	12.5	16.5	25-30	7.5	0.8	4.7

X-ON Electronics

Largest Supplier of Electrical and Electronic Components

Click to view similar products for [Varistors](#) category:

Click to view products by [SEMBO](#) manufacturer:

Other Similar products are found below :

[820443211E](#) [MOV05131AIA](#) [MOV07231AQA](#) [MOV18131CZA](#) [R71ZOV151HC](#) [D58ZOV500RA01T1](#) [B72205S271K111](#)
[B72214S110K151](#) [B72214S251K151](#) [B72232B131K1](#) [B72280B271K1](#) [B72530E1140S272](#) [B72540E250K62](#) [B72650M0151K093](#)
[B72660M0271K093](#) [NTE1V020](#) [NTE1V130](#) [NTE2V010](#) [NTE2V130](#) [238159352716](#) [25FN511K](#) [S10K11G5S5](#) [ERZ-C14DK361U](#) [ERZ-](#)
[C20DK221U](#) [ERZ-C32CK201B](#) [207869-1](#) [AS-13](#) [TMOV25SP625E](#) [TND10V-471KB00AAA0](#) [B72210S251K531](#) [B72214S200K551](#)
[B72280B112K1](#) [B72280B381K1](#) [B72590D360A60](#) [B72650M301K93](#) [B72670M1140K72](#) [MOV07251ARA](#) [MOV10131EDA](#)
[MOV10151EFA](#) [MOV14151CWA](#) [MOV20251DFA](#) [TVZ18EC271KBS](#) [TVZ20EB911KBS](#) [TVZ25D201KBS](#) [TVZ25D241KBS](#)
[VDRH20X230BSE](#) [VZ07D220KBS](#) [VZ40D241K](#) [VZ25D511KBS-N](#) [VZ20E511KBSX](#)