

FEATURES

- Wide operating Voltages ranging from 5Vrms to 1000V(6Vdc to 1465Vdc).
- Fast response time of less than 25nS,instantly Clamping the transient over Voltage.
- High surge current handling capability.
- High energy absorption capability.
- Low Clamping voltages, providing better surge protection.

APPLICATIONS

- Transistor, Diode, IC, Thyristor or Triac semiconductor protection.
- Surge protection in consumer electronics.
- Surge protection in Industrial electronics.
- Surge protection in electronic home appliances, gas and petroleum appliances.
- Relay and electromagnetic valve surge absorption.

GENERAL CHARACTERISTICS DEFINITION

- Operating Temperature: -40°C~+85°C.
- Storage Temperature: -40°C~+125°C.
- Working Surface Temperature: +115°C.
- Insulation Resistance: >100MΩ.

ORDERING INFORMATION

10 D 431 K
 ① ② ③ ④

- ①Size: 10: φ10.0mm;
- ②Type: D: Disk, S: Square;
- ③Varistor voltage: 431—43×10¹=430V
- ;④ Tolerance: K=±10%,L=±15%,M=±20%;

PACKAGING

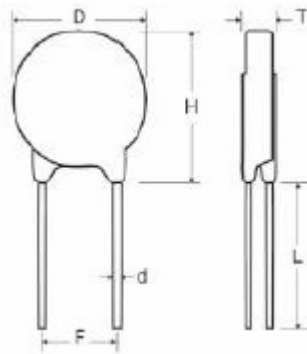
Model	Component Package	Quantity
10D431K	10.0mm	500

ELECTRICAL CHARACTERISTIC

Part Number		Maximum allowable voltage		Varistor voltage	Clamping voltage (Max.)	Maximum peak current (8/20 μ s)		Maximum Energy current (10/1000 μ s)		Rated power (W)	Typical capacitance (Reference) @1KHz(pf)
		AC (V)	DC (V)			Stand ard (A)	High surge (A)	Stand ard (J)	High surge (J)		
Standard	High surge			V1.0mA (V)	VC (V)	Stand ard (A)	High surge (A)	Stand ard (J)	High surge (J)		
10D431K	/	275	350	430(387-473)	710	1250	2500	88.2	89.0	0.4	230

DIMENSIONS

(unit: mm)



Part No.	D Max.	H Max.	L Min.	F \pm 0.8	d \pm 0.05	T Max.
10D431K	12.5	16.5	20.0	7.5	0.8	6.5

X-ON Electronics

Largest Supplier of Electrical and Electronic Components

Click to view similar products for [Varistors](#) category:

Click to view products by [SEMBO](#) manufacturer:

Other Similar products are found below :

[R71ZOV151HC](#) [B72205S271K111](#) [B72214S110K151](#) [B72214S251K151](#) [B72540E250K62](#) [NTE1V020](#) [NTE1V130](#) [25FN511K](#)
[S10K11G5S5](#) [ERZ-C14DK361U](#) [ERZ-C20DK221U](#) [ERZ-C32CK201B](#) [207869-1](#) [AS-13](#) [B72214S200K551](#) [B72280B112K1](#) [B72540E](#)
[350K 62](#) [B72590D360A60](#) [B72650M301K93](#) [B72670M1140K72](#) [TVZ18EC271KBS](#) [TVZ20EB911KBS](#) [TVZ25D201KBS](#) [TVZ25D241KBS](#)
[VDRH20X230BSE](#) [VZ07D220KBS](#) [VZ40D241KQ-N](#) [VZ40D241K](#) [VZ25D511KBS-N](#) [VZ20E511KBSX](#) [VZ20E221KBSX](#)
[VZ10D471KBS-N](#) [ERZ-V20R221](#) [20A9FN241K](#) [B72205S350K211](#) [B72214S110K551](#) [B72510E140K62](#) [B72650M350K72](#)
[TVZ25DN271KBS](#) [TVZ25D301KBS](#) [TVZ20EC911KBS](#) [TVZ20EBN911KBS](#) [TVZ18EC471KBS](#) [B72220S350K101](#) [B72540E300K62](#)
[TND10V-271KB00AAA0](#) [NTE1V030](#) [NTE1V275](#) [NTE2V015](#) [NTE2V035](#)