

FEATURES

- Wide operating Voltages ranging from 5Vrms to 1000V(6Vdc to 1465Vdc).
- Fast response time of less than 25nS,instantly Clamping the transient over Voltage.
- High surge current handling capability.
- High energy absorption capability.
- Low Clamping voltages, providing better surge protection.

APPLICATIONS

- Transistor, Diode, IC, Thyristor or Triac semiconductor protection.
- Surge protection in consumer electronics.
- Surge protection in Industrial electronics.
- Surge protection in electronic home appliances, gas and petroleum appliances.
- Relay and electromagnetic valve surge absorption.

GENERAL CHARACTERISTICS DEFINITION

- Operating Temperature: -40℃~+85℃.
- Storage Temperature: -40℃~+125℃.
- Working Surface Temperature: +115℃.
- Insulation Resistance: >100MΩ.

ORDERING INFORMATION

10 D 560 K
 ① ② ③ ④

- ① Size: 10: φ10.0mm;
- ② Type: D: Disk, S: Square;
- ③ Varistor voltage: 560—56×10⁰=56V;
- ④ Tolerance: K=±10%,L=±15%,M=±20%;

PACKAGING

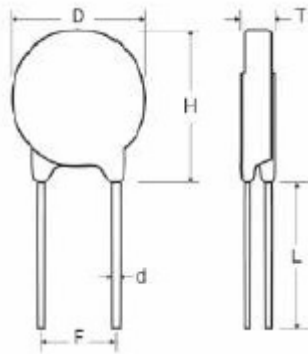
Model	Component Package	Quantity
10D560K	10.0mm	500

ELECTRICAL CHARACTERISTIC

Part Number	Maximum allowable voltage		Varistor voltage	Clamping voltage (Max.)			Maximum peak current (8/20 μ s)		Maximum Energy current (10/1000 μ s)		Rated power (W)	Typical capacitance (Reference) @1KHz(pf)
	AC(V)	DC (V)		VC (V)	IP (A)	Standard (A)	High surge (A)	Standard (J)	High surge (J)			
10D560K	35	45	56(50-62)	110	5	250	500	12.9	13	0.05	1800	

DIMENSIONS

(unit: mm)



Part No.	D Max.	H Max.	L Min.	F \pm 0.8	d \pm 0.05	T Max.
10D560K	12.5	16.5	25-30	7.5	0.8	5.5

X-ON Electronics

Largest Supplier of Electrical and Electronic Components

Click to view similar products for [Varistors](#) category:

Click to view products by [SEMBO](#) manufacturer:

Other Similar products are found below :

[820443211E](#) [MOV05131AIA](#) [MOV07231AQA](#) [MOV18131CZA](#) [R71ZOV151HC](#) [D58ZOV500RA01T1](#) [B72205S271K111](#)
[B72214S251K151](#) [B72280B271K1](#) [B72650M0151K093](#) [B72660M0271K093](#) [NTE1V020](#) [NTE1V130](#) [NTE2V010](#) [NTE2V130](#)
[238159352716](#) [25FN511K](#) [S10K11G5S5](#) [ERZ-C14DK361U](#) [ERZ-C20DK221U](#) [ERZ-C32CK201B](#) [207869-1](#) [AS-13](#) [TMOV25SP625E](#)
[TND10V-471KB00AAA0](#) [B72280B112K1](#) [B72280B381K1](#) [B72590D360A60](#) [B72650M301K93](#) [B72670M1140K72](#) [MOV07251ARA](#)
[MOV10131EDA](#) [MOV10151EFA](#) [MOV14151CWA](#) [MOV20251DFA](#) [TVZ18EC271KBS](#) [TVZ20EB911KBS](#) [TVZ25D201KBS](#)
[TVZ25D241KBS](#) [VDRH20X230BSE](#) [VZ07D220KBS](#) [VZ40D241K](#) [VZ25D511KBS-N](#) [VZ20E511KBSX](#) [VZ20E221KBSX](#)
[VZ10D471KBS-N](#) [ERZ-V20R201](#) [ERZ-V20R221](#) [B72240B681K1](#) [B72510E140K62](#)