

FEATURES

- Wide operating Voltages ranging from 5Vrms to 1000V(6Vdc to 1465Vdc).
- Fast response time of less than 25nS,instantly Clamping the transient over Voltage.
- High surge current handling capability.
- High energy absorption capability.
- Low Clamping voltages, providing better surge protection.
- Low capacitance values, providing digital switching circuitry protection.
- High insulation resistance, preventing electric arching to the adjacent devices or circuits.

APPLICATIONS

- Transistor,Diode,IC,Thyristor or Triac semiconductor protection.
- Surge protection in consumer electronics.
- Surge protection in Industrial electronics.
- Surge protection in electronic home appliances, gas and petroleum appliances.
- Relay and electromagnetic valve surge absorption.

GENERAL CHARACTERISTICS DEFINITION

- Operating Temperature: -40°C~+85°C.
- Storage Temperature: -40°C~+85°C.
- Working Surface Temperature: +115°C.
- Insulation Resistance: >100MΩ.

ORDERING INFORMATION

14 D 391 K
 ① ② ③ ④

- ①Size: 14: φ14.0mm;
 ②Type: D: Disk, S: Square;
 ③Varistor voltage: 391—— $39 \times 10^1 = 390V$
 ;④ Tolerance: K=±10%,L=±15%,M=±20%;

PACKAGING

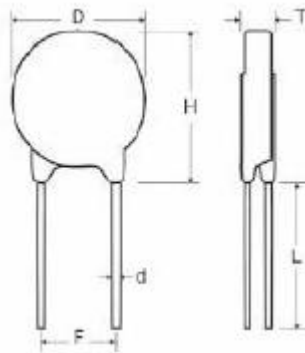
Model	Component Package	Quantity
14D391K	14.0mm	500

ELECTRICAL CHARACTERISTIC

Part Number		Maximum allowable voltage		Varistor voltage	Clamping voltage (Max.)	Maximum peak current (8/20μs)		Maximum Energy current (10/1000μs)		Rated power	Typical capacitance (Reference)
Standard	High surge	VAC (V)	DC (V)	V1.0mA (V)	(V)	Standard (A)	High surge (A)	Standard (J)	High surge (J)	(W)	@1KHz(pf)
14D391K	14D391KJ	250	320	390(351-429)	650	2500	5000	135.0	140.0	0.6	510

DIMENSIONS

(unit: mm)



Part No.	D Max.	H Max.	L Min.	F±0.8	d±0.05	T Max.
14D391K	16.5	20.0	20.0	7.5	0.8	4.97

X-ON Electronics

Largest Supplier of Electrical and Electronic Components

Click to view similar products for [Varistors](#) category:

Click to view products by [SEMBO](#) manufacturer:

Other Similar products are found below :

[R71ZOV151HC](#) [B72205S271K111](#) [B72214S110K151](#) [B72214S251K151](#) [B72540E250K62](#) [NTE1V020](#) [NTE1V130](#) [25FN511K](#)
[S10K11G5S5](#) [ERZ-C14DK361U](#) [ERZ-C20DK221U](#) [ERZ-C32CK201B](#) [207869-1](#) [AS-13](#) [B72214S200K551](#) [B72280B112K1](#) [B72540E](#)
[350K 62](#) [B72590D360A60](#) [B72650M301K93](#) [B72670M1140K72](#) [TVZ18EC271KBS](#) [TVZ20EB911KBS](#) [TVZ25D201KBS](#) [TVZ25D241KBS](#)
[VDRH20X230BSE](#) [VZ07D220KBS](#) [VZ40D241KQ-N](#) [VZ40D241K](#) [VZ25D511KBS-N](#) [VZ20E511KBSX](#) [VZ20E221KBSX](#)
[VZ10D471KBS-N](#) [ERZ-V20R221](#) [20A9FN241K](#) [B72205S350K211](#) [B72214S110K551](#) [B72510E140K62](#) [B72650M350K72](#)
[TVZ25DN271KBS](#) [TVZ25D301KBS](#) [TVZ20EC911KBS](#) [TVZ20EBN911KBS](#) [TVZ18EC471KBS](#) [B72220S350K101](#) [B72540E300K62](#)
[TND10V-271KB00AAA0](#) [NTE1V030](#) [NTE1V275](#) [NTE2V015](#) [NTE2V035](#)