

**FEATURES**

- Surface Mount Devices.
- Lead free device.
- Size 4.5×3.2mm/0.18×0.12 inch.
- Surface Mount packaging for automated assembly.

**APPLICATIONS**

Almost anywhere there is a low voltage power supply, up to 60V and a load to be protected, including:

- Computer mother board,Modem,USB nub
- PDAs & Charger, Analog & digital line card
- Digital cameras, Disk drivers,CD-ROMs,

**TABLE II. PERFORMANCE RATINGS**

Model	Vmax	I <sub>max</sub>	I <sub>hold@25°C</sub>	I <sub>trip@25°C</sub>	P <sub>d</sub> Typ.	Maximum Time TO Trip		Resistance	
	(Vdc)	(A)	(A)	(A)	(W)	Current (A)	Time (Sec)	R <sub>imin</sub> (Ω)	R <sub>imax</sub> (Ω)
1812-260,8V	8.0	100	2.60	5.00	0.8	8.0	2.50	0.015	0.050

Note:

I<sub>hold</sub>=Hold current: maximum current device will pass without tripping in 23°C still air.

I<sub>trip</sub>=Trip current: minimum current at which the device will trip in 23°C still air.

V<sub>max</sub>=Maximum voltage device can withstand without damage at rated curre (I<sub>max</sub>) .

I<sub>max</sub>=Maximum fault current device can withstand without damage at rated v (V<sub>max</sub>) .

P<sub>d</sub>=Power dissipated from device when in the tripped state at 23°C still air.

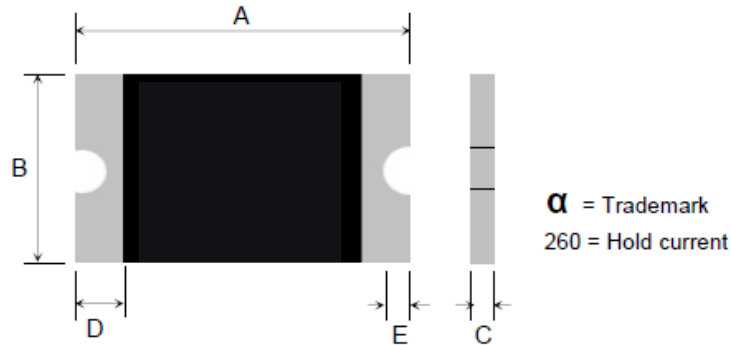
R<sub>min</sub>=Minimum resistance of device in initial (un-soldered) state.

R<sub>1max</sub>=Maximum resistance of device at 23°C measured one hour after tripping or reflow soldering of 260°C for 20sec.

**THERMAL DERATING CHART FOR SMD1812 SERIES-IHOLD(Amps)  
RECOMMENDED DATA**

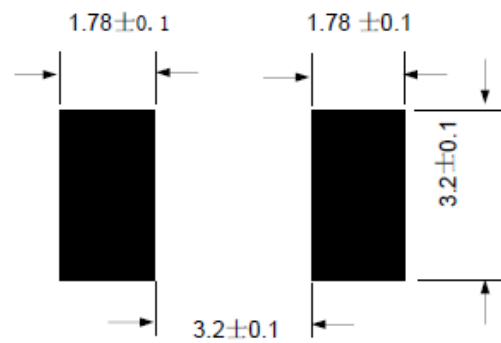
Model	Ambient Operation Temperature								
	-40°C	-20°C	0°C	23°C	40°C	50°C	60°C	70°C	85°C
1812-260,8V	3.90	3.42	2.96	2.60	2.33	2.07	1.94	1.35	1.00

### DIMENSIONS & MARKING

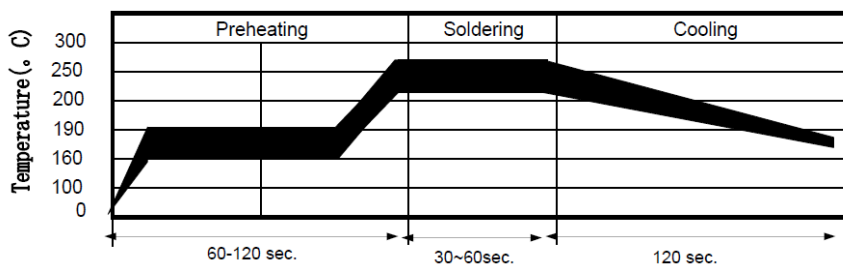


Model	A		B		C		D	E
	Min	Max	Min	Max	Min	Max	Min	Min
1812-260,8V	4.37	4.73	3.07	3.41	0.60	1.30	0.30	0.25

### RECOMMENDED PAD LAYOUT (mm)

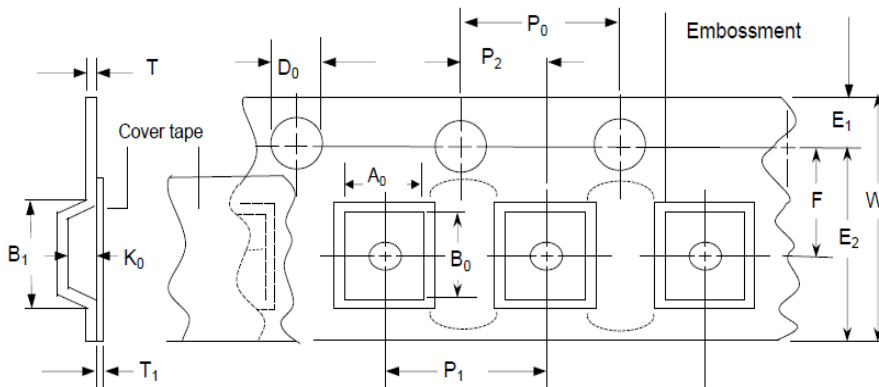


### RECOMMENDED SOLDER REFLOW CONDITIONS

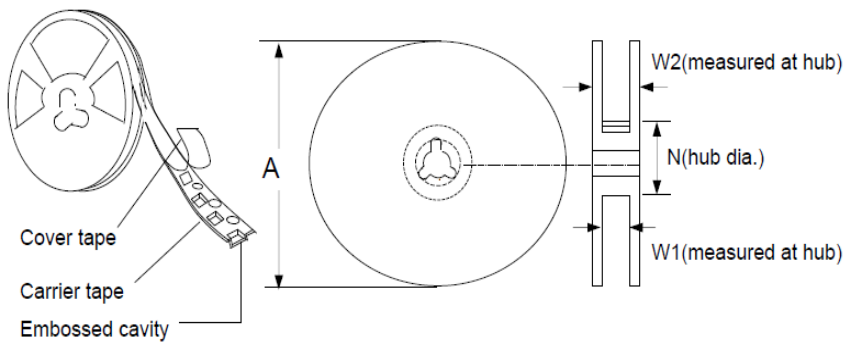


- Recommended reflow methods: IR, vapor phase oven, hot air oven.
- Devices are not designed to be wave soldered to the bottom side of the board.
- Devices can be cleaned using standard method and solvents.
- Recommended maximum paste thickness is 0.25mm(0.010 inch).

Note: If reflow temperatures exceed the recommended profile, devices may not meet the performance requirements.

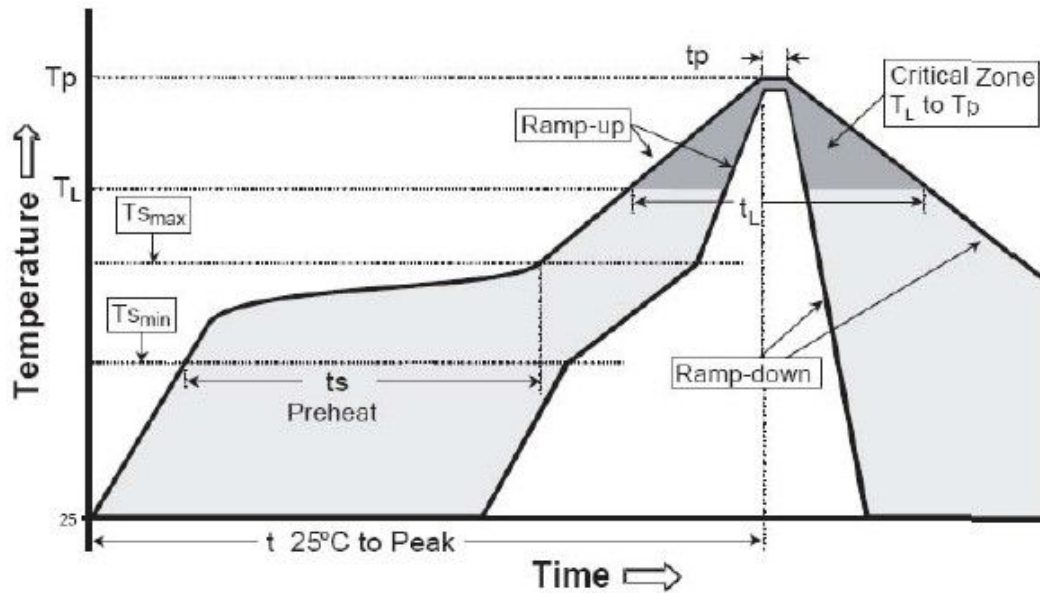
**EIA TAP COMPONENT DIMENSIONS(mm)**


GOVERNING SPECIFICATION	EIA 481-1
W	12±0.3
P0	4.0±0.1
P1	8.0±0.1
P2	2.0±0.05
A0	3.5±0.23
B0	5.1±0.15
B1max.	5.9
D0	1.5+0.1,-0
F	5.5±0.05
E1	1.75±0.10
E2min.	10.25
Tmax.	0.6
T1max.	0.1
K0	0.9±0.15
Leader min.	390
Trailer min.	160
<b>Reel Dimensions</b>	
A max.	178
N min.	60
W1	12.4+2.0,-0.0
W2max.	18.4
Tap & Reel Quantity	1500

**EIA Reel Dimensions**

**STORAGE AND HANDLING**

- Storage conditions: 40°C max,70% R.H.
- Devices may not meet specified performance if storage conditions are exceeded.

**SOLDER REFLOW**



**RECOMMENDED CONCITIONS**

Profile Feature	Pd-Free Assembly
Average Ramp-Up Rate(Tsmax to Tp)	3°C/second max
Preheat —Temperature Min(Tsmin) —Temperature Max(Tsmax) —Time(Tsmin to Tsmax)	150°C 200°C 60-180seconds
Time maintained above: —Temperature(TL) —Time(tL)	217°C 60-150seconds
Peak Temperature(Tp)	260°C
Time within 5°C of actual Peak Temperature(tp)	20-40seconds
Ramp-Down Rate	6°C/second max.
Time 25°C to Peak Temperature	8minutes max.
Storage Condition	0°C~35°C, ≤70%RH

Note: 1.All temperature refer to topside of the package, measured on the package body surface.  
2.If reflow temperature exceed the recommended profile, devices

## X-ON Electronics

Largest Supplier of Electrical and Electronic Components

*Click to view similar products for [Surface Mount Fuses](#) category:*

*Click to view products by [SEMBO](#) manufacturer:*

Other Similar products are found below :

[FHC20402ADTP](#) [NFVC6125S0R50TRF](#) [SFT-125MA](#) [TF16SN2.00TTD](#) [FCC16501ABTP](#) [FCC16102ABTP](#) [FHC16322ADTP](#) [0308.250UR](#)  
[0308.375UR](#) [0308.500UR](#) [0308.750UR](#) [0308001.UR](#) [030801.5UR](#) [F0603G0R03FNTR](#) [SKY87604-12](#) [SKY87604-11](#) [SKY87604-13](#)  
[R451003.L](#) [R451.500L](#) [R451001.L](#) [3-103-119](#) [3-103-123](#) [SGB401](#) [SGB075](#) [0154002.DRL](#) [0154008.DRL](#) [0154.500DRL](#) [189140.1,25](#)  
[189140.0,8](#) [189140.0,4](#) [189140.0,63](#) [189140.0,25](#) [0402FA-R200](#) [0402SFF150F/24-2](#) [0435.250KRHFS](#) [0468003.WR](#) [0494001.NRHF](#)  
[0494002.NRHF](#) [0494003.NRHF](#) [049402.5NRHF](#) [049403.5NRHF](#) [0494.250NRHF](#) [0494.375NRHF](#) [0494.500NRHF](#) [CF06V3T1R60](#)  
[CF06V3T2R50](#) [06H1300D](#) [JFC0603-1200FS](#) [CP06V3T2R0](#) [06F-0200L1](#)