

APPLICATIONS

- 10/100/. Mibits/s Ethernet.
- FireWire.
- Display ports
- MDDI ports
- Digital visual interface(DVI).
- Cellular handsets & accessories.
- Computer and peripherals.



MECHANICAL CHARACTERISTICS

DFN1006

- Ultra-low capacitance 0.5pF.
- Low clamping voltage.
- Small body outline dimensions: 0.039"×0.024".(1.0mm×0.60mm)
- Low body height: 0.019"(0.5mm).
- Quantity Per Reel: 10000pcs.
- Reel Size: 7inch.
- Lead Finish: Lead Free.

IEC COMPATIBILITY

- IEC61000-4-2(ESD)±15KV(air), ±8KV(contact).
- IEC61000-4-4(EFT) 40A (5/50ns).
- IEC61000-4-5(Lightning) 2A (8/20μs).


PIN CONFIGURATION

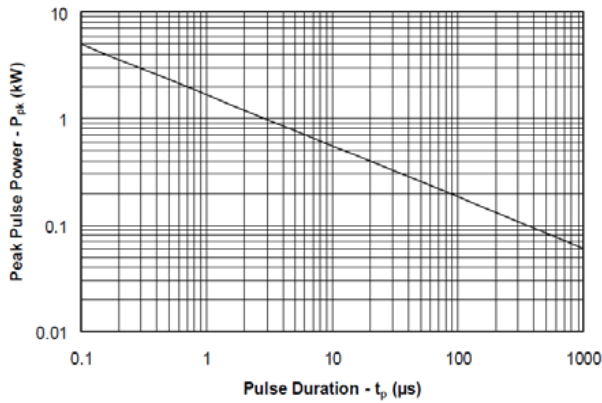
DEVICE CHARACTERISTICS

MAXIMUM RATINGS (@25°C Unless Otherwise Specified)				
PARAMETER		SYMBOL	VALUE	UNITS
IEC 61000-4-2 (HBM-ESD)	Contact	ESD	8	KV
	Air		15	
Lead Soldering Temperature		T _L	260(10sec)	°C
Operating Temperature Range		T _J	-55 to +125	°C
Storage Temperature Range		T _{STG}	-55 to + 150	°C

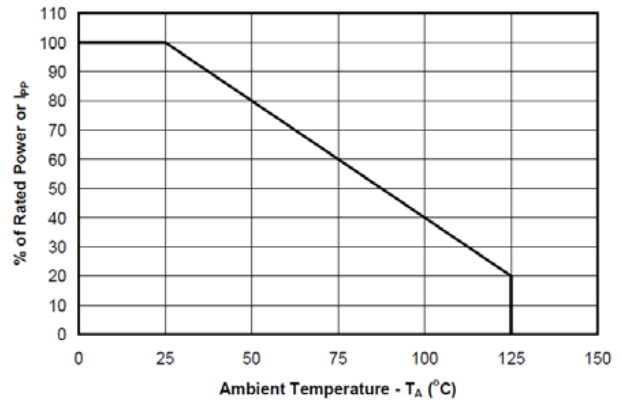
ELECTRICAL CHARACTERISTICS PER LINE (@25°C Unless Otherwise Specified)							
PART NUMBER	VRWM@IR		VBR@1mA	Vc@1A	Vc@IPP		CJ
	V	uA	V	V	V	A	pF
		max	min	max	max		max
SBX0521P	5.0	0.5	7.8	8.6	9.8	1	0.5

TYPICAL CHARACTERISTICS @Ta=25°C unless otherwise specified

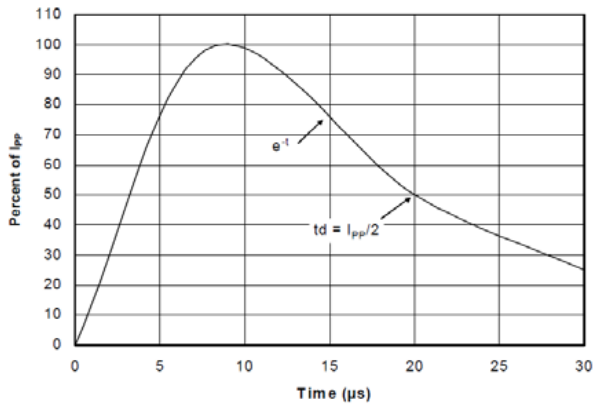
Non-Repetitive Peak Pulse Power vs. Pulse Time



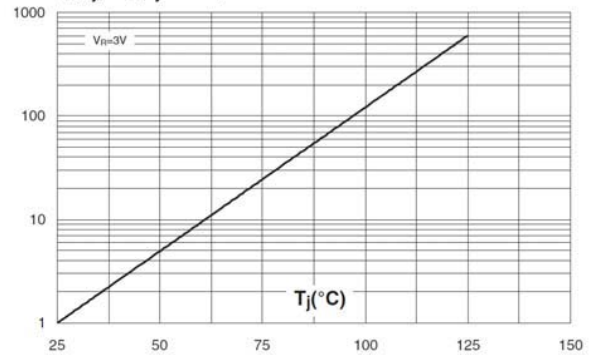
Power Derating Curve



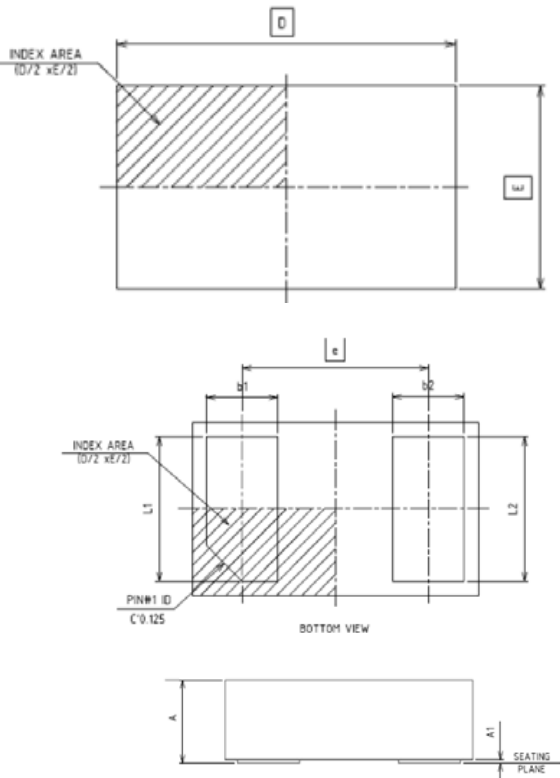
Pulse Waveform



I_R(T_J) / I_R(T_J=25°C)

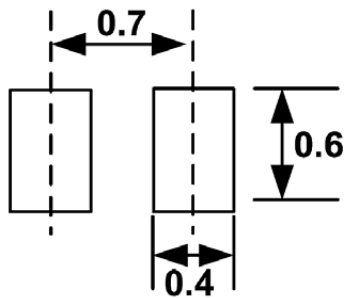


DFN1006 PACKAGE OUTLINE & DIMENSIONS



DIM	DIMENSIONS		
	MILLIMETERS		
	MIN	Nom	MAX
A	0.450	0.500	0.550
A1	0.000	0.002	0.050
D	0.950	1.000	1.050
E	0.550	0.600	0.650
e		0.650	
b1	0.200	0.250	0.300
b2	0.200	0.250	0.300
L1	0.450	0.500	0.550
L2	0.450	0.500	0.550

SOLDERING FOOTPRINT



X-ON Electronics

Largest Supplier of Electrical and Electronic Components

Click to view similar products for [ESD Suppressors / TVS Diodes](#) category:

Click to view products by [SEMBO](#) manufacturer:

Other Similar products are found below :

[60KS200C](#) [D18V0L1B2LP-7B](#) [D5V0F4U5P5-7](#) [DESD5V0U1BB-7](#) [NTE4902](#) [P4KE27CA](#) [P6KE11CA](#) [P6KE39CA-TP](#) [P6KE8.2A](#)
[SA110CA](#) [SA60CA](#) [SA64CA](#) [SMBJ12CATR](#) [SMBJ33CATR](#) [SMBJ8.0A](#) [ESD101-B1-02ELS E6327](#) [ESD105-B1-02EL E6327](#) [ESD112-B1-02EL E6327](#) [ESD119B1W01005E6327XTSA1](#) [ESD5V0L1B02VH6327XTSA1](#) [ESD7451N2T5G](#) [19180-510](#) [CPDT-5V0USP-HF](#)
[3.0SMCJ33CA-F](#) [3.0SMCJ36A-F](#) [HSPC16701B02TP](#) [D3V3Q1B2DLP3-7](#) [D55V0M1B2WS-7](#) [DESD5V0U1BL-7B](#) [DRTR5V0U4SL-7](#)
[SCM1293A-04SO](#) [ESD200-B1-CSP0201 E6327](#) [SM12-7](#) [SMF8.0A-TP](#) [SMLJ45CA-TP](#) [CEN955 W/DATA](#) [82350120560](#) [VESD12A1A-](#)
[HD1-GS08](#) [CPDUR5V0R-HF](#) [CPDQC5V0U-HF](#) [CPDQC5V0USP-HF](#) [CPDQC5V0-HF](#) [D1213A-01LP4-7B](#) [D1213A-02WL-7](#)
[1SMB33CAT3G-XYZ](#) [MMAD1108/TR13](#) [5KP100A](#) [5KP15A](#) [5KP18A](#) [5KP48A](#)