

## FEATURES

- Provide ultra-fast response to surge voltage from slow-rising of 100V/s to rapid-rising surge of 1KV/μs.
- Small size design EIA 1812 3.2\*4.5\*2.7mm
- Stable breakdown voltage.
- High insulation resistance.
- Low capacitance and insertion loss.
- Reliable to protect electrostatic surge.



## APPLICATION

- Repeaters, Modems.
- Telephone interface, line cards.
- Data communication equipment.
- Line test equipment.

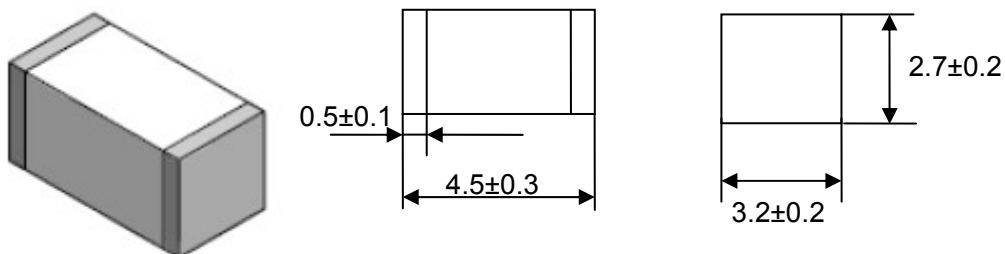
## ELECTRICAL CHARACTERISTIC

Part Number	DC Breakdown Voltage 100V/s(V)	Tolerance of Vs	Impulse spark-over voltage 1kV/μs(V)	Impulse Discharge Current 8/20μs(A)	Insulation Resistance		C
	V	%	V	A	GΩ	DC	pF
SGB401	400	±30	≤950	2000	≥1	100	≤1

1. The parameters of all tested by ITU-T K12.
2. Total Impulse discharge current 2000A@ 8/20μs by IEC 61000-4-5,10 shots.
3. The capacitance are tested by 1MHz @DC=0.5V.

## PACKAGE DIMENSIONS

(unit: mm)



**PART NUMBER CODE**

**S GB 401 N**

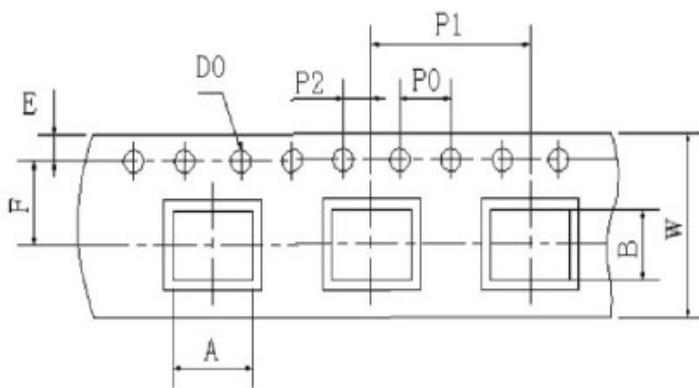
① ② ③ ④

- ① Brand Name;
- ② Gas discharge tube in 4.5\*3.2\*2.7(W\*H\*L) (mm);
- ③ DC breakdown Voltage;
- ④ Tolerance is DC breakdown voltage, L=±15%, M=±20%, N=±30%

**PACKAGING**

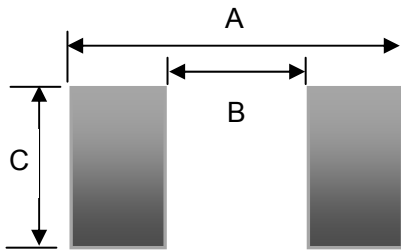
Part Number	Component Package	Quantity
SGB401	1812	2500

**PACKAGE REEL INFORMATION**



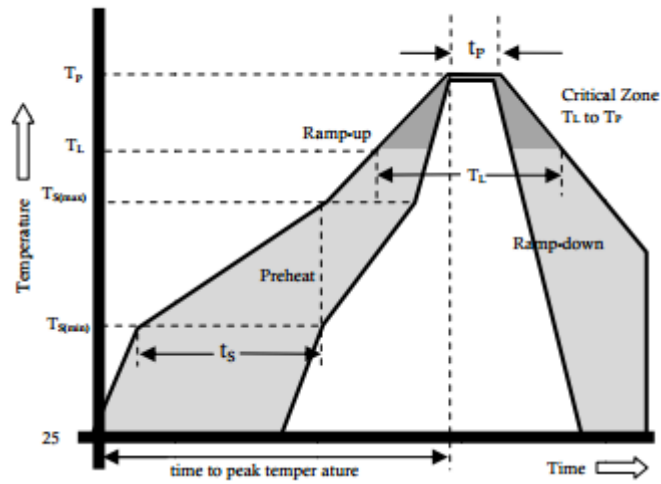
Item	Dim(mm)
A	3.7±0.20
B	4.7±0.20
D0	Ø1.5±0.1
E	1.75±0.10
F	5.5±0.10
P0	4.0±0.1
P1	8.0±0.10
P2	2.0±0.1
W	12.0±0.30

### RECOMMENDED SOLDERING PAD



REF	mm
A	5.45
B	3.50
C	3.50

### REFLOW PROFILE



Reflow Condition		Pb-Free assembly
Pre Heat	Temperature Min	150°C
	Temperature Max	200°C
	Time(min to max)	60-180 secs
Average ramp up rate(Liquids)Tamp(TL)to peal		3°C/second max
Ts(max)to TL-Ramp-up Rate		3°C/second max
Reflow	-Temperature(TL)(Liquids)	217°C
	-Temperature(TL)	60-150seconds
Peak Temperature(Tp)		260+0/-5°C
Time within 5°C of actual peak Temperature(tp)		~10 seconds
Ramp-down Rate		6°C/second max.
Time 25°C to peak Temperature(Tp)		8 minutes Max.
Do not exceed		260°C

\*Note: all products, can be customized according to customer requirements

## X-ON Electronics

Largest Supplier of Electrical and Electronic Components

*Click to view similar products for [Surface Mount Fuses](#) category:*

*Click to view products by [SEMBO](#) manufacturer:*

Other Similar products are found below :

[FHC20402ADTP](#) [NFVC6125S0R50TRF](#) [SFT-125MA](#) [TF16SN2.00TTD](#) [FCC16501ABTP](#) [FCC16102ABTP](#) [FHC16322ADTP](#) [0308.250UR](#)  
[0308.375UR](#) [0308.500UR](#) [0308.750UR](#) [0308001.UR](#) [030801.5UR](#) [F0603G0R03FNTR](#) [SKY87604-12](#) [SKY87604-11](#) [SKY87604-13](#)  
[R451003.L](#) [R451.500L](#) [R451001.L](#) [3-103-119](#) [3-103-123](#) [SGB401](#) [SGB075](#) [0154002.DRL](#) [0154008.DRL](#) [0154.500DRL](#) [189140.1,25](#)  
[189140.0,8](#) [189140.0,4](#) [189140.0,63](#) [189140.0,25](#) [0402FA-R200](#) [0402SFF150F/24-2](#) [0435.250KRHFS](#) [0468003.WR](#) [0494001.NRHF](#)  
[0494002.NRHF](#) [0494003.NRHF](#) [049402.5NRHF](#) [049403.5NRHF](#) [0494.250NRHF](#) [0494.375NRHF](#) [0494.500NRHF](#) [CF06V3T1R60](#)  
[CF06V3T2R50](#) [06H1300D](#) [JFC0603-1200FS](#) [CP06V3T2R0](#) [06F-0200L1](#)