



## Power Bridge Rectifiers

### SKB 35

#### Features

- Square plastic case with isolated metal base plate and fast-on connectors
- Blocking voltage up to 1600 V
- High surge current
- Easy chassis mounting
- UL recognized plastic material

#### Typical Applications

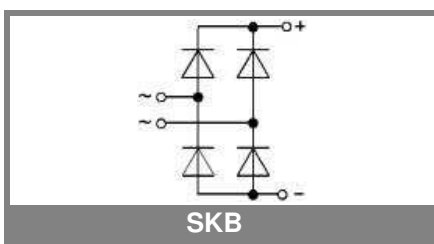
- Rectifier for power supplies
- Input rectifier for variable frequency drives
- Rectifier for DC motor field supplies
- Battery charger rectifiers
- Recommended snubber network:  
RC: 50 Ω, 0.1 μF ( $P_R = 1 \text{ W}$ )

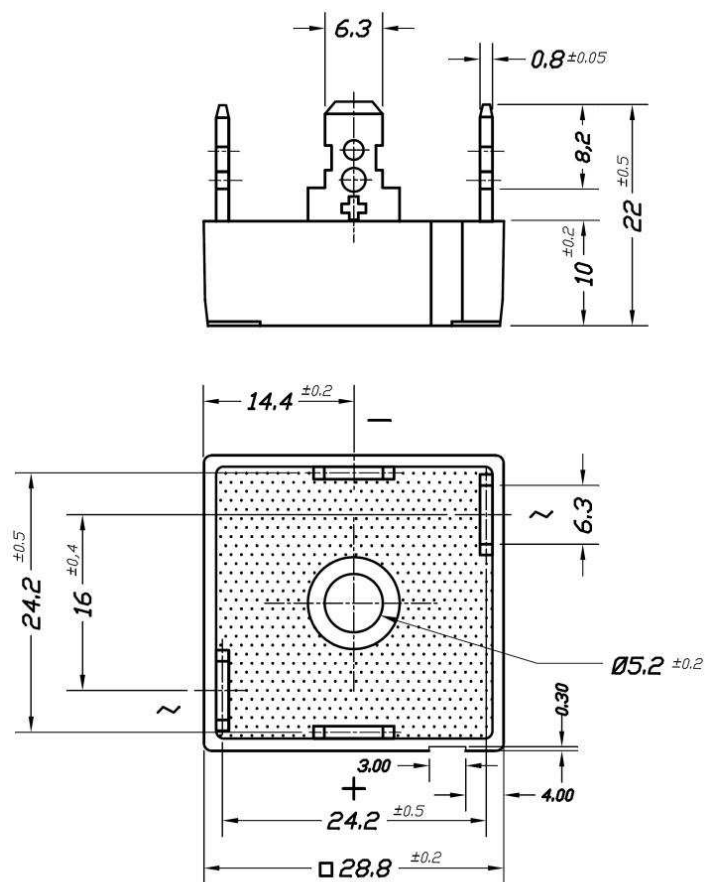
1) Freely suspended or mounted on an insulator

2) Mounted on a painted metal sheet of min. 250 x 250 x 1 mm

$V_{RSM}, V_{RRM}$ V	$V_{VRMS}$ V	$I_D = 35 \text{ A } (T_c = 29^\circ\text{C})$ Types	$C_{max}$ μF	$R_{min}$ Ω
400	125	SKB 35/04		0,3
800	250	SKB 35/08		0,7
1200	400	SKB 35/12		1
1600	500	SKB 35/16		1,5

Symbol	Conditions	Values	Units
$I_D$	$T_a = 45^\circ\text{C}, P1/120 \text{ black}$	22	A
	$T_a = 40^\circ\text{C}, \text{chassis}^2)$	13,5	A
$I_{DCL}$	$T_a = 45^\circ\text{C}, P1/120 \text{ black}$	18,5	A
	$T_a = 40^\circ\text{C}, \text{chassis}^2)$	12	A
	$T_a = 45^\circ\text{C}, \text{isolated}^1)$	3,9	A
$I_{FSM}$	$T_{vj} = 25^\circ\text{C}, 10 \text{ ms}$	380	A
	$T_{vj} = 150^\circ\text{C}, 10 \text{ ms}$	330	A
$i^2t$	$T_{vj} = 25^\circ\text{C}, 8,3 \dots 10 \text{ ms}$	700	A <sup>2</sup> s
	$T_{vj} = 150^\circ\text{C}, 8,3 \dots 10 \text{ ms}$	540	A <sup>2</sup> s
$V_F$	$T_{vj} = 25^\circ\text{C}, I_F = 150 \text{ A}$	max. 1,9	V
$V_{(TO)}$	$T_{vj} = 150^\circ\text{C}$	max. 0,85	V
$r_T$	$T_{vj} = 150^\circ\text{C}$	max. 7	mΩ
$I_{RD}$	$T_{vj} = 25^\circ\text{C}, V_{RD} = V_{RRM}$	300	μA
	$T_{vj} = ^\circ\text{C}, V_{RD} = V_{RRM} \geq V$		μA
$I_{RD}$	$T_{vj} = 150^\circ\text{C}, V_{RD} = V_{RRM}$	5	mA
	$T_{vj} = ^\circ\text{C}, V_{RD} = V_{RRM} \geq V$		mA
$t_{rr}$	$T_{vj} = 25^\circ\text{C}$	10	μs
$f_G$		2000	Hz
$R_{th(j-a)}$	isolated <sup>1)</sup>	14,5	K/W
	chassis <sup>2)</sup>	4,2	K/W
$R_{th(j-c)}$	total	1,5	K/W
$R_{th(c-s)}$	total	0,15	K/W
$T_{vj}$		- 40 ... + 150	°C
$T_{stg}$		- 55 ... + 150	°C
$V_{isol}$	a.c. 50 ... 60 Hz; r.m.s.; 1 s / 1 min.	3000 / 2500	V~
$M_s$	to heatsink	$2 \pm 15 \%$	Nm
$M_t$			Nm
$a$			m/s <sup>2</sup>
$w$	approx.	18	g
$F_u$		25	A
Case		G 10b	





Case G 10b

This technical information specifies semiconductor devices but promises no characteristics. No warranty or guarantee expressed or implied is made regarding delivery, performance or suitability.

## X-ON Electronics

Largest Supplier of Electrical and Electronic Components

*Click to view similar products for [Bridge Rectifiers](#) category:*

*Click to view products by [Semikron](#) manufacturer:*

Other Similar products are found below :

[MB2510](#) [MB252](#) [MB356G](#) [MB358G](#) [GBJ1504-BP](#) [GBU15J-BP](#) [GBU15K-BP](#) [GBU4A-BP](#) [GBU4D-BP](#) [GBU6B-E3/45](#) [GSIB680-E3/45](#)  
[DB101-BP](#) [DF01](#) [DF10SA-E345](#) [BU1508-E3/45](#) [KBPC50-10S](#) [RS405GL-BP](#) [G5SBA60-E3/51](#) [GBJ1502-BP](#) [GBU10J-BP](#) [GBU4J-BP](#)  
[GBU6M](#) [GBU8D-BP](#) [GBU8J-BP](#) [GSIB1520-E3/45](#) [2KBB10](#) [36MB140A](#) [TB102M](#) [MB1510](#) [MB258](#) [MB6M-G](#) [MB86](#) [TL401G](#)  
[MDA920A2](#) [TU602](#) [TU810](#) [BR1005-BP](#) [BR101-BP](#) [BR84DTP204](#) [BU2008-E3/51](#) [36MB100A](#) [36MT160](#) [KBPC25-02](#) [VS-2KBB60](#)  
[DF06SA-E345](#) [DF1510S](#) [VS-40MT160PAPBF](#) [GBU4G-BP](#) [GBJ2506-BP](#) [GBU6B-E3/51](#)