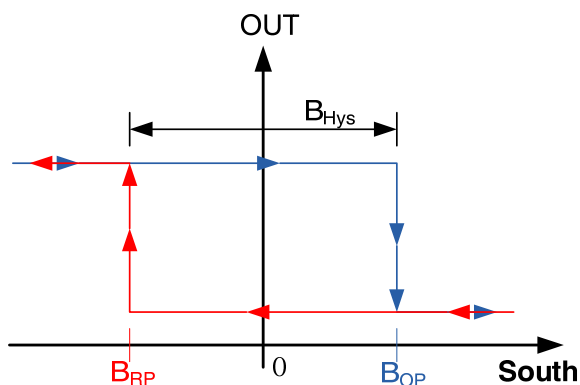

High Sensitive Digital-Latch Hall Effect Sensor

Features

- Digital latch Hall sensor
- High chopping frequency
- Supports a wide voltage range
 - 2.5 to 24V
 - Operation from unregulated supply
- Wide operating temperature range
- Factory-programmed at end-of-line for optimum
- Reverse battery protection (up to 28V)
- Over-voltage protection at all pins
- Robust EMC performance
- Solid-state reliability
- Small package
 - 3-pin SIP
 - 3-pin SOT-23

Output state



Applications

- Power tools
- Flow meters
- Valve and solenoid status
- BLDC motors with sensors
- Proximity sensing
- Tachometers

Description

The SC244X family, produced with BiCMOS technology, is a chopper-stabilized Hall Effect Sensor that offers a magnetic sensing solution with superior sensitivity stability over temperature and integrated protection features.

Superior high-temperature performance is made possible through dynamic offset cancellation, which reduces the residual offset voltage normally caused by device over molding, temperature dependencies, and thermal stress. Each device includes on a single silicon chip a voltage regulator, Hall-voltage generator, small-signal amplifier, chopper stabilization, Schmitt trigger, and an open-drain output to sink up to 20mA.

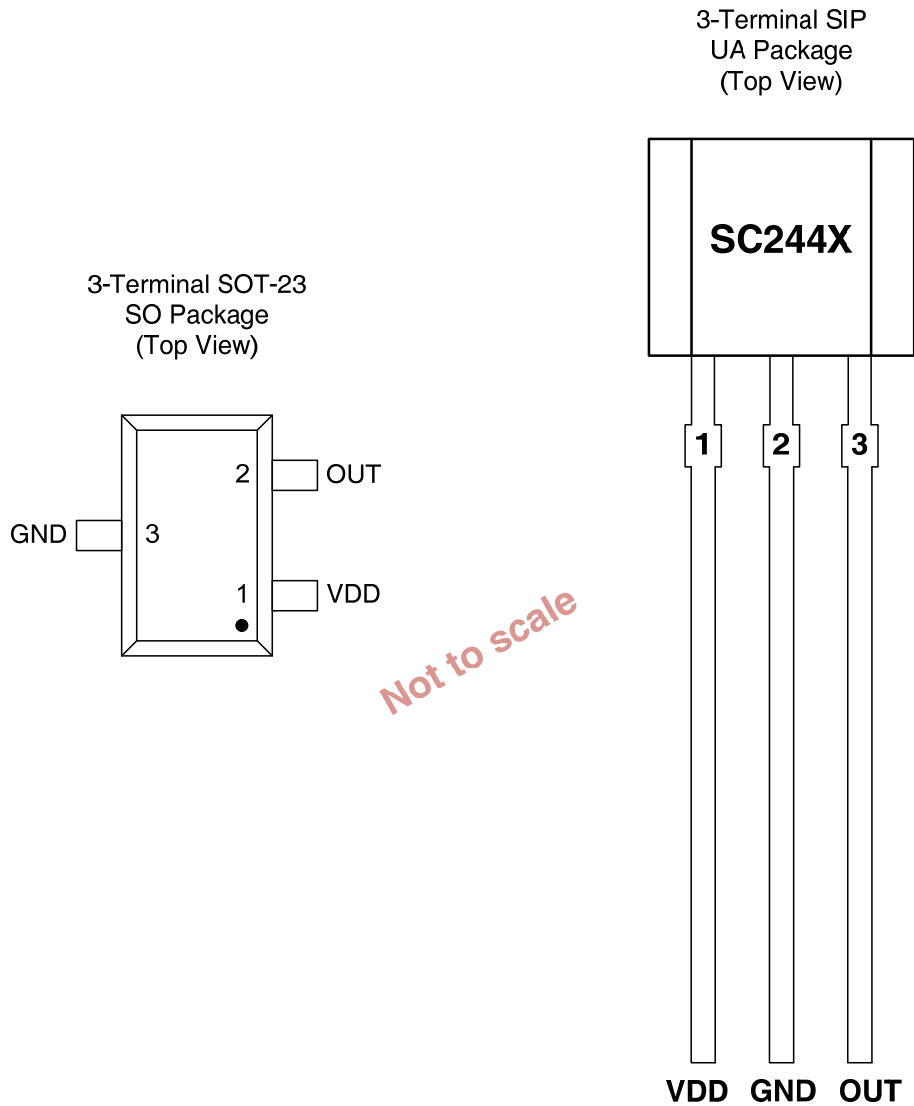
An onboard regulator permits with supply voltages of 2.5 to 24V which makes the device suitable for a wide range of industrial and automotive applications

The device is available in a 3-pin SIP package (UA) and a 3-pin SOT-23 style package (SO). Both are lead (Pb) free, with 100% matte tin leadframe plating.

Device Information

Part Number	Packing	Mounting	Ambient, T _A	B _{OP} (Typ.)	B _{RP} (Typ.)
SC2440UA	Bulk, 1000 pieces/bag	SIP3	-40°C to 150°C	1.0mT	-1.0mT
SC2440SO-N	Reel, 3000pieces/reel	SOT-23		-1.0mT	1.0mT
SC2442UA	Bulk, 1000 pieces/bag	SIP3	-40°C to 150°C	+2.0mT	-2.0mT
SC2442SO	Reel, 3000pieces/reel	SOT-23		+2.0mT	-2.0mT
SC2442SO-N	Reel, 3000pieces/reel	SOT-23		-2.0mT	+2.0mT
SC2446UA	Bulk, 1000 pieces/bag	SIP3	-40°C to 150°C	+4.0mT	-4.0mT
SC2448UA	Bulk, 1000 pieces/bag	SIP3	-40°C to 150°C	+8.0mT	-8.0mT
SC2448SO	Reel, 3000pieces/reel	SOT-23			

Terminal configuration and functions



Terminal		Type	Description
Name	Number		
	UA	SO	
VDD	1	1	PWR 2.5 to 24 V power supply
GND	2	3	Ground Ground terminal
OUT	3	2	Output Open-drain output

Absolute Maximum Ratings

over operating free-air temperature range (unless otherwise noted) ⁽¹⁾

Parameter	Symbol	Min.	Max.	Units
Power supply voltage	V _{DD}	-28 ⁽²⁾	28	V
Output terminal voltage	V _{OUT}	-0.5	28	V
Output terminal current sink	I _{SINK}	0	30	mA
Operating ambient temperature	T _A	-40	150	°C
Maximum junction temperature	T _J	-55	165	°C
Storage temperature	T _{STG}	-65	175	°C

⁽¹⁾Stresses above those listed here may cause permanent damage to the device. Exposure to absolute maximum rating conditions for extended periods may affect device reliability.

⁽²⁾Ensured by design.

ESD Protection

Human Body Model (HBM) tests according to: standard AEC-Q100-002

Parameter	Symbol	Min.	Max.	Units
ESD-Protection	V _{ESD}	-4	4	KV

Thermal Characteristics

Symbol	Parameter	Test Conditions	Rating	Units
R _{θA}	UA Package thermal resistance	Single-layer PCB, with copper limited to solder pads	166	°C/W
R _{θA}	SO Package thermal resistance	Single-layer PCB, with copper limited to solder pads	228	°C/W

Electrical Characteristics

over operating free-air temperature range ($V_{DD} = 5.0V$, unless otherwise noted)

Symbol	Parameter	Test Conditions	Min.	Typ.	Max.	Units
V_{DD}	Operating voltage ⁽¹⁾	$T_J < T_{J(Max.)}$	2.5	--	24	V
V_{DDR}	Reverse supply voltage		-28	--	--	V
I_{DD}	Operating supply current	$V_{DD}=2.5$ to 24 V, $T_A=25^\circ C$	0.8	1.6	2.0	mA
		$V_{DD}=2.5$ to 24 V, $T_A=125^\circ C$	0.9	1.7	2.1	mA
t_{on}	Power-on time		--	35	50	μS
I_{QL}	Off-state leakage current	Output Hi-Z	--	--	3	μA
$R_{DS(on)}$	FET on-resistance	$V_{DD}=5V$, $I_O=10mA$, $T_A=25^\circ C$	--	20	--	Ω
		$V_{DD}=5V$, $I_O=10mA$, $T_A=125^\circ C$	--	30	--	Ω
t_d	Output delay time	$B=B_{RP}$ to B_{OP}	--	15	25	μS
t_r	Output rise time (10% to 90%)	$R1=1Kohm$ $C_o=50pF$	--	--	0.5	μS
t_f	Output fall time (90% to 10%)	$R1=1Kohm$ $C_o=50pF$	--	--	0.2	μS

⁽¹⁾ Maximum voltage must be adjusted for power dissipation and junction temperature, see Thermal Characteristics

Magnetic Characteristics

over operating free-air temperature range (unless otherwise noted)

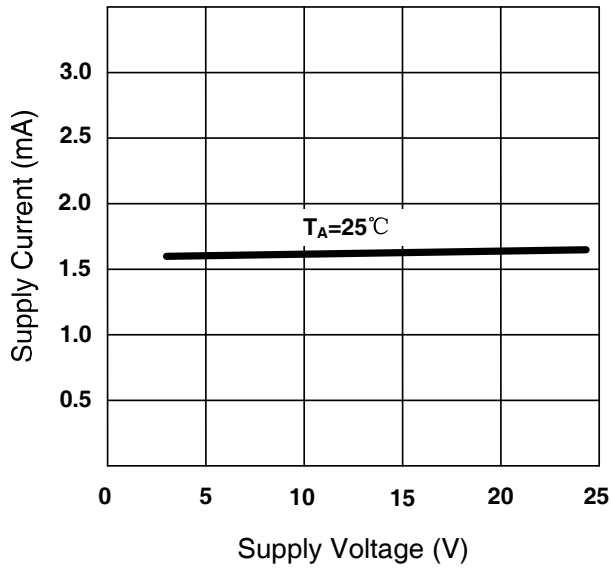
Symbol	Parameter	Test Conditions	Min.	Typ.	Max.	Units
f_{BW}	Bandwidth		20	--	--	kHz
SC2440 +1.0 / -1.0 mT						
B_{OP}	Operated point	$T_A=25^\circ\text{C}$	--	+1.0	+2.0	mT
B_{RP}	Release point		-2.0	-1.0	--	mT
B_{HYS}	Hysteresis		1.0	2.0	3.0	mT
B_O	Magnetic offset	$B_O=(B_{OP}+B_{RP})/2$	-1.0	0	+1.0	mT
SC2442 +2.0 / -2.0 mT						
B_{OP}	Operated point	$T_A=25^\circ\text{C}$	+1.0	+2.0	+3.0	mT
B_{RP}	Release point		-3.0	-2.0	-1.0	mT
B_{HYS}	Hysteresis		3.0	4.0	5.0	mT
B_O	Magnetic offset	$B_O=(B_{OP}+B_{RP})/2$	-1.0	0	+1.0	mT
SC2446 +4.0 / -4.0 mT						
B_{OP}	Operated point	$T_A=25^\circ\text{C}$	+2.0	+4.0	+6.0	mT
B_{RP}	Release point		-6.0	-4.0	-2.0	mT
B_{HYS}	Hysteresis		6.0	8.0	10.0	mT
B_O	Magnetic offset	$B_O=(B_{OP}+B_{RP})/2$	-2.0	0	+2.0	mT
SC2448 +8.0 / -8.0 mT						
B_{OP}	Operated point	$T_A=25^\circ\text{C}$	+6.0	+8.0	+10.0	mT
B_{RP}	Release point		-10.0	-8.0	-6.0	mT
B_{HYS}	Hysteresis		14.0	16.0	18.0	mT
B_O	Magnetic offset	$B_O=(B_{OP}+B_{RP})/2$	-2.0	0	+2.0	mT

1mT=10Gs

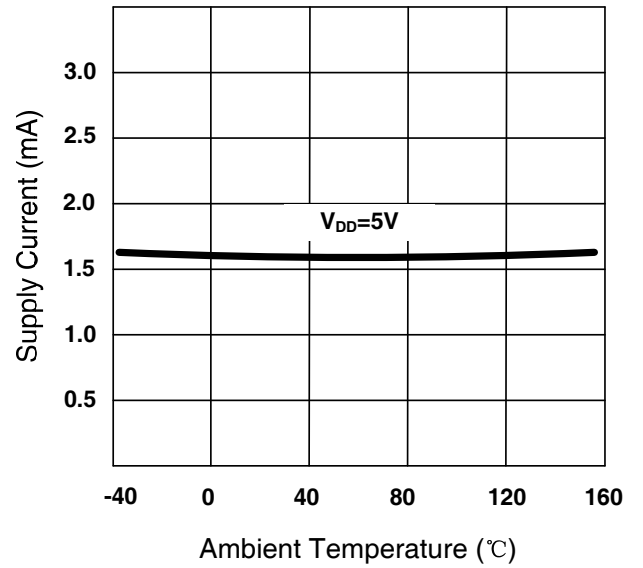
Magnetic flux density, B , is indicated as a negative value for North-polarity magnetic fields, and as a positive value for South-polarity magnetic fields.

Characteristic Data

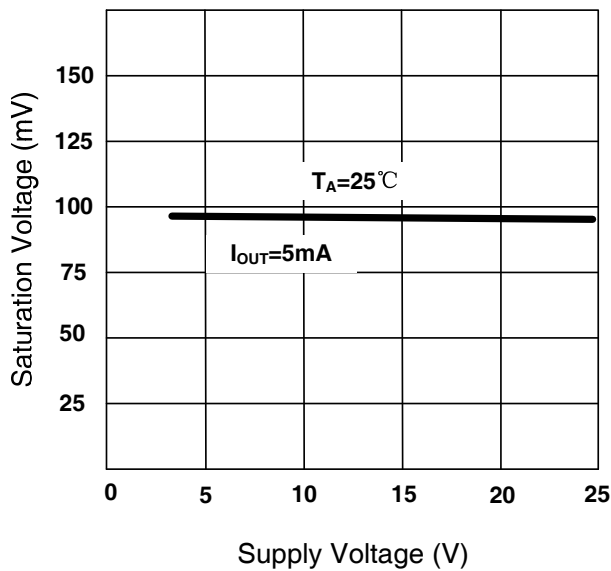
I_{DD} vs V_{DD}



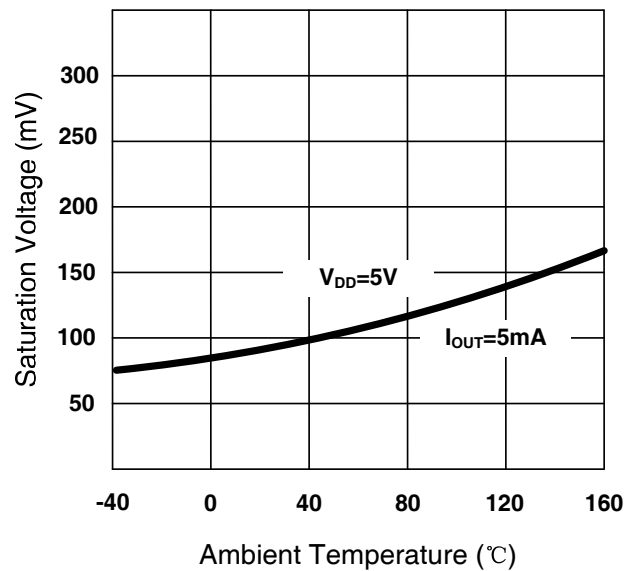
I_{DD} vs T_A



$V_{Q(sat)}$ vs V_{DD}

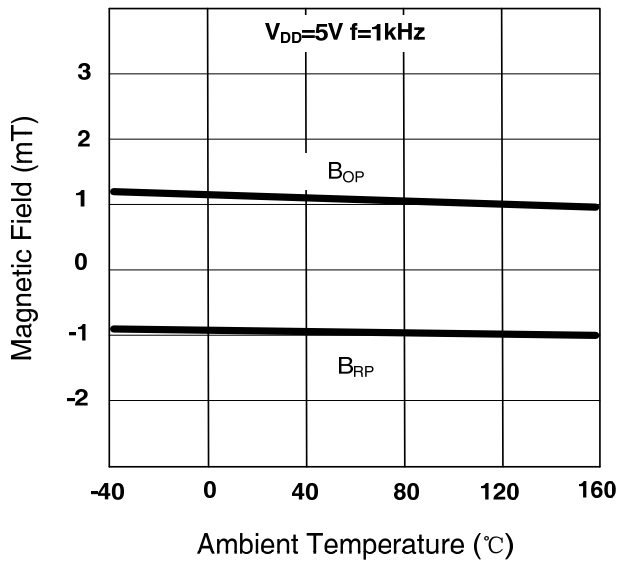


$V_{Q(sat)}$ vs T_A

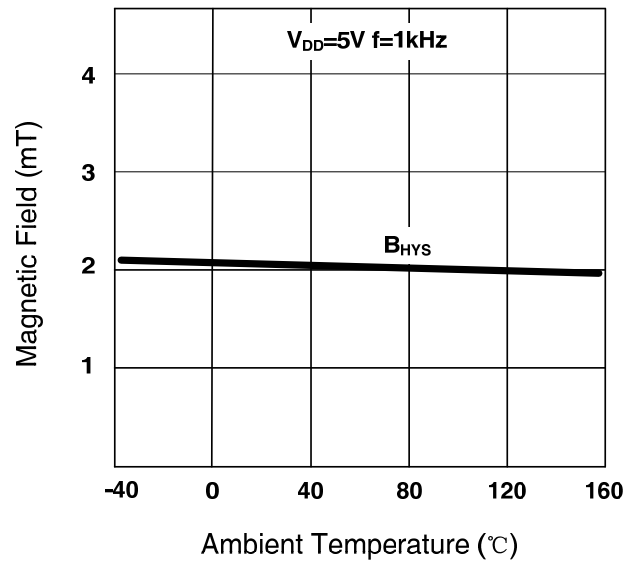


Characteristic Data (Continued)

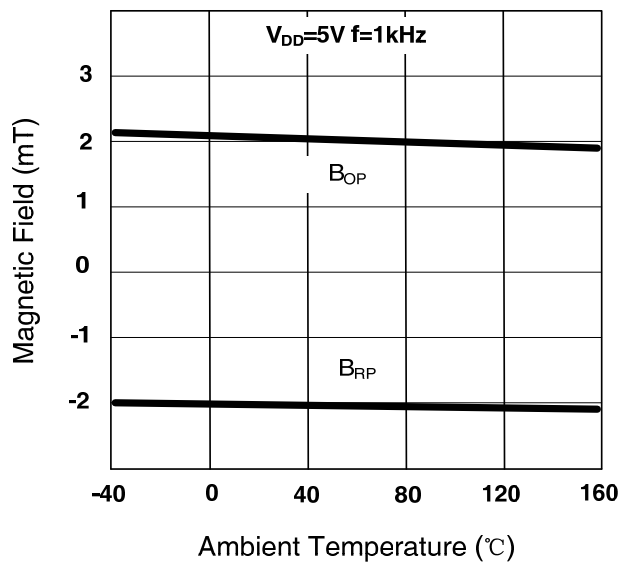
SC2440
B_{OP} and B_{RP} vs T_A



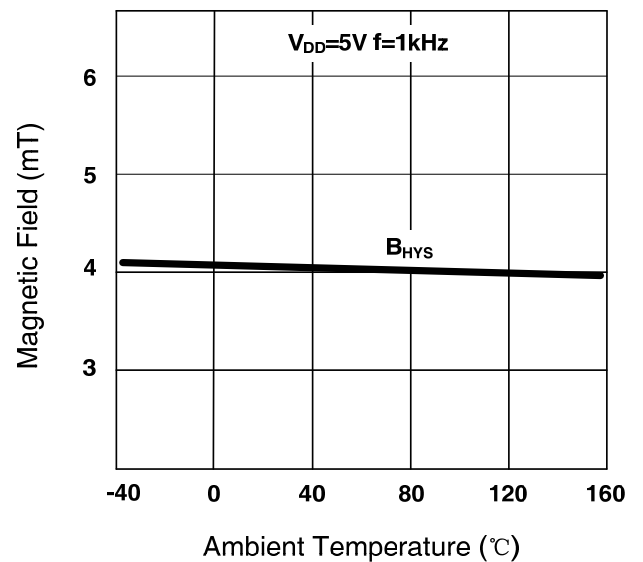
SC2440
B_{HYS} vs T_A



SC2442
B_{OP} and B_{RP} vs T_A

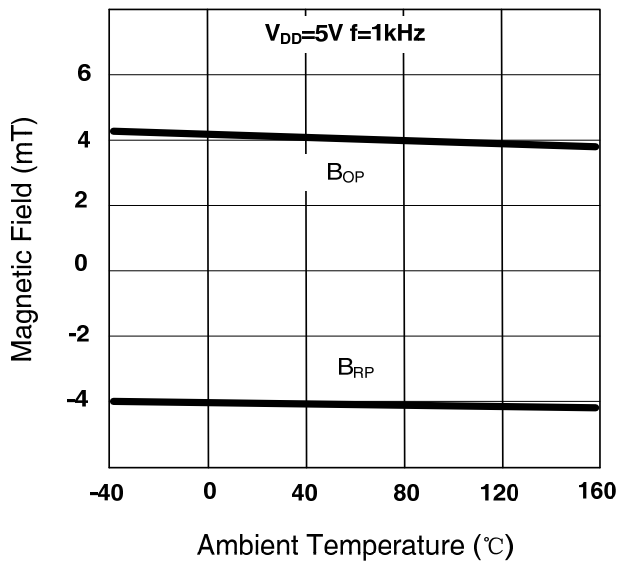


SC2442
B_{HYS} vs T_A

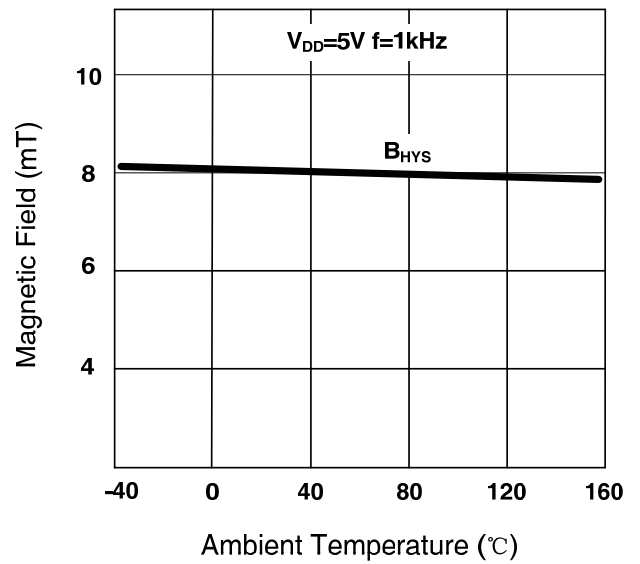


Characteristic Data (Continued)

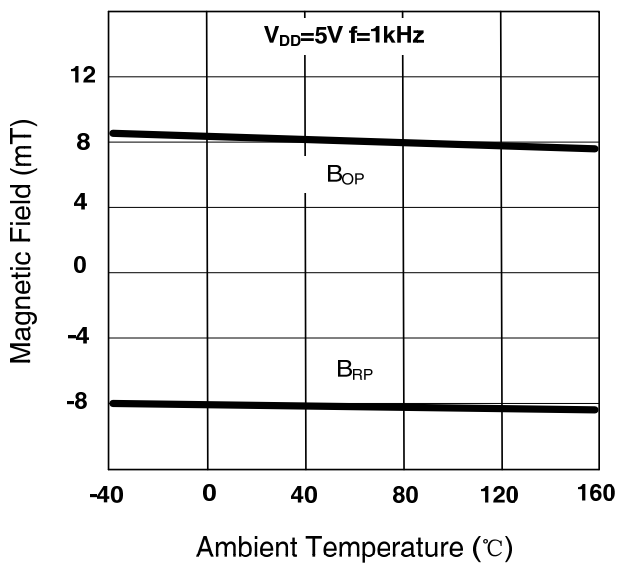
SC2446
B_{OP} and B_{RP} vs T_A



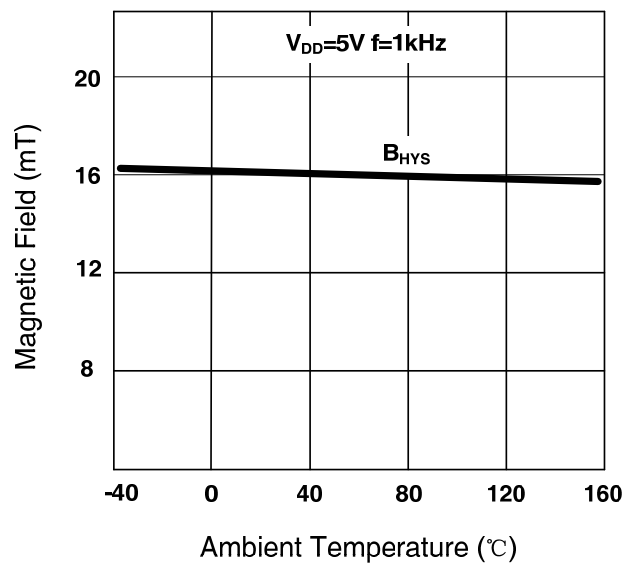
SC2446
B_{HYS} vs T_A



SC2448
B_{OP} and B_{RP} vs T_A



SC2448
B_{HYS} vs T_A



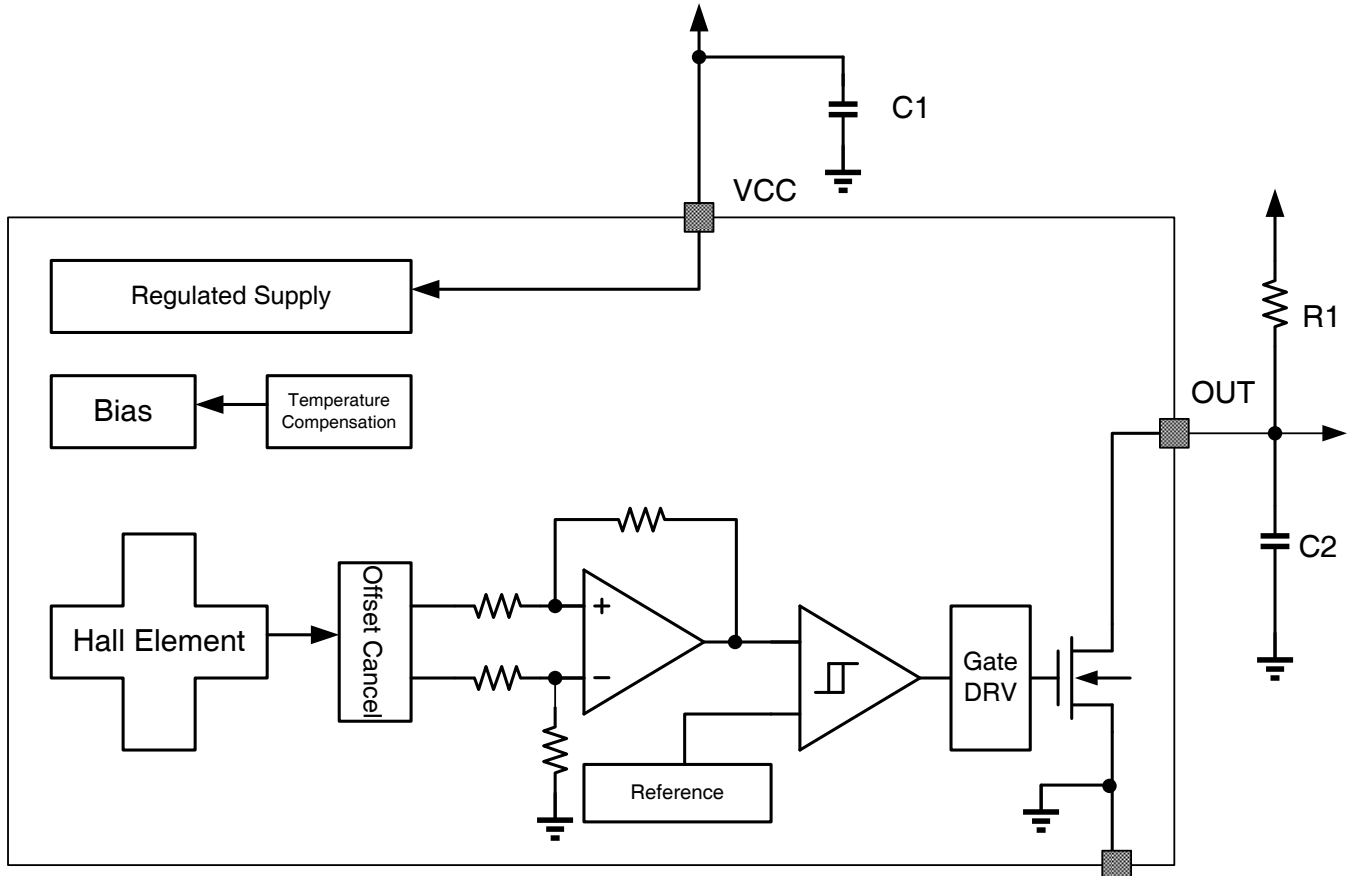
Function Description Overview

The SC244X device is a chopper-stabilized Hall sensor with a digital latched output for magnetic sensing applications. The device can be powered with a supply voltage between 2.5 and 24V, and continuously survives continuous -28V reverse-battery conditions. The device does not operate when -28 to 2.2V is applied to the VDD terminal (with respect to the GND terminal). In addition, the device can withstand voltages up to 40V for transient durations.

The output of SC244X switches low (turns on) when a magnetic field (South polarity) perpendicular to the Hall element exceeds the operate point threshold, B_{OP} . After turn-on, the output is capable of sinking 20mA and the output voltage is $V_{Q(sat)}$. When the magnetic field is reduced below the release point, B_{RP} , the device output goes high (turns off). The difference in the magnetic operate and release points is the hysteresis, B_{HYS} , of the device. This built-in hysteresis allows clean switching of the output even in the presence of external mechanical vibration and electrical noise.

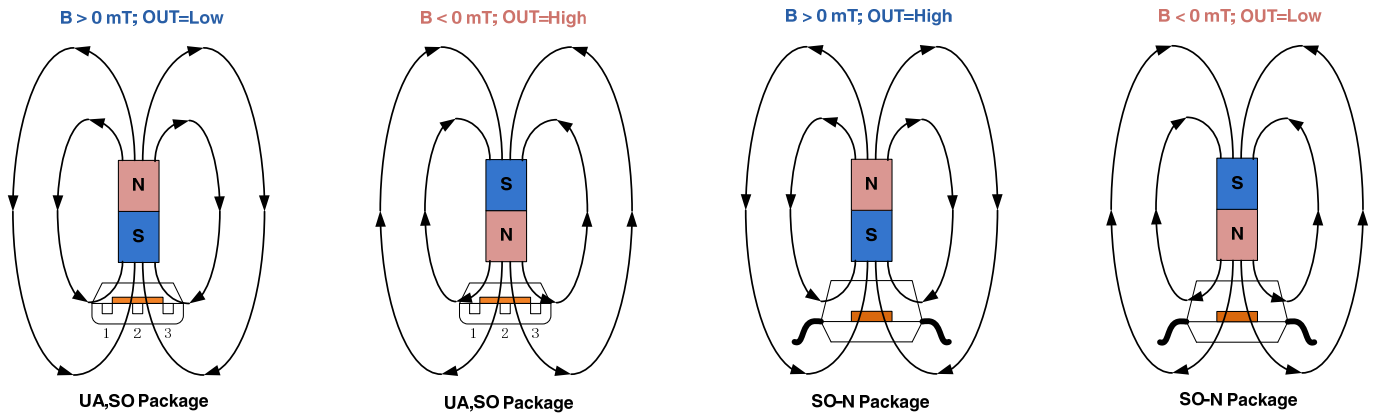
An external output pull-up resistor is required on the OUT terminal. The OUT terminal can be pulled up to V_{DD} or to a different voltage supply. This allows for easier interfacing with controller circuits.

Functional Block Diagram



Field Direction Definition

A positive magnetic field is defined as a South pole near the marked side of the package.



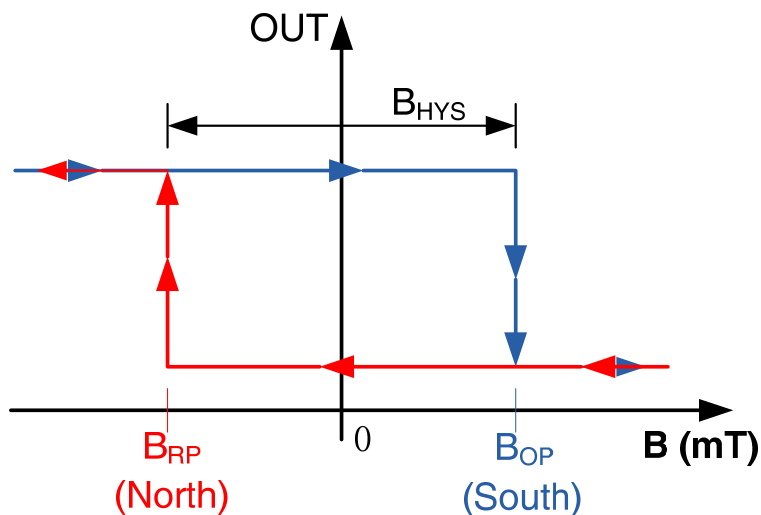
Transfer Function

Powering-on the device in the hysteresis region, less than B_{OP} and higher than B_{RP} , allows an indeterminate output state. The correct state is attained after the first excursion beyond B_{OP} or B_{RP} . If the field strength is greater than B_{OP} , then the output is pulled low. If the field strength is less than B_{RP} , the output is released.

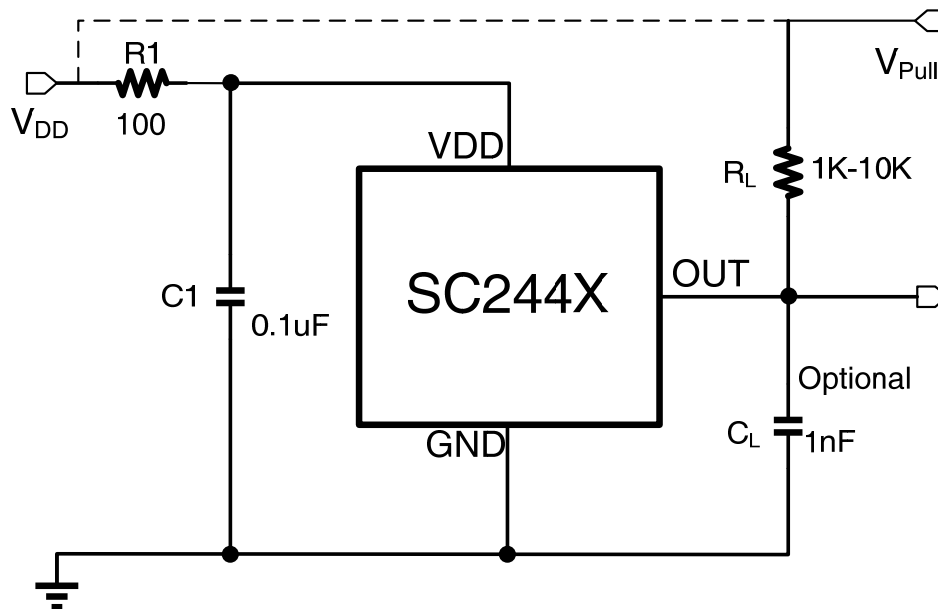
B_{OP} —magnetic threshold for activation of the device output, turning in ON (low) state

B_{RP} —magnetic threshold for release of the device output, turning in OFF (high) state.

$$B_{HYS} = B_{OP} - B_{RP}$$



Typical Application



The SC244X contains an on-chip voltage regulator and can operate over a wide supply voltage range. In applications that operate the device from an unregulated power supply, transient protection must be added externally. For applications using a regulated line, EMI/RFI protection may still be required. R1 is for improved C1 performance, and could be 100 or 200 Ω typically.

The SC244X device output stage uses an open-drain NMOS, and it is rated to sink up to 20mA of current. For proper operation, calculate the value of the pull-up resistor R_L is required. The size of R_L is a tradeoff between OUT rise time and the load capacity when OUT is pulled low. A lower current is generally better, however faster transitions and bandwidth require a smaller resistor for faster switching.

Select a value for C_L based on the system bandwidth specifications as:

$$2 \times f \text{ (Hz)} = \frac{1}{2\pi \times R \times C}$$

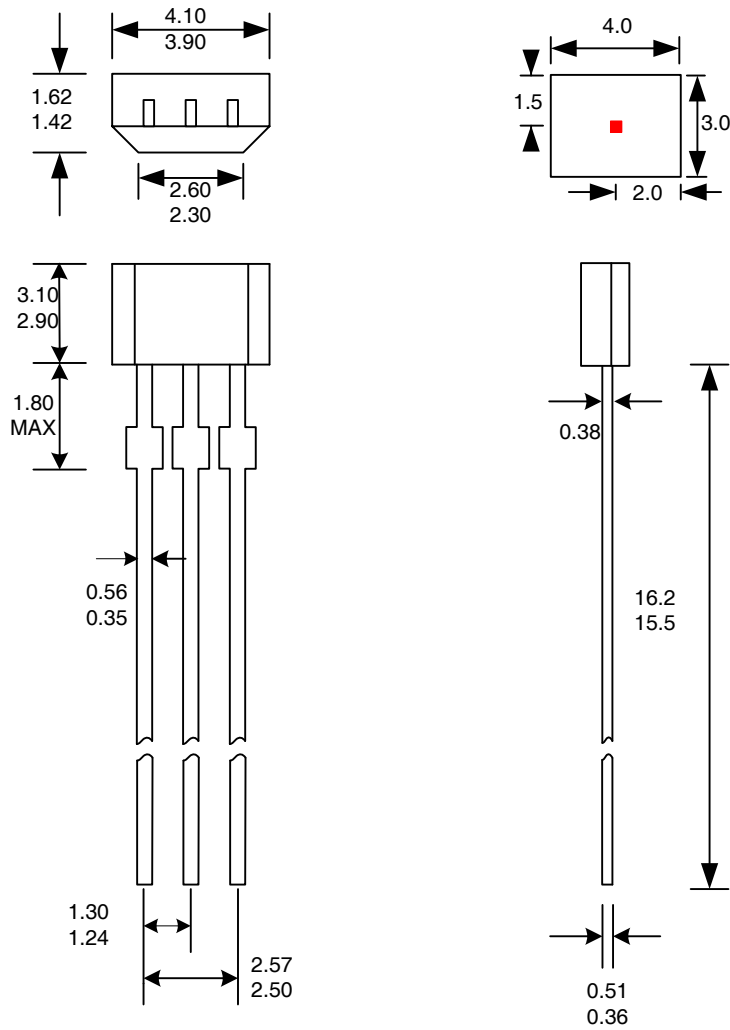
Most applications do not require this C_L filtering capacitor.

V_{PULL} is not restricted to V_{DD} , and could be connected to other voltage reference. The allowable voltage range of this terminal is specified in the Absolute Maximum Ratings.

Mechanical Dimensions

3-Terminal UA Package

Dimension:mm



Notes:

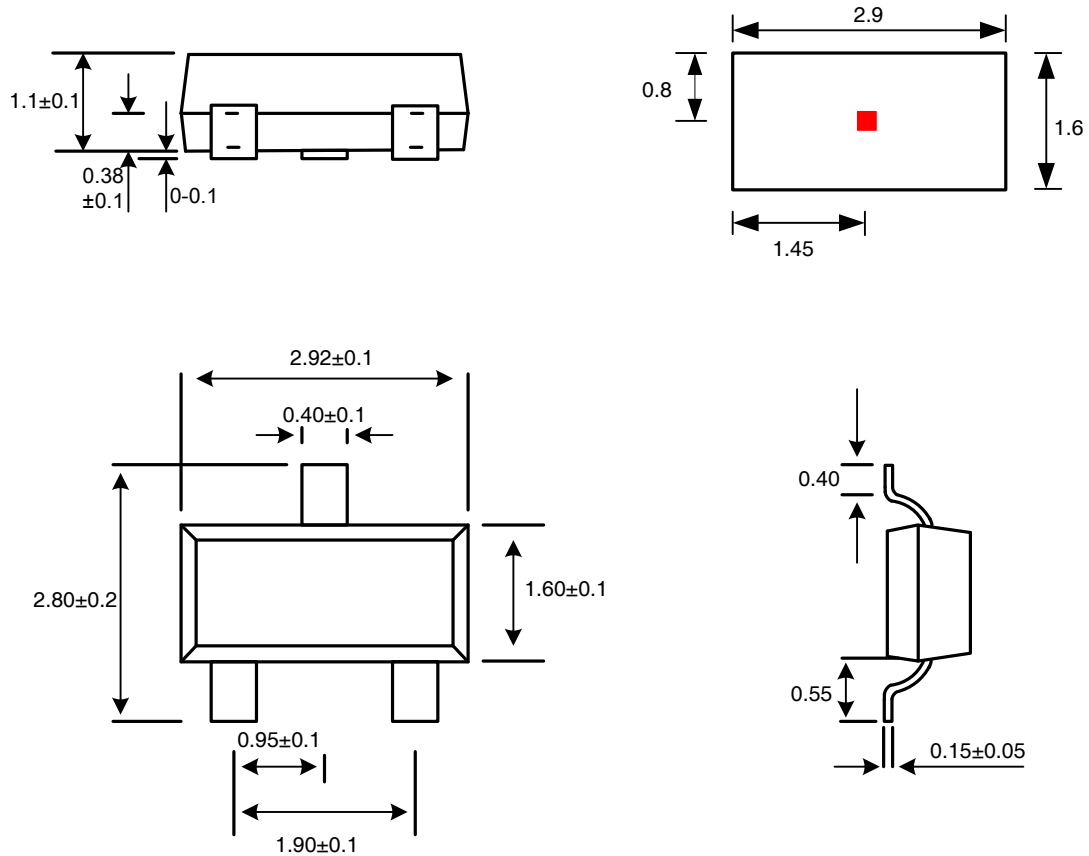
1. Exact body and lead configuration at vendor's option within limits shown.
2. Height does not include mold gate flash.

Where no tolerance is specified, dimension is nominal.

Mechanical Dimensions

3-Terminal SO Package

Dimension:mm



Notes:

1. Exact body and lead configuration at vendor's option within limits shown.
2. Height does not include mold gate flash.

Where no tolerance is specified, dimension is nominal.

X-ON Electronics

Largest Supplier of Electrical and Electronic Components

Click to view similar products for [Board Mount Hall Effect/Magnetic Sensors](#) category:

Click to view products by [Semiment](#) manufacturer:

Other Similar products are found below :

[HGPRDT005A](#) [AH277AZ4-AG1](#) [AV-10379](#) [AV-10448](#) [SS41C](#) [AH1894-Z-7](#) [TLE4917](#) [50017859-003](#) [TY-13101](#) [TLE4976L](#) [SS85CA](#)
[BU52002GUL-E2](#) [BU52003GUL-E2](#) [AH277AZ4-BG1](#) [TLE49614MXTSA1](#) [AH211Z4-AG1](#) [AH3360-FT4-7](#) [TLE4941-1](#) [SS460S-](#)
[100SAMPLE](#) [50065820-03](#) [AH374-P-A](#) [AH1806-P-A](#) [TLE49595UFXHALA1](#) [SS460P-T2](#) [AH1913-W-7](#) [AH3373-P-B](#)
[TLE9852QXXUMA1](#) [TLE5046ICAKLRHALA1](#) [AH1903-FA-EVM](#) [AH49FNTR-EVM](#) [AH8502-FDC-EVM](#) [AH3774-P-EVM](#)
[TLE4998S3XALA1](#) [TLE5011FUMA1](#) [TLE5027CE6747HAMA1](#) [TLE5109A16E1210XUMA1](#) [TLI4966GHTSA1](#) [TLI4906KHTSA1](#)
[MA710GQ-P](#) [S-57K1NBL2A-M3T2U](#) [S-57P1NBL9S-M3T4U](#) [S-576ZNL2B-L3T2U](#) [S-576ZNL2B-A6T8U](#) [S-57P1NBL0S-M3T4U](#) [S-](#)
[57A1NSL1A-M3T2U](#) [S-57K1RBL1A-M3T2U](#) [S-57P1NBH9S-M3T4U](#) [S-57P1NBH0S-M3T4U](#) [S-57A1NSH1A-M3T2U](#) [S-57A1NSH2A-](#)
[M3T2U](#)