

## Linear Hall Effect Sensor ICs with Analog Output

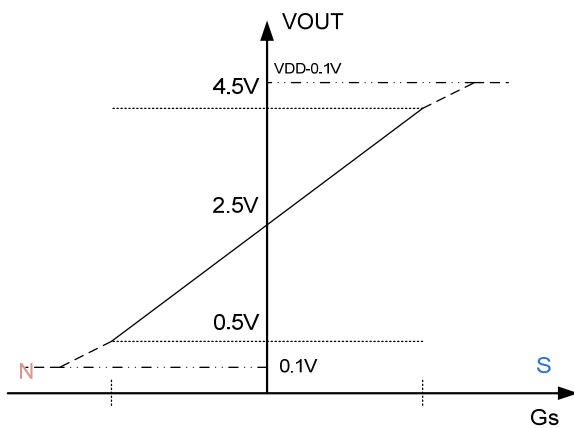
### Features

- 3.5 to 10.5V wide supply voltage range
- 4.5mA power consumption for 5 VDC
- Output voltage proportional to magnetic flux density
- -40°C to 150°C wide ambient temperature range
- Fast power-on time
- Resistant to mechanical stress
- 3-pin SIP and SOT89-3 package are available

### Applications

- Angular position
- Position sensing
- Over-current detection
- BLDC motor current monitoring
- Weigh and liquid level sensing

### Output State



### Description

The SC400X family is high performance small versatile linear Hall-Effect devices which are operated by the magnetic field from a permanent magnet or an electromagnet. The ratio metric output voltage is set by the supply voltage and varies in proportion to the strength of the magnetic. The quiescent output voltage of the SC4002 and SC4003 is 50% of the supply voltage, and the sensitivity is 3.125mV/Gs, 5.0mV/Gs and 2.5mV/Gs respectively.

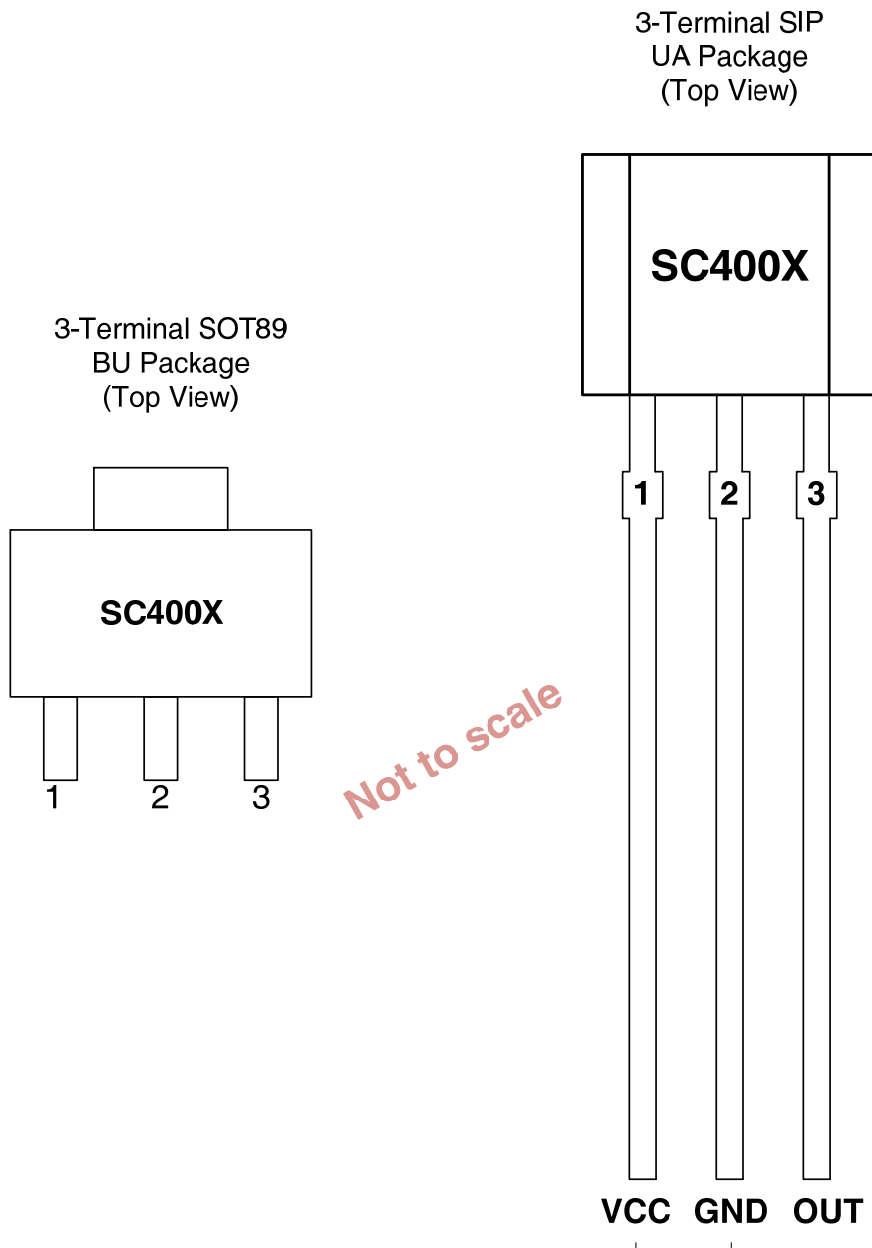
The SC400X family provides low-noise output with temperature compensation. The linear position sensor ICs have an operating temperature range of -40°C to 150°C, appropriate for industrial environments.

These devices are available in a 3-pin SIP and SOT89 packages. Both packages are lead (Pb) free, with 100% matte tin leadframe plating.

**Device Information**

<b>Part Number</b>	<b>Packing</b>	<b>Mounting</b>	<b>Ambient, T<sub>A</sub></b>	<b>Marking</b>
SC4002UA	1000 pieces/Bag	SIP3	-40°C to 150°C	4002
SC4002BU	1000 pieces/Reel	3-pin SOT89	-40°C to 150°C	4002
SC4003UA	1000 pieces/Bag	SIP3	-40°C to 150°C	4003
SC4005UA	1000 pieces/Bag	SIP3	-40°C to 150°C	4005

### Terminal Configuration and Functions



Terminal		Type	Description
Name	Number		
VCC	1	PWR	3.5 to 10.5 V power supply
GND	2	Ground	Ground terminal
OUT	3	Output	Output terminal

## Absolute Maximum Ratings

over operating free-air temperature range

Parameter	Symbol	Min.	Max.	Units
Power supply voltage	$V_{CC}$	-0.5	30.0	V
Output terminal voltage	$V_{OUT}$	-0.3	30.0	V
Supply current	$I_{CC}$	--	20	mA
Output current	$I_{OUT}$	--	2	mA
Operating ambient temperature	$T_A$	-40	150	°C
Operating junction temperature	$T_J$	-50	165	°C
Storage temperature	$T_{STG}$	-65	175	°C

*Note: Stresses above those listed here may cause permanent damage to the device. Exposure to absolute maximum rating conditions for extended periods may affect device reliability.*

## ESD Protection

Human Body Model (HBM) tests according to: standard EIA/JESD22-A114-B HBM

Parameter	Symbol	Min.	Max.	Units
HBM ESD stress voltage	$V_{ESD}$	-4000	4000	V

## Operating Characteristics

over operating free-air temperature range ( $V_{CC}=5V$ , unless otherwise noted)

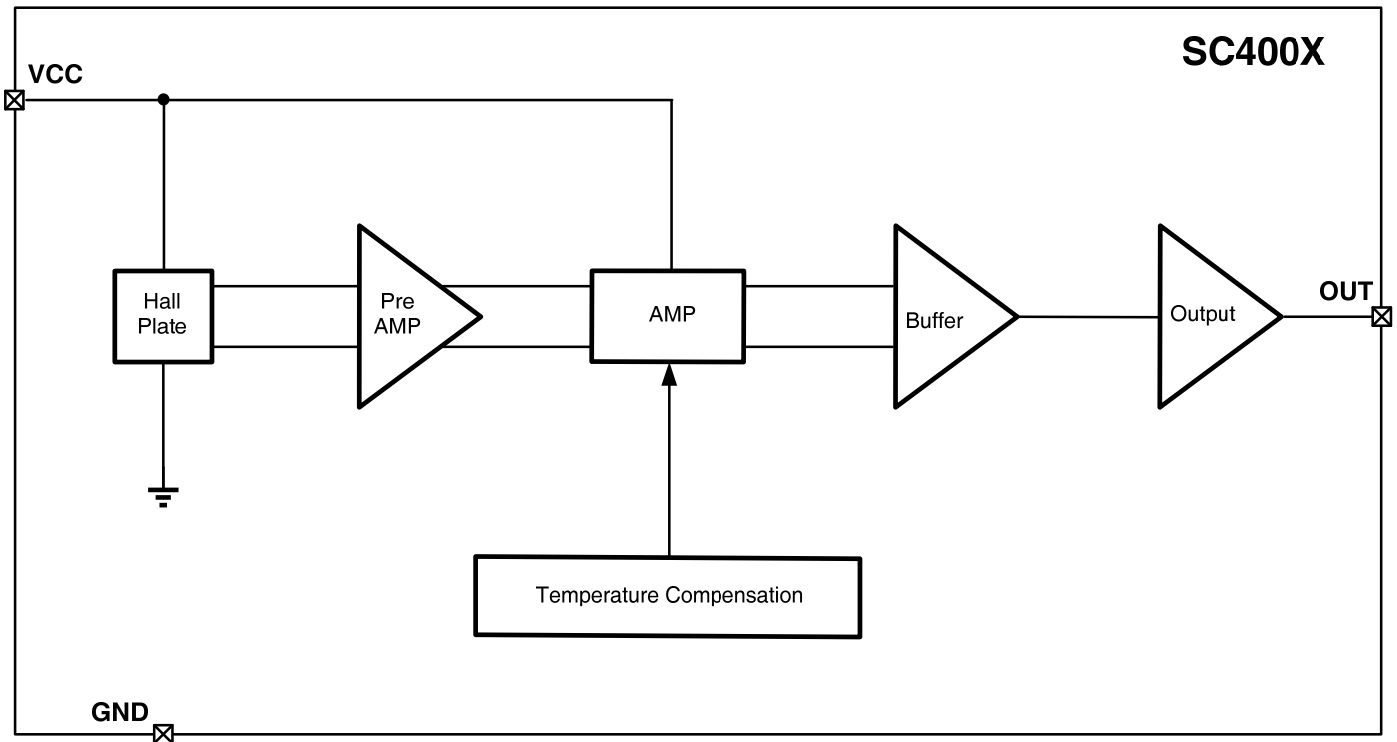
Parameter	Symbol	Test Conditions	Min.	Typ.	Max.	Units
Supply voltage	$V_{CC}$	$T_J < T_{J(Max)}$	3.5	5.0	10.5	V
Supply current	$I_{CC}$	$V_{CC}=5.0V, T_A=25^\circ C$	2.5	4.5	10.0	mA
Output load resistance	$R_L$	OUT to VCC	2	--	--	k $\Omega$
		OUT to GND	2	--	--	
Output voltage range	$V_{OUT(H)}$	$T_A=25^\circ C, B=1000Gs$	4.8	4.9	--	V
	$V_{OUT(L)}$	$T_A=25^\circ C, B=-1000Gs$	--	0.1	0.2	V
Quiescent voltage output	$V_{OUT(Q)}$	$B=0 Gs, T_A=25^\circ C$	2.3	2.5	2.7	V
Sensitivity	Sens	SC4002, $T_A=25^\circ C$	2.75	3.125	3.5	mV/Gs
		SC4003, $T_A=25^\circ C$	4.0	5.0	6.0	
		SC4005, $T_A=25^\circ C$	2.0	2.5	3.0	
Linearity	Lin		--	--	$\pm 1$	%
Delta sensitivity vs. temp.	$\Delta$ Sens	$T_A = -40^\circ C$ to $105^\circ C$	--	--	$\pm 10$	%
Step response time	$t_{resp}$	Delay the output signal reaching 90%	--	1	--	$\mu S$

1Gs = 0.1mT

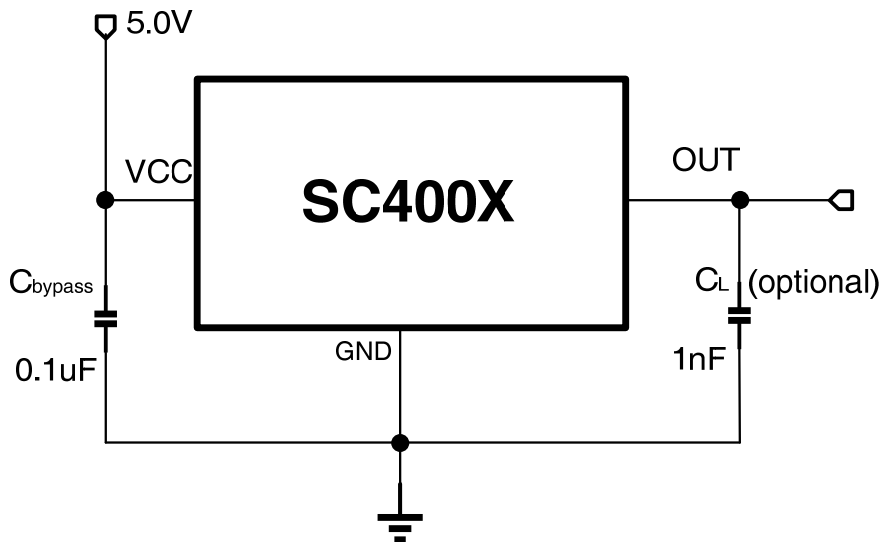
## Thermal Characteristics

Parameter	Symbol	Test Conditions	Rating	Units
Package thermal resistance	$R_{\theta A}$	Single-layer PCB, with copper limited to solder pads	166	$^\circ C/W$

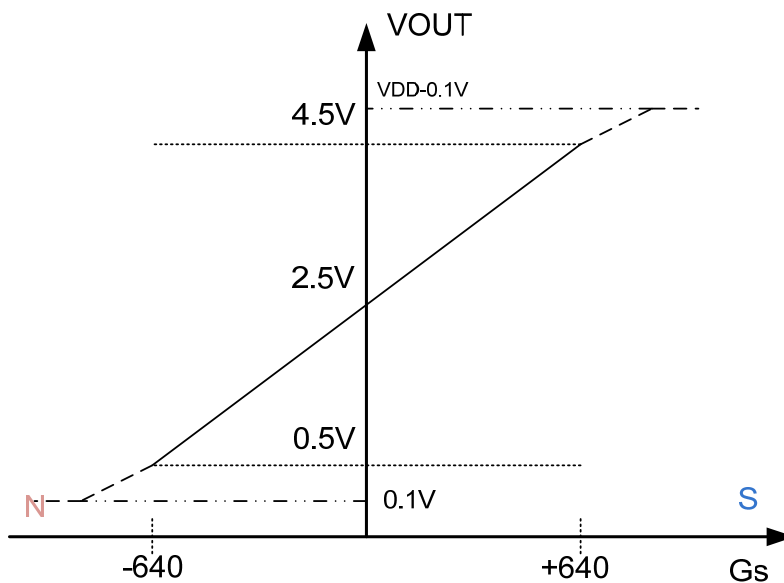
### Functional Block Diagram



Typical Application Drawing



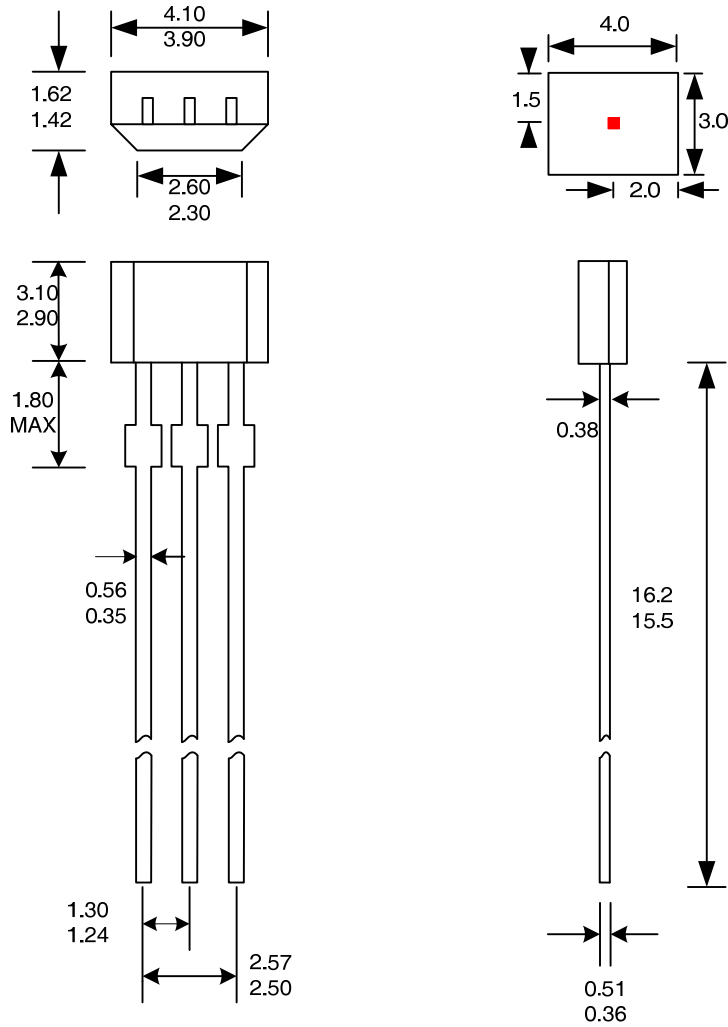
In the quiescent state (that is, with no significant magnetic field:  $B=0$ ), the output,  $V_{OUT(Q)}$ , equals to half of the supply voltage,  $V_{CC}$ , throughout the entire operating range of  $V_{CC}$ . The presence of a South-polarity magnetic field perpendicular to the branded surface of the package increases the output voltage from its quiescent value toward the supply voltage rail. The amount of the output voltage increase is proportional to the magnitude of the magnetic field applied. Conversely, the application of a North polarity field will decrease the output voltage from its quiescent value. This proportionality is specified as the magnetic sensitivity,  $Sens$  (mV/Gs), of the device.



Package Designator

3-Terminal  
UA Package

Dimension:mm



Notes:

1. Exact body and lead configuration at vendor's option within limits shown.
2. Height does not include mold gate flash.

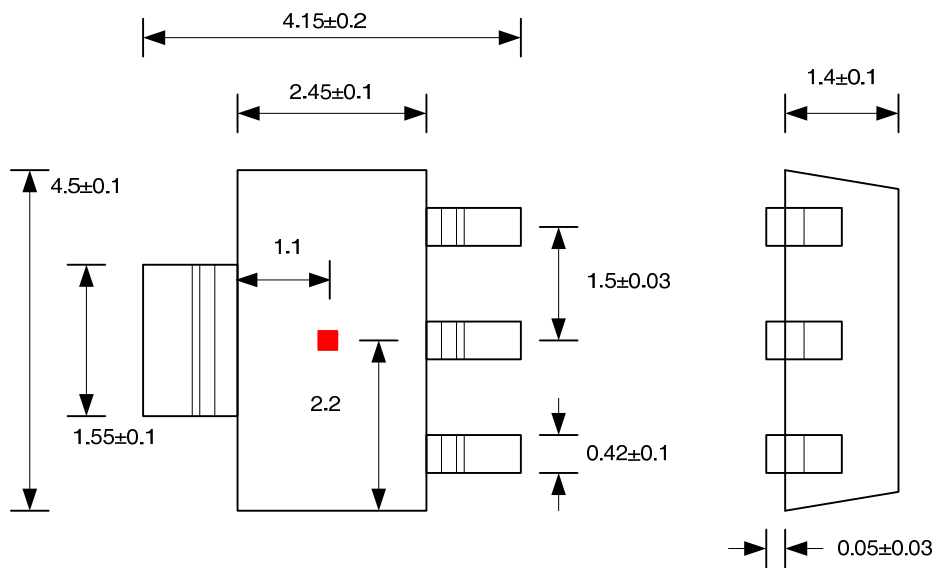
Where no tolerance is specified, dimension is nominal.



Package Designator

4-Terminal  
BU Package

Dimension: mm



Notes:

1. Exact body and lead configuration at vendor's option within limits shown.
2. Height does not include mold gate flash.

Where no tolerance is specified, dimension is nominal.

## X-ON Electronics

Largest Supplier of Electrical and Electronic Components

*Click to view similar products for [Board Mount Hall Effect/Magnetic Sensors](#) category:*

*Click to view products by [Semiment](#) manufacturer:*

Other Similar products are found below :

[HGPRDT005A](#) [AH277AZ4-AG1](#) [AV-10379](#) [AV-10448](#) [SS41C](#) [AH1894-Z-7](#) [TLE4917](#) [50017859-003](#) [TY-13101](#) [TLE4976L](#) [SS85CA](#)  
[BU52002GUL-E2](#) [BU52003GUL-E2](#) [AH277AZ4-BG1](#) [TLE49614MXTSA1](#) [AH211Z4-AG1](#) [AH3360-FT4-7](#) [TLE4941-1](#) [SS460S-](#)  
[100SAMPLE](#) [50065820-03](#) [AH374-P-A](#) [AH3372-P-B](#) [AH1806-P-A](#) [TLE49595UFXHALA1](#) [SS460P-T2](#) [AH1913-W-7](#) [AH3373-P-B](#)  
[TLE9852QXXUMA1](#) [TLE5046ICAKLRHALA1](#) [AH1903-FA-EVM](#) [AH49FNTR-EVM](#) [AH8502-FDC-EVM](#) [AH3774-P-EVM](#)  
[TLE4998S3XALA1](#) [TLE5011FUMA1](#) [TLE5027CE6747HAMA1](#) [TLE5109A16E1210XUMA1](#) [TLI4966GHTSA1](#) [TLI4906KHTSA1](#)  
[MA710GQ-P](#) [S-57K1NBL2A-M3T2U](#) [S-57P1NBL9S-M3T4U](#) [S-576ZNL2B-L3T2U](#) [S-576ZNL2B-A6T8U](#) [S-57P1NBL0S-M3T4U](#) [S-](#)  
[57A1NSL1A-M3T2U](#) [S-57K1RBL1A-M3T2U](#) [S-57P1NBH9S-M3T4U](#) [S-57P1NBH0S-M3T4U](#) [S-57A1NSH1A-M3T2U](#)