
Unipolar Hall Effect Switches

Description

The SC44L Hall-Effect switch series is monolithic integrated circuits with tighter magnetic specifications, designed to operate continuously over extended temperatures to +150°C, and are more stable with both temperature and supply voltage changes. The negative compensation slope is optimized to match the negative temperature coefficient of low cost magnets.

Each device includes a voltage regulator for operation with supply voltages of 3.8 to 40V volts, quadratic Hall-voltage generator, temperature compensation circuitry, small-signal amplifier, Schmitt trigger, and an open-collector output to sink up to 40mA.

Features and Benefits

- 3.8 to 40V supply voltage
- High transient voltage protection
- 40mA sinking capability
- High ESD rating
- 3-pin SIP package
- RoHs compliant

Potential Applications

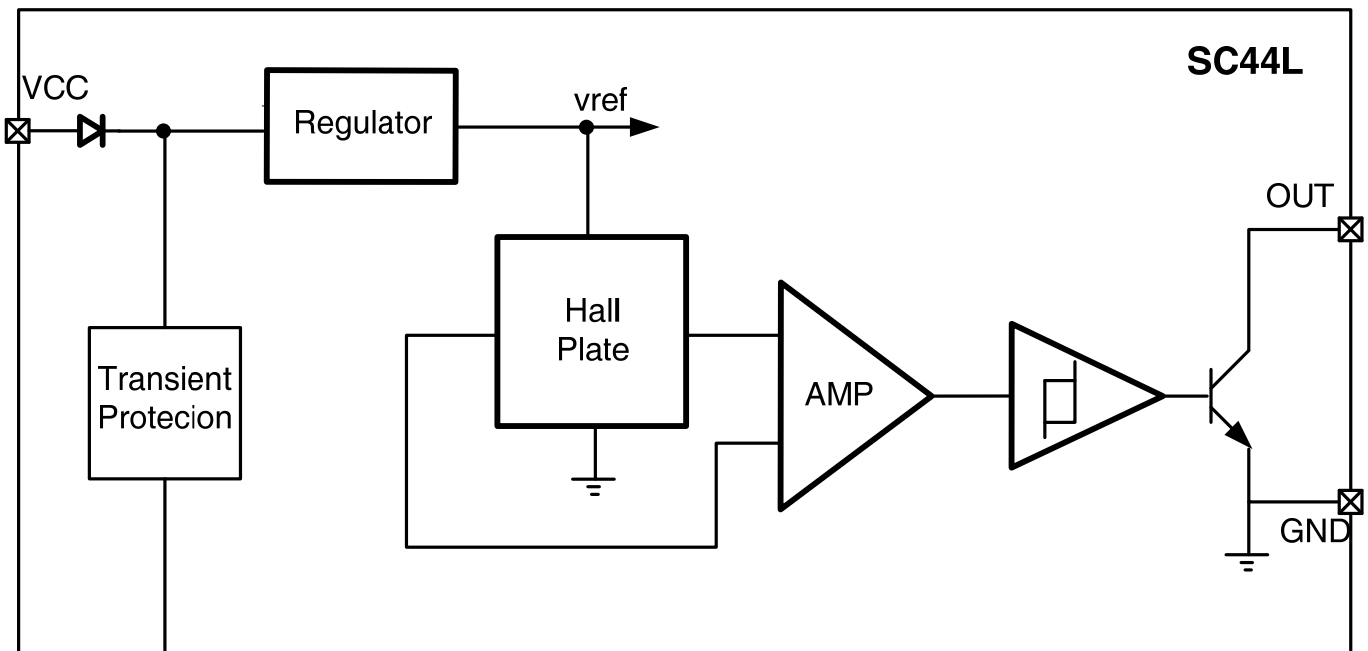
- Brushless DC motor
- Position sensor
- Motor and fan control
- Auto-motive transmission position

Device Information

Part Number	Packing	Mounting	Ambient, T _A	Marking
SC44L	1000 pieces/Bag	SIP3	-40°C to 150°C	44L

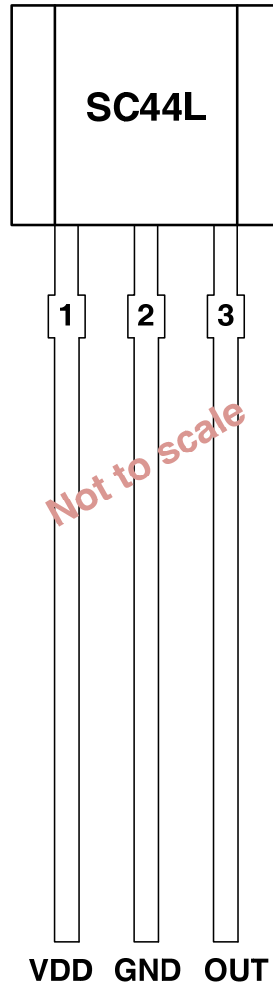
Block Diagram

The circuit includes Hall generator, amplifier and Schmitt-Trigger on one chip. The internal reference provides the supply voltage for the components. A magnetic field perpendicular to the chip surface induces a voltage at the Hall probe. This voltage is amplified and switches as a Schmitt-Trigger with open-collector output. A protection diode against reverse power supply is integrated.



Pin Description

3-Terminal SIP
 UA Package
 (Top View)



Terminal		Type	Description
Name	Number		
VDD	1	PWR	3.8 to 40 V power supply
GND	2	Ground	Ground terminal
OUT	3	Output	Open-drain output

Absolute Maximum Ratings

over operating free-air temperature range (unless otherwise noted) ⁽¹⁾

Parameter	Symbol	Min.	Max.	Units
Power supply voltage	V _{CC}	-40 ⁽²⁾	60	V
Output terminal voltage	V _{OUT}	-0.5	60	V
Output terminal current sink	I _{SINK}	0	50	mA
Operating ambient temperature	T _A	-40	150	°C
Maximum junction temperature	T _J	-55	165	°C
Storage temperature	T _{STG}	-65	175	°C

⁽¹⁾Stresses above those listed here may cause permanent damage to the device. Exposure to absolute maximum rating conditions for extended periods may affect device reliability.

⁽²⁾Ensured by design.

Electrical and magnetic Specifications

over operating free-air temperature range ($V_{CC} = 5V$, unless otherwise noted)

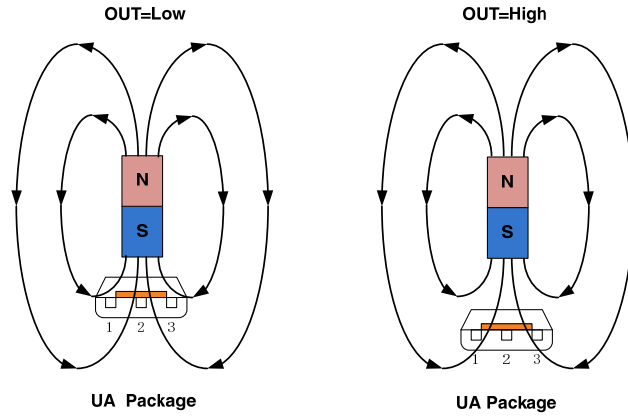
Symbol	Parameter	Test Conditions	Min.	Typ.	Max.	Units
V_{CC}	Operating voltage ⁽¹⁾	$T_J < T_{J(Max.)}$	3.8	--	40	V
V_{CCR}	Reverse supply voltage	$T_A = 25^\circ C$	-40	--	--	V
I_{CC}	Operating supply current	$V_{CC} = 3.8$ to 40 V	--	4.0	10	mA
I_{QL}	Off-state leakage current	Output Hi-Z	--	--	3	μA
V_{SAT}	Output saturation voltage	$I_Q = 20mA$, $T_A = 25^\circ C$	--	--	300	mV
t_r	Output rise time	$R_1 = 1Kohm$ $C_o = 20pF$	--	--	1.5	μS
t_f	Output fall time	$R_1 = 1Kohm$ $C_o = 20pF$	--	--	1.5	μS
Magnetic Characteristics						
f_{BW}	Bandwidth		--	--	100	kHz
B_{OP}	Operated point	$T_A = 25^\circ C$	9.5	12.0	16.5	$mT^{(2)}$
B_{RP}	Release point		5.5	9.5	14.0	mT
B_{HYS}	Hysteresis	$B_{OP} - B_{RP}$	--	2.5	--	mT

⁽¹⁾ Maximum voltage must be adjusted for power dissipation and junction temperature, see Thermal Characteristics

⁽²⁾ $1mT = 10Gs$

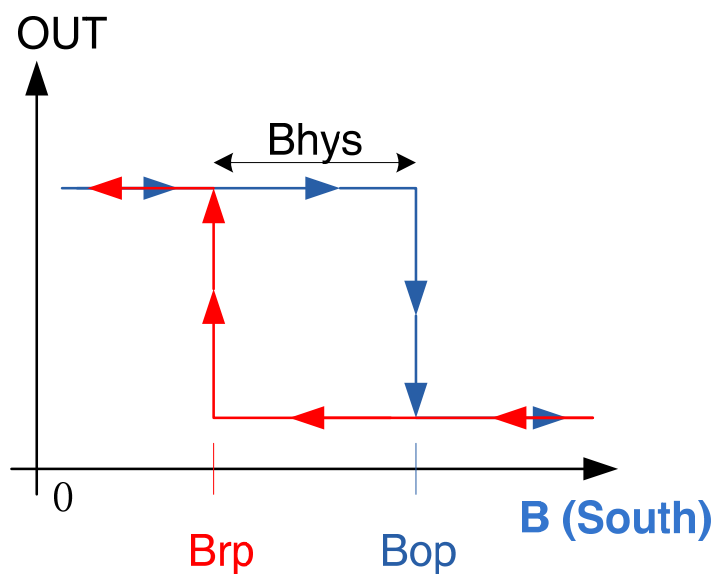
Field Direction Definition

A positive magnetic field is defined as a South pole near the marked side of the package.

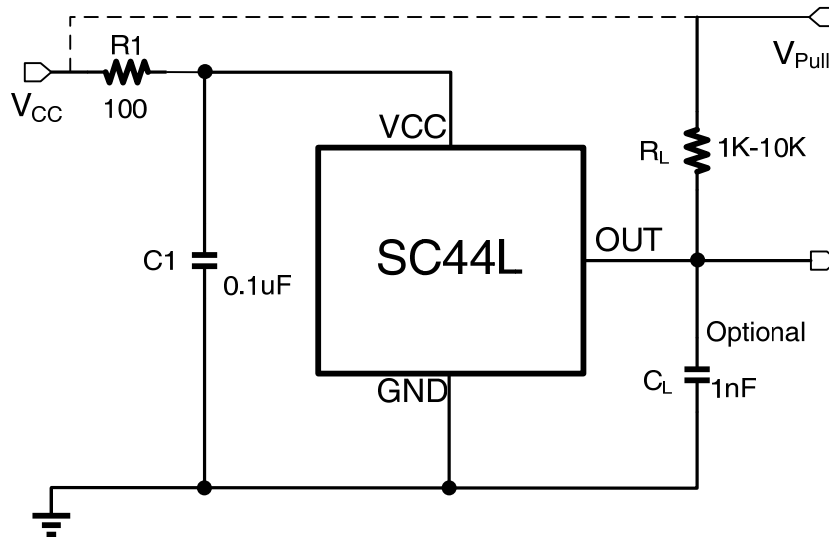


Transfer Function

Powering-on the device in the hysteresis region, less than B_{OP} and higher than B_{RP} , allows an indeterminate output state. The correct state is attained after the first excursion beyond B_{OP} or B_{RP} . If the field strength is greater than B_{OP} , then the output is pulled low. If the field strength is less than B_{RP} , the output is released.



Typical Application



The SC44L contains an on-chip voltage regulator and can operate over a wide supply voltage range. In applications that operate the device from an unregulated power supply, transient protection must be added externally. For applications using a regulated line, EMI/RFI protection may still be required. R1 is for improved CI performance, and could be 100 or 200 Ω typically.

The SC44L device output stage uses an open-drain NPN transistor, and it is rated to sink up to 40mA of current. For proper operation, calculate the value of the pull-up resistor R_L is required. The size of R_L is a tradeoff between OUT rise time and the load capacity when OUT is pulled low. A lower current is generally better, however faster transitions and bandwidth require a smaller resistor for faster switching.

Select a vaule for C_L based on the system bandwidth specifications as:

$$2 \times f \text{ (Hz)} = \frac{1}{2\pi \times R \times C}$$

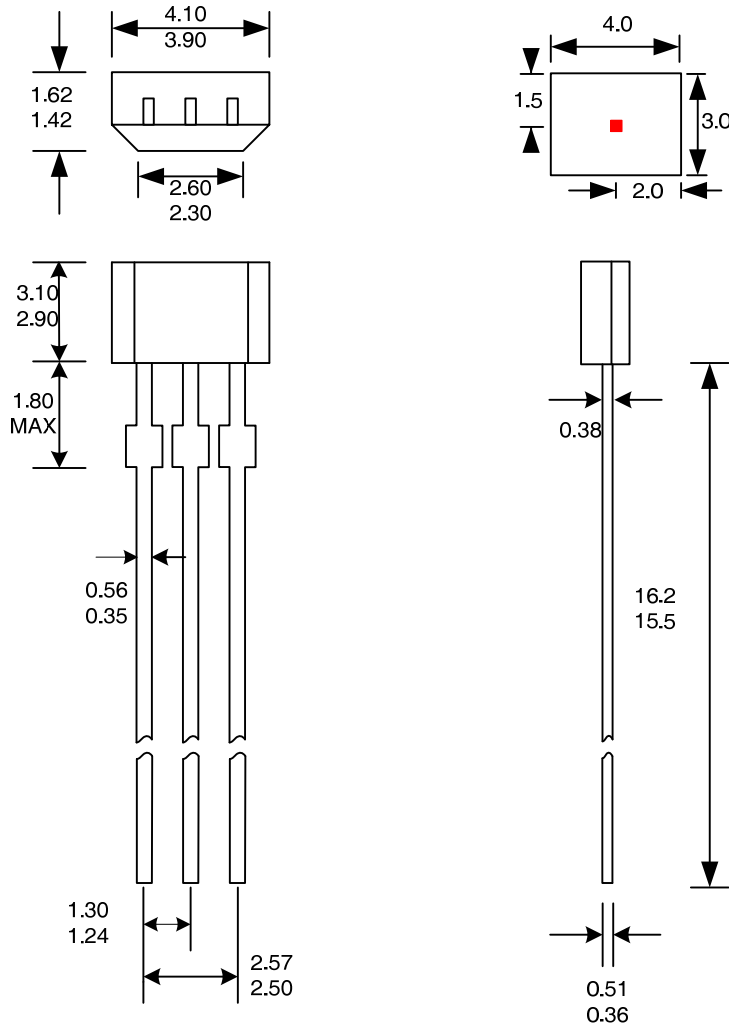
Most applications do not require this C_L filtering capacitor.

V_{PULL} is not restricted to V_{CC} , and could be connected to other voltage reference. The allowable voltage range of this terminal is specified in the Absolute Maximum Ratings.

Mechanical Dimensions

3-Terminal UA Package

Dimension:mm



Notes:

1. Exact body and lead configuration at vendor's option within limits shown.
2. Height does not include mold gate flash.

Where no tolerance is specified, dimension is nominal.

X-ON Electronics

Largest Supplier of Electrical and Electronic Components

Click to view similar products for [Industrial Hall Effect/Magnetic Sensors](#) category:

Click to view products by [Semiment](#) manufacturer:

Other Similar products are found below :

[GT-13013](#) [GT-13040](#) [GT-14114](#) [DRR-129\(62-68\)](#) [ATS682LSHTN-T](#) [SR4P2-C7](#) [GT-13012](#) [GT-14049](#) [GT-14067](#) [GT-14132](#) [GT-18030](#)
[103FW12-R3](#) [A1155LLHLT-T](#) [SMSA2P30CG](#) [P2D-000](#) [GN 55.2-SC-15-3](#) [GN 55.2-SC-5-3](#) [MZA70175](#) [103FW41-R1](#) [KJR-D100AN-](#)
[DNA-VE](#) [KJR-D100AN-DNIA-V2](#) [SR-10018](#) [115L 14E 502 W06017](#) [ATS128LSETN-T](#) [TLE4906LHALA1](#) [TLE49452LHALA1](#)
[BU52013HFV-TR](#) [MRMS591A](#) [103SR14A-1](#) [MZT7-03VPS-KR0](#) [MZT7-03VPS-KW0](#) [MZT8-03VPS-KW0](#) [MZT8-28VPS-KP0](#)
[A1326LLHLX-T](#) [A1326LLHLT-T](#) [A1156LLHLT-T](#) [ACS770LCB-100U-PFF-T](#) [ATS617LSGTN-T](#) [AH49ENTR-G1](#) [SS360PT](#) [SS311PT](#)
[GN 55.2-ND-15-3](#) [GN 55.2-ND-18-3](#) [GN 55.2-ND-4-3](#) [GN 55.2-ND-8-3](#) [GN 55.2-SC-10-3](#) [GN 55.4-ND-10-7,5-2](#) [GN 55.4-ND-12-9,5-2,5](#)
[GN 55.4-ND-26-20,3-5](#) [GN 55.4-ND-7,5-4-1,5](#)