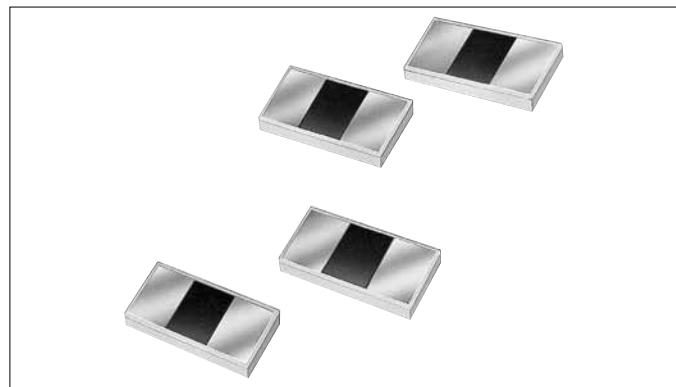


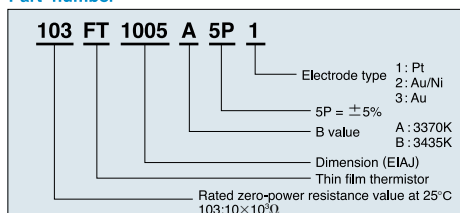
# THIN FILM TYPE THERMISTOR

## FT THERMISTOR

The FT thermistors, the highly reliable thermistors, are characterized by their fast response time, which was made possible by the miniaturization of the thermistor dimensions. FT thermistors are also heat-resistant type. FT thermistors are the most excellent products of today's chip thermistors manufacturing.



### Part number



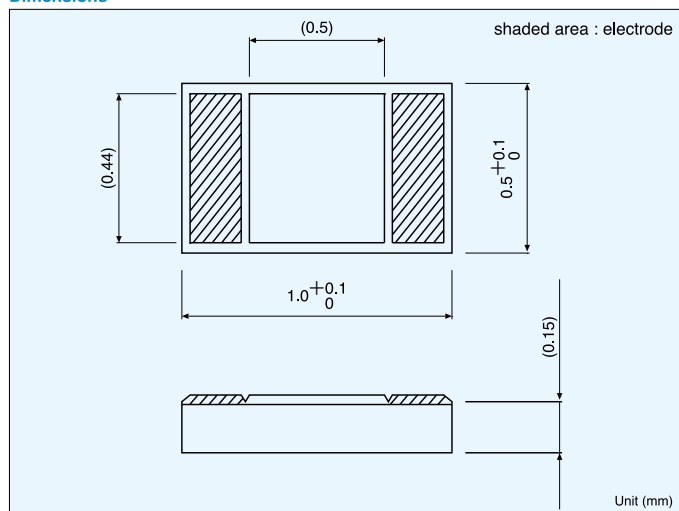
### APPLICATION

OA sensor, Measuring instrument, Medical instrument, LCD, etc.

	Electrode type	Connection method	Temperature range in use (°C)
1	Pt	Conductive resins	-40~+250(+350)
2	Au/Ni	Solder	-40~+125
3	Au	Wire-bonding	-40~+250

We can also custom-make FT THERMISTOR to better suit your applications. Please consult our sales staff.

### Dimensions



### Specifications

Part No.	R <sub>25</sub> *1	B value*2	Dissipation factor (mW/°C) Approx.	Thermal time constant(s)*3 Approx.	Rated maximum power dissipation (at 25°C)(mW)
103FT1005	10kΩ±5%	3435K±1%	0.3	1.0	1.5
		3370K±1%			
503FT1005	50kΩ±5%	3435K±1%			
		3370K±1%			
364FT1005	360kΩ±5%	3370K±1%			

\*1 R<sub>25</sub>: Rated zero-power resistance value at 25°C.

\*2 B value: determined by rated zero-power resistance at 25°C and 85°C.

\*3 Time when thermistor temperature reaches 63.2% of the temperature difference. The value is measured in the air.

### Resistance-Temperature

Temperature (°C)	P/N					Temperature (°C)	P/N				
	103FT		503FT		364FT		103FT		503FT		364FT
	B=3370K	B=3435K	B=3370K	B=3435K	B=3370K		B=3370K	B=3435K	B=3370K	B=3435K	B=3370K
-40	187.9	200.7	939.3	1002	6763	110	0.8003	0.7662	4.002	3.829	28.81
-30	110.7	117.0	553.4	584.7	3984	120	0.6345	0.6064	3.172	3.029	22.84
-20	67.26	70.34	336.3	351.9	2421	125	0.5671	0.5418	2.836	2.706	20.42
-10	42.10	43.55	210.5	217.7	1516	130					18.30
0	27.07	27.71	135.3	138.5	974.8	140					14.81
10	17.86	18.11	89.31	90.48	643.0	150					12.09
20	12.07	12.12	60.33	60.58	434.4	160					9.963
25	10.00	10.00	50.00	50.00	360.0	170					8.274
30	8.332	8.299	41.66	41.50	299.9	180					6.925
40	5.871	5.804	29.36	29.03	211.4	190					5.837
50	4.216	4.139	21.08	20.70	151.8	200					4.954
60	3.081	3.006	15.40	15.04	110.9	210					4.232
70	2.288	2.220	11.44	11.11	82.36	220					3.636
80	1.725	1.666	8.623	8.331	62.09	230					3.142
90	1.318	1.269	6.592	6.344	47.46	240					2.731
100	1.021	0.9797	5.105	4.898	36.76	250					2.385

Unit (kΩ)

## X-ON Electronics

Largest Supplier of Electrical and Electronic Components

*Click to view similar products for* [NTC \(Negative Temperature Coefficient\) Thermistors](#) *category:*

*Click to view products by* [Semitec](#) *manufacturer:*

Other Similar products are found below :

[118-253FAJ-P01](#) [121-202EAC-P01](#) [123-802EAJ-P01](#) [128-105NDP-Q02](#) [NTCLE410E3103F](#) [199-303KAF-A02](#) [30054-4](#) [M09N038F](#) [500-52AA04-101](#) [526-31AA19-104](#) [526-31AN12-202](#) [103AT-5-1P-FT](#) [10K3A542I](#) [111-802EAJ-901](#) [112-103FAG-H02](#) [111-182CAG-H01](#) [112-103FAF-H01](#) [526-31AA79-102](#) [44015RC](#) [194303KEVA01](#) [B57359V2224J260](#) [B57621C5472K062](#) [B57230V2103H260](#) [121-103FAC-Q02](#) [199-202FAD-A02](#) [CL109R4120](#) [GA100K6D234](#) [NXFT15WF104FEAB025](#) [NXFT15XV103FEAB030](#) [NXFT15XH103FEAB040](#) [USUR1000-502G-06](#) [GA10K3MR1I](#) [GA1K7CG3](#) [NXFT15WB473FEAB030](#) [GA10K3A542I](#) [PANR103338-490](#) [JSNA104F425FABXG](#) [JSNA103F345FABXG](#) [JSNA473F405FABXG](#) [JSNA103J395HABXG](#) [JSNA103F344FBBXG](#) [JSNA103F338FABXG](#) [JSNA103F395FABXG](#) [SDNT1005X103F4050FTF](#) [SDNT1005X104F3950FTF](#) [SDNT1005X473J4050HTF](#) [NTCF044EF474FTBX](#) [KNTC0603/100KF4250](#) [NTDM1003FB39500148](#) [CMFA103J3380HANT](#)