

#### POWER DISCRETES

#### Description

Quick reference data

$V_R$  50 -150 V

$I_F$  1N5802US to 1N5806US = 2.5A

$t_{rr}$  1N5802US to 1N5806US = 25nS

$I_R$  1N5802US to 1N5806US = 1 $\mu$ A

#### Features

- ◆ Very low reverse recovery time
- ◆ Hermetically sealed non-cavity construction
- ◆ Soft, non-snap, off recovery characteristics
- ◆ Very low forward voltage drop

These products are qualified to MIL-PRF-19500/477 and are preferred parts as listed in MIL-HDBK-5961. They can be supplied fully released as JANTX, JANTXV and JANS versions.

#### Electrical Specifications

Electrical specifications @  $T_A = 25^\circ\text{C}$  unless otherwise specified.

	Symbol	1N5802US	1N5804US	1N5806US	Units
Working Reverse Voltage	$V_{RWM}$	50	100	150	V
Repetitive Reverse Voltage	$V_{RRM}$	50	100	150	V
Average Forward Current (@ $75^\circ\text{C}$ lead length = 0.375')	$I_{F(AV)}$	2.5			A
Repetitive Surge Current (@ $55^\circ\text{C}$ lead length = 0.375')	$I_{FRM}$	14			A
Non-Repetitive Surge Current ( $t_p = 8.3\text{ms}$ @ $V_r$ & $T_{JMAX}$ )	$I_{FSM}$	35			A
Storage Temperature Range	$T_{STG}$	-65 to +175			$^\circ\text{C}$
Average Forward Current Max (pcb mounted: $T_A = 55^\circ\text{C}$ ) Sine wave Square wave (d = 0.5)	$I_{F(AV)}$ $I_{F(AV)}$	1.0 1.1			A
Pt for fusing (t = 8.3ms) max	$I^2t$	10			A <sup>2</sup> S
Forward Voltage Drop max @ $T_J = 25^\circ\text{C}$	$V_F$	0.875 @ 1A			V
Reverse Current max @ $V_{WRM}$ , $T_J = 25^\circ\text{C}$ @ $V_{WRM}$ , $T_J = 100^\circ\text{C}$	$I_R$ $I_R$	1.0 50			$\mu\text{A}$
Reverse Recovery Time max (1.0A $I_F$ to 1.0A $I_{RM}$ recover to 0.25A $I_{RM(REC)}$ )	trr	25			nS
Junction Capacitance typ @ $V_R = 5\text{V}$ f = 1MHz	$C_J$	25			pF
Thermal Resistance to end cap	$R_{\theta JEC}$	13			$^\circ\text{C/W}$

## POWER DISCRETES

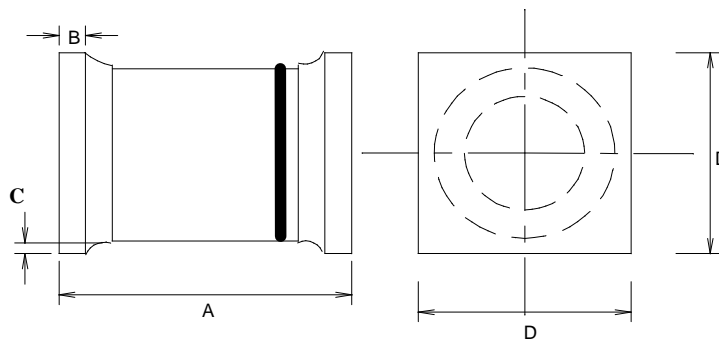
### Ordering Information

Part Number	Description
1N5802US, 1N5804US, 1N5806US	Surface Mount <sup>(1)</sup>

Note:

(1) Available in trays and tape and reel packaging. Please consult factory for quantities.

### Outline Drawing



\*Cathode is denoted by a black band on a white body.

	Dimensions in Inches	
	1N5802US - 1N5806US	
	MIN	MAX
A	0.168	0.2
B	0.019	0.028
C	0.003	-
D	0.091	0.103

### Contact Information

Semtech Corporation  
 Power Discrettes Products Division  
 200 Flynn Road, Camarillo, CA 93012  
 Phone: (805)498-2111 FAX (805)498-3804

## X-ON Electronics

Largest Supplier of Electrical and Electronic Components

*Click to view similar products for [Rectifiers](#) category:*

*Click to view products by [Semtech](#) manufacturer:*

Other Similar products are found below :

[70HFR40](#) [RL252-TP](#) [150KR30A](#) [1N5397](#) [NTE5841](#) [NTE6038](#) [SCF5000](#) [1N4002G](#) [1N4005-TR](#) [JANS1N6640US](#) [481235F](#)  
[RRE02VS6SGTR](#) [067907F](#) [MS306](#) [70HF40](#) [T85HFL60S02](#) [US2JFL-TP](#) [A1N5404G-G](#) [CRS04\(T5L,TEMQ\)](#) [ACGRA4007-HF](#)  
[ACGRB207-HF](#) [CLH03\(TE16L,Q\)](#) [ACGRC307-HF](#) [ACEFC304-HF](#) [NTE6356](#) [NTE6359](#) [NTE6002](#) [NTE6023](#) [NTE6039](#) [NTE6077](#)  
[85HFR60](#) [40HFR60](#) [1N1186RA](#) [70HF120](#) [85HFR80](#) [D126A45C](#) [SCF7500](#) [D251N08B](#) [SCHJ22.5K](#) [SM100](#) [SCPA2](#) [SCH10000](#) [SDHD5K](#)  
[VS-12FL100S10](#) [ACGRA4001-HF](#) [D1821SH45T PR](#) [D1251S45T](#) [NTE5990](#) [NTE6358](#) [NTE6162](#)