

#### PROTECTION PRODUCTS

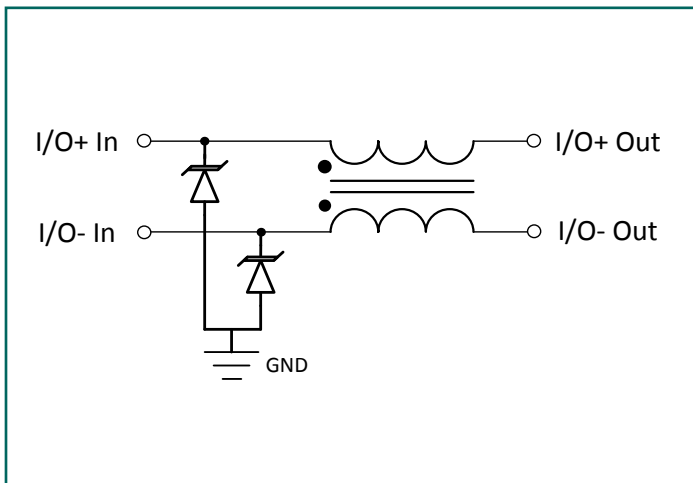
#### Description

EClamp®8052P integrates common mode filtering with low capacitance ESD protection and is designed specifically for MIPI, MHL, and USB interfaces. Each device provides filtering and ESD protection for one high-speed differential pair.

EClamp8052P is an easily implemented solution for replacing discrete common mode chokes and ESD protection devices in a single package. These devices utilize silicon avalanche technology for superior ESD and TLP clamping performance. They feature high maximum ESD withstand voltage of +/- 25kV contact, +/-30kV air discharge per IEC 61000-4-2. The integrated common-mode choke has a typical differential mode cutoff frequency >3GHz and typical common mode suppression of 10dB at 500MHz and 15dB from 1GHz to 2.8GHz. Each channel series resistance is 1.8 Ohms maximum.

EClamp8052P is in a 7-pin SGP1917N5 package, measuring 1.9 x 1.7mm with a nominal height of 0.55mm. The leads have a nominal pin-to-pin pitch of 0.50mm. Flow-through package design simplifies PCB layout and maintains signal integrity on high-speed lines.

#### Circuit Diagram



#### Features

- Transient Protection to
  - ♦ IEC 61000-4-2 (ESD) 30kV (Air), 25kV (Contact)
  - ♦ IEC 61000-4-4 (EFT) 4kV (5/50ns)
  - ♦ IEC 61000-4-5 (Lightning) 6A (8/20µs)
- Package design optimized for high speed lines
- ESD protection and common mode filtering for two high-speed lines
- High differential bandwidth cutoff frequency
- Low ESD Clamping Voltage
- Dynamic Resistance: 0.50 Ohms (Typ)
- Solid-State Silicon-Avalanche Technology

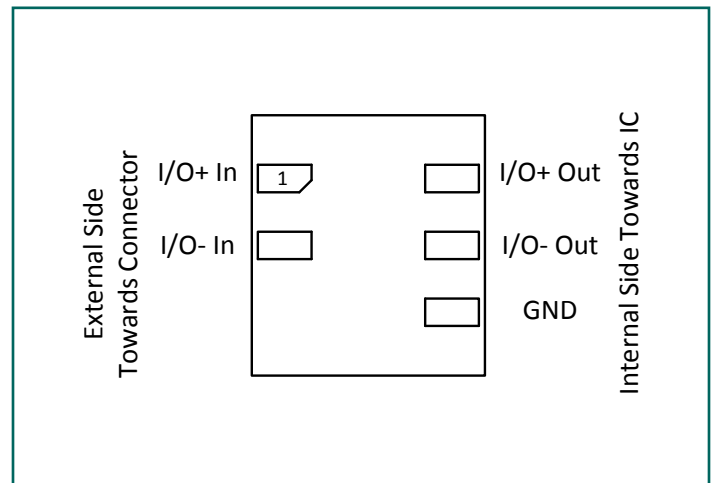
#### Mechanical Characteristics

- SGP1917N5 package
- Pb-Free, Halogen Free, RoHS/WEEE Compliant
- Nominal Dimensions: 1.9 x 1.70 x 0.55 mm
- Molding Compound Flammability Rating: UL 94V-0
- Marking : Marking Code + Date Code
- Packaging : Tape and Reel

#### Applications

- Industrial Equipment
- USB 2.0 / USB 3.0
- HDMI / MHL
- MIPI Camera Serial Interface (CSI)
- MIPI Display Serial Interface (DSI)

#### Pin Configuration



## Absolute Maximum Ratings

Rating	Symbol	Value	Units
Peak Pulse Current (tp = 8/20μs)	I <sub>PP</sub>	6	A
ESD per IEC 61000-4-2 (Contact) <sup>(1)</sup> ESD per IEC 61000-4-2 (Air) <sup>(1)</sup>	V <sub>ESD</sub>	±25 ±30	kV
Operating Temperature	T <sub>J</sub>	-40 to +125	°C
Storage Temperature	T <sub>STG</sub>	-55 to +150	°C

## Electrical Characteristics (T=25°C unless otherwise specified)

Parameter	Symbol	Conditions	Min.	Typ.	Max.	Units	
Reverse Stand-Off Voltage	V <sub>RWM</sub>	-40°C to 125°C Pin 1 or Pin 2 to Pin 3			5	V	
Reverse Breakdown Voltage	V <sub>BR</sub>	I <sub>t</sub> = 1mA, Pin 1 or 2 to Pin 3	-40°C to 125°C	6.5	9	11	V
Reverse Leakage Current	I <sub>R</sub>	V <sub>RWM</sub> = 5V	T = 25°C	0.005	0.100	μA	
Clamping Voltage	V <sub>C</sub>	I <sub>pp</sub> = 1A, tp = 8/20μs, Pin 1 or 2 to Pin 3			12	V	
Clamping Voltage	V <sub>C</sub>	I <sub>pp</sub> = 6A, tp = 8/20μs, Pin 1 or 2 to Pin 3			17	V	
ESD Clamping Voltage <sup>(2)</sup>	V <sub>C</sub>	I <sub>pp</sub> = 4A, tp = 0.2/100ns (TLP) Pin 1 or 2 to Pin 3		11		V	
ESD Clamping Voltage <sup>(2)</sup>	V <sub>C</sub>	I <sub>pp</sub> = 16A, tp = 0.2/100ns (TLP) Pin 1 or 2 to Pin 3		17		V	
Dynamic Resistance <sup>(2),(3)</sup>	R <sub>DYN</sub>	tp = 0.2/100ns (TLP) Pin 1 or 2 to Pin 3		0.50		Ohms	
Total Channel Capacitance	C <sub>IN</sub>	V <sub>R</sub> = 0V, f = 1MHz Pin 1 or 2 to Pin 3	T = 25°C	0.95	1.2	pF	
Differential (SDD21) Cut-Off Frequency	f <sub>3dB</sub>	50 Ohm Source and Load Termination		3		GHz	
Common Mode (SCC21) Attenuation	f <sub>ATT</sub>	f = 75MHz		3		dB	
		f = 500MHz		10		dB	
		f = 1GHZ - 2.5GHZ		20		dB	
Channel Resistance	R <sub>CH</sub>	Input to Output		1.3	1.8	Ohms	

Notes:

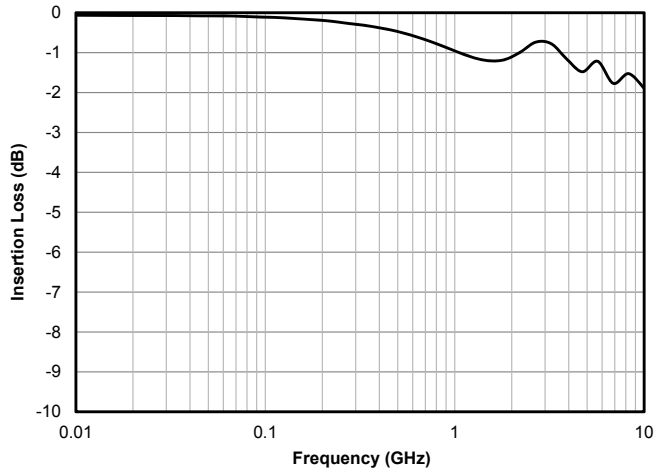
(1): ESD Gun return path to Ground Reference Plane (GRP)

(2): Transmission Line Pulse Test (TLP) Settings: tp = 100ns, tr = 0.2ns, I<sub>TLP</sub> and V<sub>TLP</sub> averaging window: t<sub>1</sub> = 70ns to t<sub>2</sub> = 90ns.

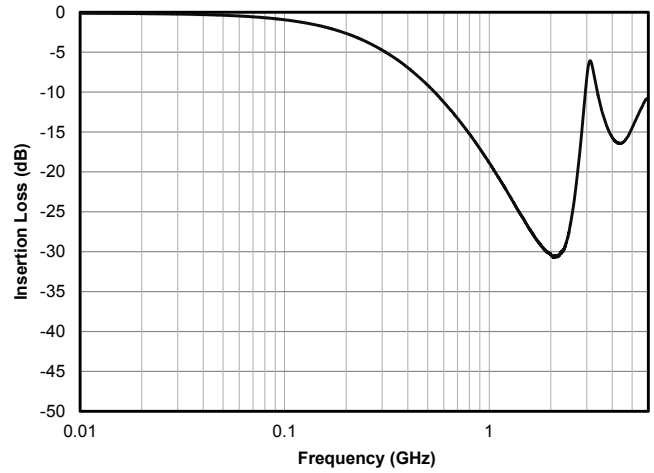
(3): Dynamic resistance calculated from I<sub>TLP</sub> = 4A to I<sub>TLP</sub> = 16A

# Typical Characteristics

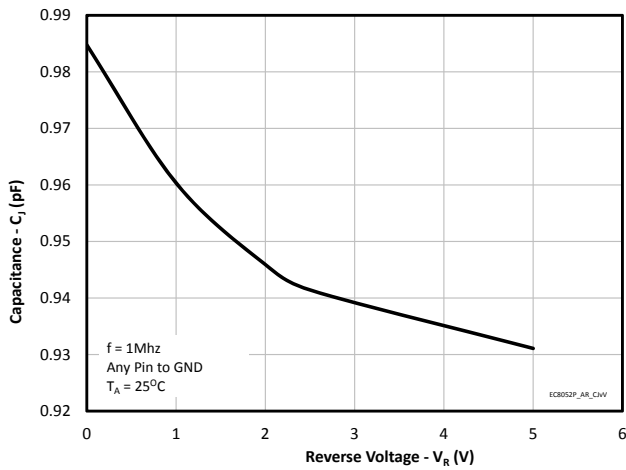
### Differential Mode Attenuation vs. Frequency



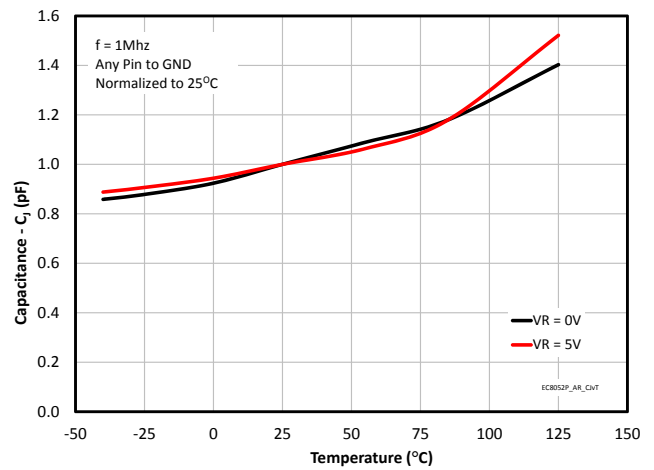
### Common Mode Attenuation vs. Frequency



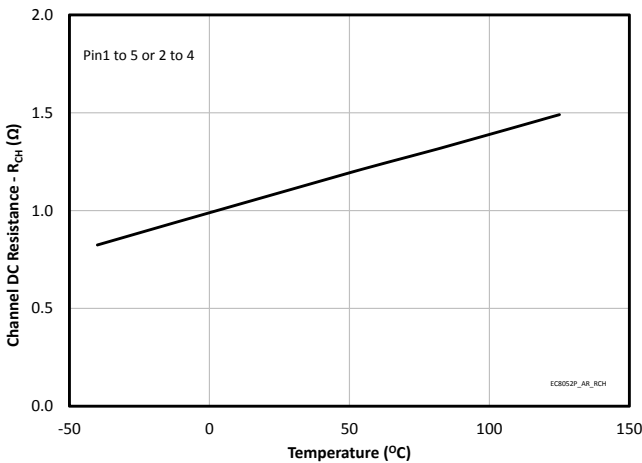
### Junction Capacitance vs. Reverse Voltage



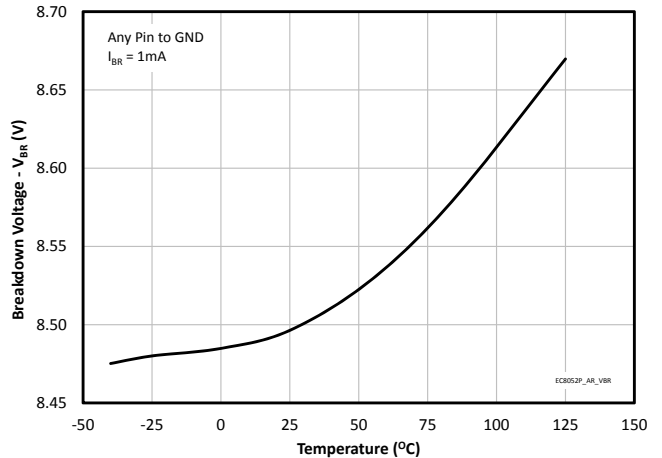
### Junction Capacitance vs. Temperature



### Channel DC Resistance vs. Temperature

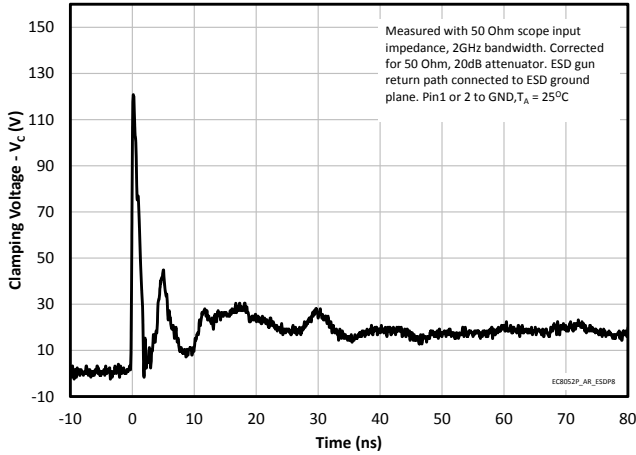


### Breakdown Voltage (V<sub>BR</sub>) vs. Temperature

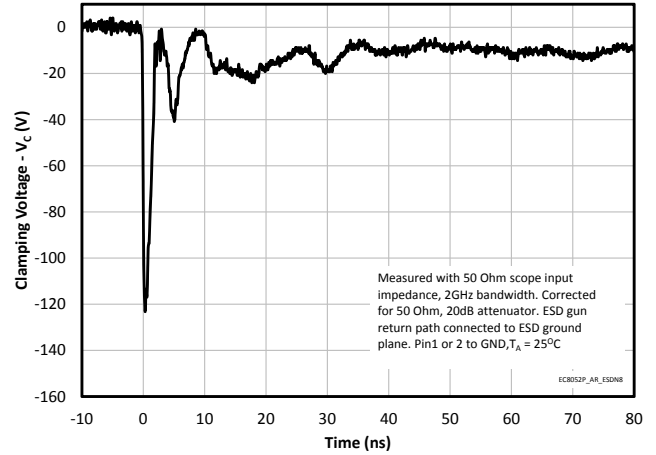


# Typical Characteristics

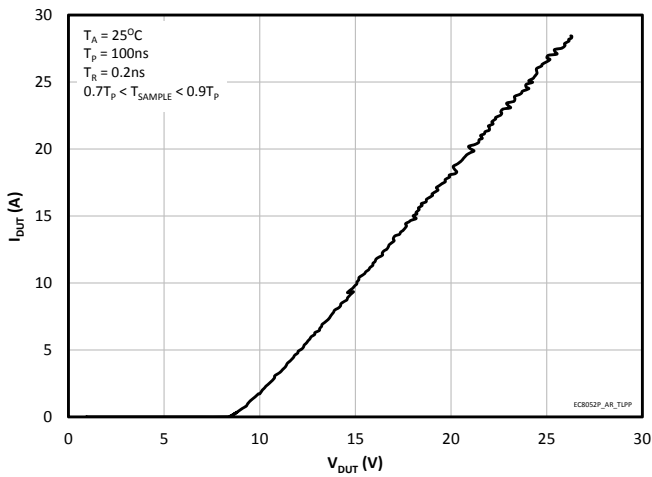
### ESD Clamping (+8kV Contact per IEC 61000-4-2)



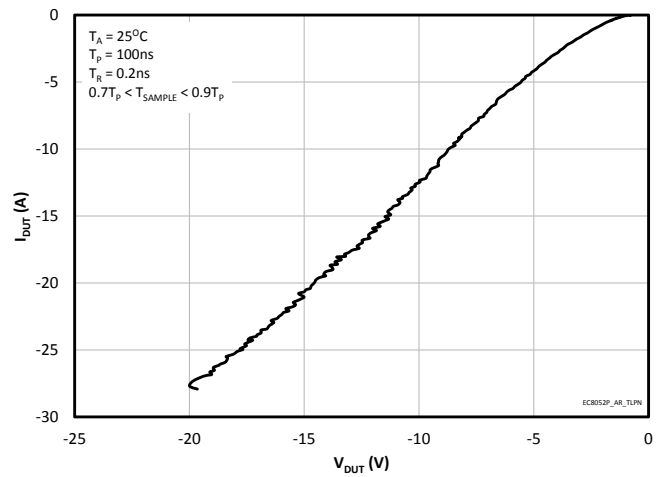
### ESD Clamping (-8kV Contact per IEC 61000-4-2)



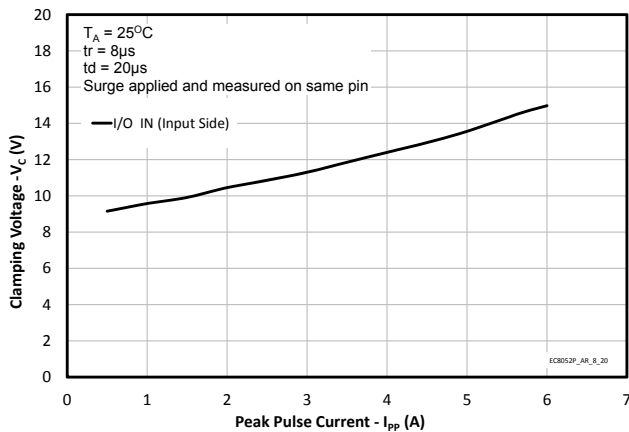
### TLP Characteristic (Positive)



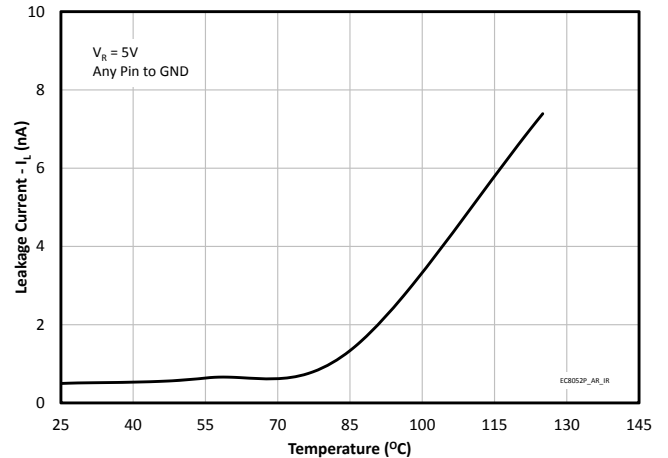
### TLP Characteristic (Negative)



### Clamping Voltage vs. Peak Pulse Current (tp=8/20us)



### Reverse Leakage vs. Temperature



# Application Information

## USB Interface Protection

EClamp8052P may be used to protect D+ and D- lines against ESD and EMI in USB 2.0, USB 3.0, and USB 3.1 applications. USB D+ and D- lines enter at pins 1 and 2 (connector side) and exit at pins 4 and 5. The TVS diodes are internally connected at pins 1 and 2 and therefore must be located towards the connector on the PCB. Pin 3 is connected to the ground plane. Figures 1 is an example of protecting a USB 3.0 Type-A interface (host side shown).

For USB 3.0 applications, RClamp3324T is recommended for protecting the 5Gb/s SuperSpeed line pairs. Lines are routed through the device at pins 1-4. Traces should be kept the same length to avoid impedance mismatch. Ground is connected at pins 5 and 6. The differential impedance of each pair can be controlled for USB 3.0 (85 Ohms +/-15%) while maintaining a minimum trace-to-trace and trace-to-pad spacing. Individual PCB design constraints may necessitate different spacing or trace

width. Both ground pads should be connected for optimal performance. Ground connection is made using filled via-in-pad. Additional information may be found on the device data sheet.

Single line devices such as uClamp0571P are recommended for surge and ESD protection of the VBus line. This device features high surge and ESD capability and may be used on 5V power rails.

## Device Placement

Placement of the protection component is a critical element for effective ESD suppression. TVS diodes should be placed as close to the connector as possible. This helps reduce transient coupling to nearby traces. Ground connections should be made directly to the ground plane using micro-vias. This reduces parasitic inductance in the ground path and minimizes the clamping voltage seen by the protected device.

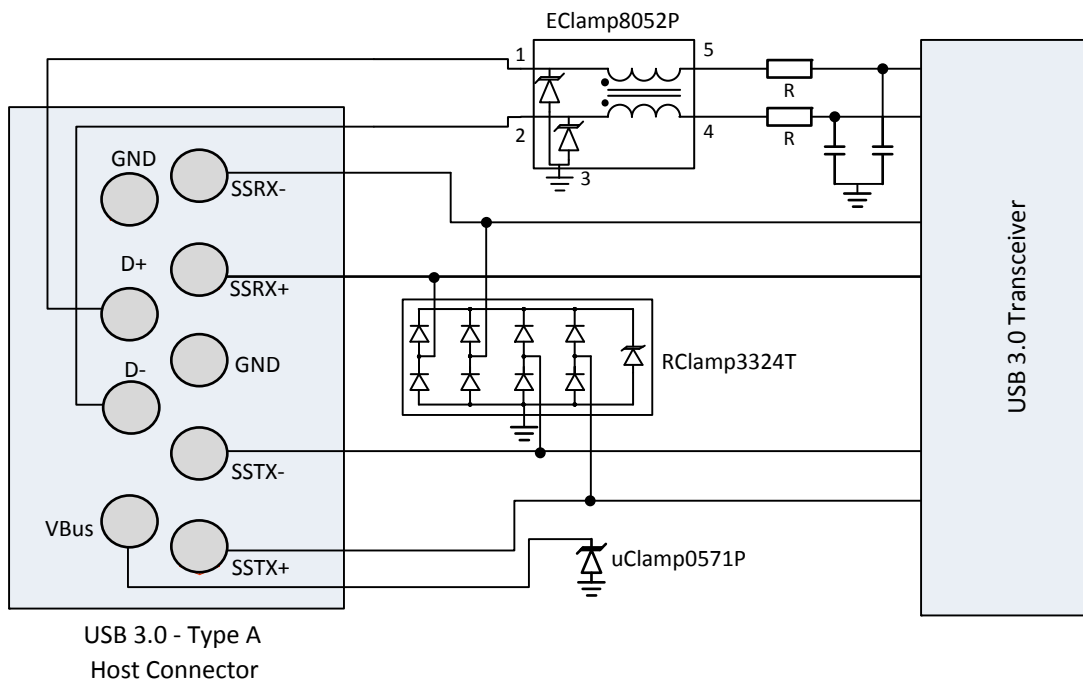


Figure 1 - USB 3.0 Type-A Protection Example

# Application Information

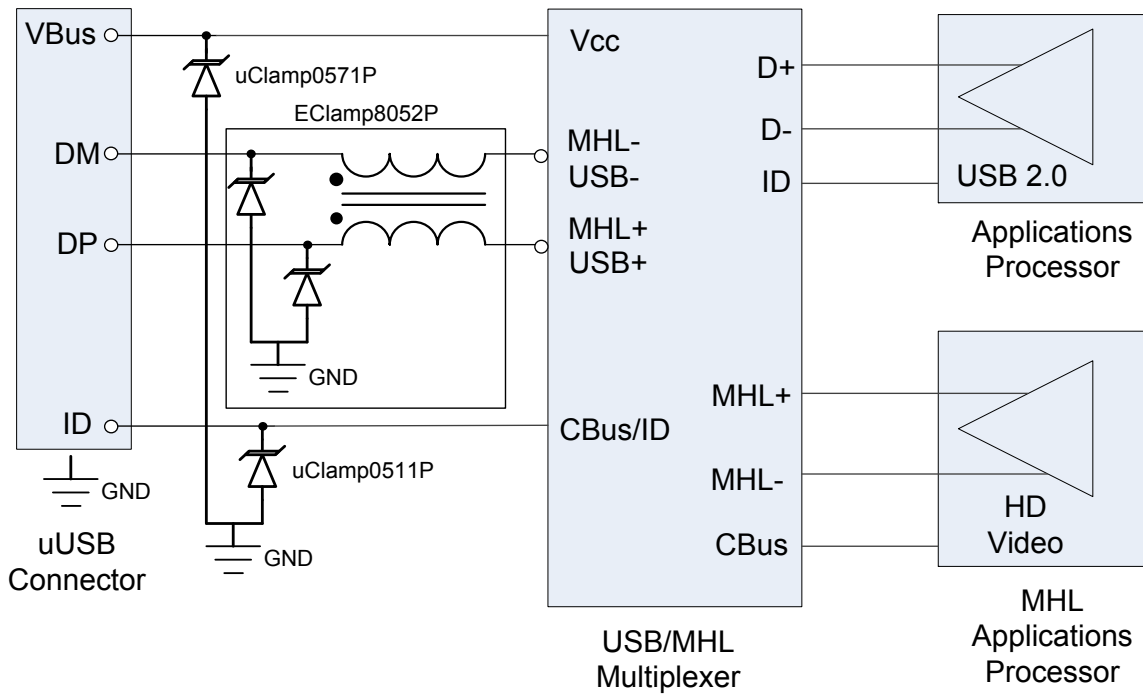


Figure 2 - USB2.0 / MHL Interface Protection

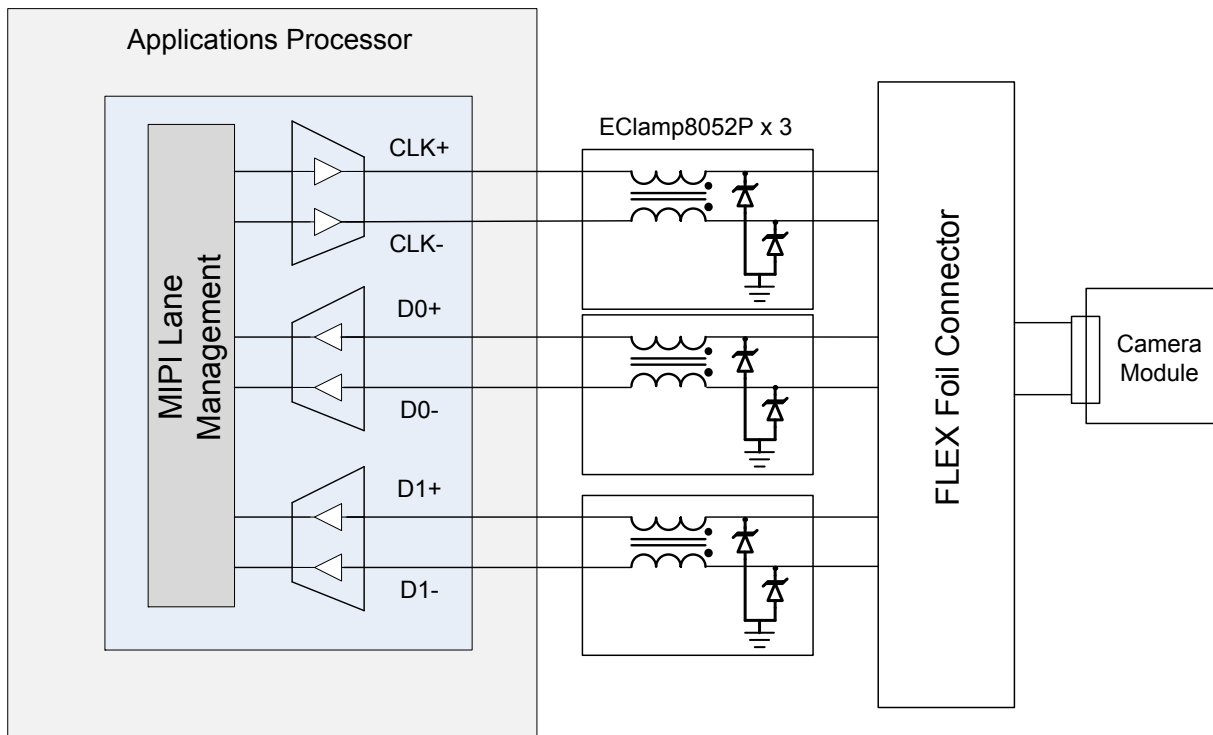
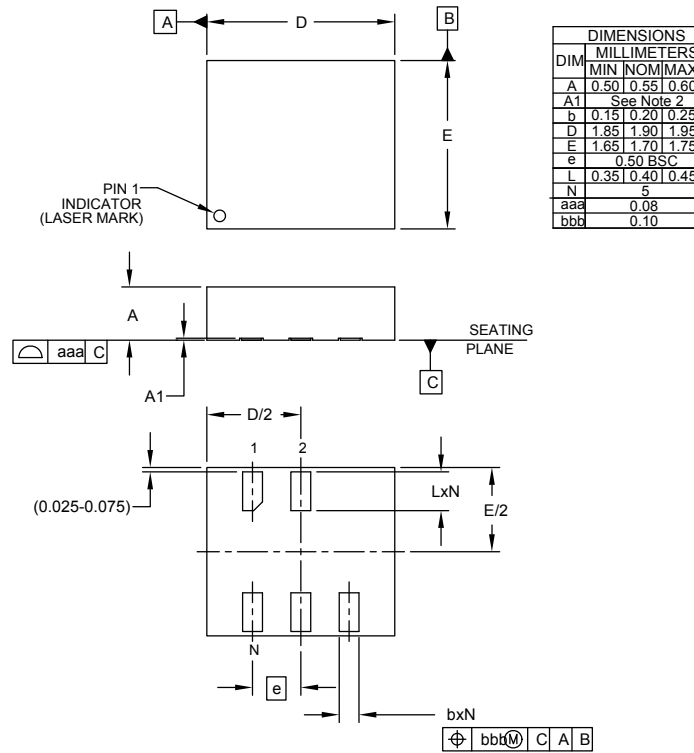


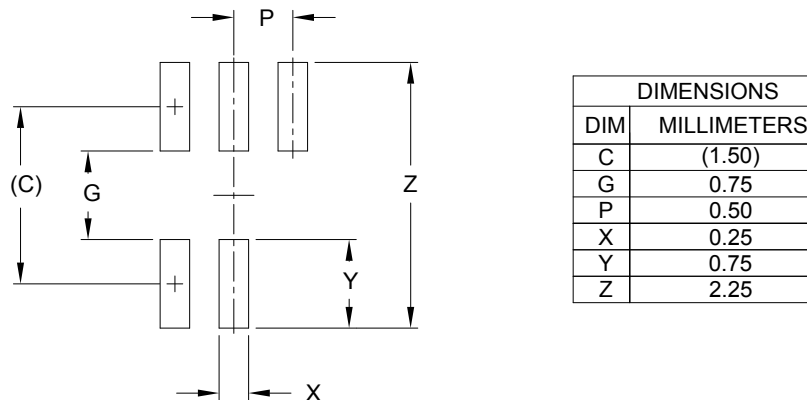
Figure 3 - MIPI Camera Serial Interface Protection

# Outline Drawing - SGP1917N5



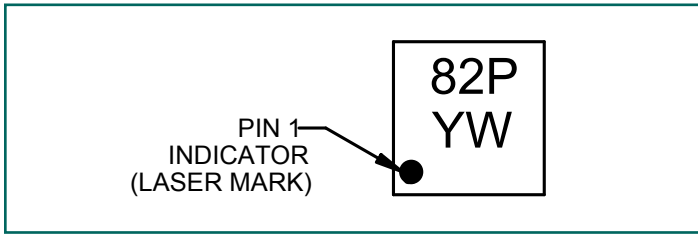
- NOTES:
1. CONTROLLING DIMENSIONS ARE IN MILLIMETERS (ANGLES IN DEGREES).
  2. A1 BOTTOM SOLDER MASK ( 0.020+/-0.007 )  
SOLDER PAD ( 0.018+/-0.005 )

# Land Pattern - SGP1917N5



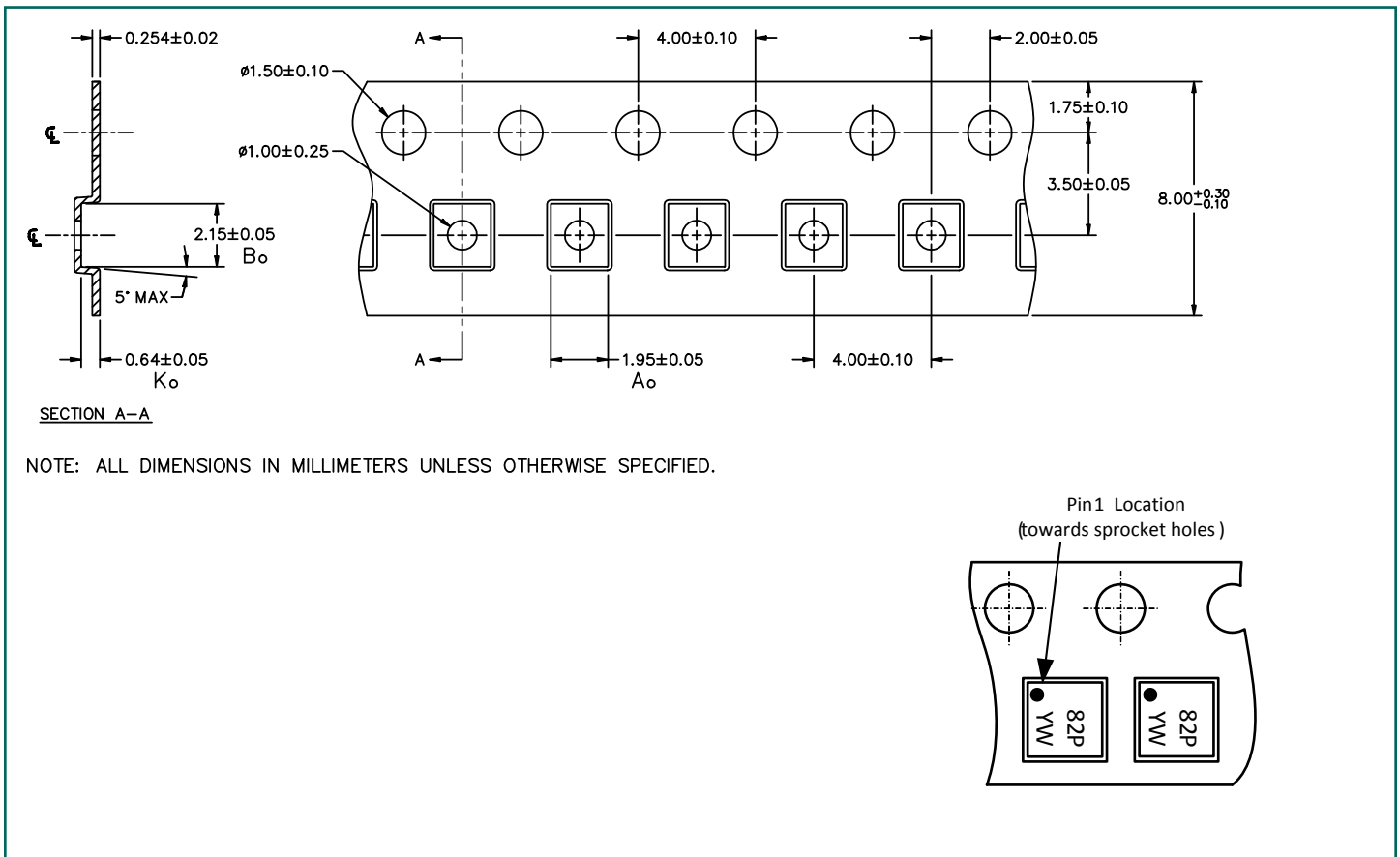
- NOTES:
1. CONTROLLING DIMENSIONS ARE IN MILLIMETERS (ANGLES IN DEGREES).
  2. THIS LAND PATTERN IS FOR REFERENCE PURPOSES ONLY.  
CONSULT YOUR MANUFACTURING GROUP TO ENSURE YOUR  
COMPANY'S MANUFACTURING GUIDELINES ARE MET.

# Marking Code



YW = Alphanumeric character Date Code

# Tape and Reel Specification - Plastic Tape, 4mm Pitch



# Ordering Information

Part Number	Qty per Reel	Reel Size	Carrier Tape	Pitch
EClamp8052P.TCT	3000	7 Inch	Plastic	4mm

EMIClamp and EClamp are trademarks of Semtech Corporation.





---

#### IMPORTANT NOTICE

Information relating to this product and the application or design described herein is believed to be reliable, however such information is provided as a guide only and Semtech assumes no liability for any errors in this document, or for the application or design described herein. Semtech reserves the right to make changes to the product or this document at any time without notice. Buyers should obtain the latest relevant information before placing orders and should verify that such information is current and complete. Semtech warrants performance of its products to the specifications applicable at the time of sale, and all sales are made in accordance with Semtech's standard terms and conditions of sale.

SEMTECH PRODUCTS ARE NOT DESIGNED, INTENDED, AUTHORIZED OR WARRANTED TO BE SUITABLE FOR USE IN LIFE-SUPPORT APPLICATIONS, DEVICES OR SYSTEMS, OR IN NUCLEAR APPLICATIONS IN WHICH THE FAILURE COULD BE REASONABLY EXPECTED TO RESULT IN PERSONAL INJURY, LOSS OF LIFE OR SEVERE PROPERTY OR ENVIRONMENTAL DAMAGE. INCLUSION OF SEMTECH PRODUCTS IN SUCH APPLICATIONS IS UNDERSTOOD TO BE UNDERTAKEN SOLELY AT THE CUSTOMER'S OWN RISK. Should a customer purchase or use Semtech products for any such unauthorized application, the customer shall indemnify and hold Semtech and its officers, employees, subsidiaries, affiliates, and distributors harmless against all claims, costs damages and attorney fees which could arise.

The Semtech name and logo are registered trademarks of the Semtech Corporation. All other trademarks and trade names mentioned may be marks and names of Semtech or their respective companies. Semtech reserves the right to make changes to, or discontinue any products described in this document without further notice. Semtech makes no warranty, representation or guarantee, express or implied, regarding the suitability of its products for any particular purpose. All rights reserved.

© Semtech 2015

---

#### Contact Information

Semtech Corporation  
200 Flynn Road, Camarillo, CA 93012  
Phone: (805) 498-2111, Fax: (805) 498-3804  
[www.semtech.com](http://www.semtech.com)

## X-ON Electronics

Largest Supplier of Electrical and Electronic Components

*Click to view similar products for [ESD Suppressors / TVS Diodes](#) category:*

*Click to view products by [Semtech](#) manufacturer:*

Other Similar products are found below :

[60KS200C](#) [D12V0H1U2WS-7](#) [D18V0L1B2LP-7B](#) [82356050220](#) [D5V0M5U6V-7](#) [NTE4902](#) [P4KE27CA](#) [P6KE11CA](#) [P6KE39CA-TP](#)  
[P6KE8.2A](#) [SA110CA](#) [SA60CA](#) [SA64CA](#) [SMBJ12CATR](#) [SMBJ8.0A](#) [SMLJ30CA-TP](#) [ESD101-B1-02ELS E6327](#) [ESD112-B1-02EL E6327](#)  
[ESD119B1W01005E6327XTSA1](#) [ESD5V0L1B02VH6327XTSA1](#) [ESD7451N2T5G](#) [19180-510](#) [CPDT-5V0USP-HF](#) [3.0SMCJ33CA-F](#)  
[3.0SMCJ36A-F](#) [HSPC16701B02TP](#) [D3V3Q1B2DLP3-7](#) [D55V0M1B2WS-7](#) [DESD5V0U1BL-7B](#) [DRTR5V0U4SL-7](#) [SCM1293A-04SO](#)  
[ESD200-B1-CSP0201 E6327](#) [ESD203-B1-02EL E6327](#) [SM12-7](#) [SMF8.0A-TP](#) [SMLJ45CA-TP](#) [CEN955 W/DATA](#) [82350120560](#)  
[82356240030](#) [VESD12A1A-HD1-GS08](#) [CPDUR5V0R-HF](#) [CPDUR24V-HF](#) [CPDQC5V0U-HF](#) [CPDQC5V0USP-HF](#) [CPDQC5V0-HF](#)  
[D1213A-01LP4-7B](#) [D1213A-02WL-7](#) [ESDLIN1524BJ-HQ](#) [5KP100A](#) [5KP15A](#)