

Signal Integrity Product Group

Key Features

- SMPTE ST 424, SMPTE ST 292, and SMPTE ST 259 compliant
- Automatic cable equalization
- Multi-standard operation from 143Mb/s to 2.97Gb/s
- Performance optimized for 270Mb/s, 1.485Gb/s, and 2.97Gb/s. Typical equalized length of Belden 1694A cable:
 - ◆ 140m at 2.97Gb/s
 - ◆ 200m at 1.485Gb/s
 - ◆ 400m at 270Mb/s
- Supports DVB-ASI at 270Mb/s
- Manual bypass (useful for low data rates with slow rise/fall times)
- Programmable carrier detect with squelch threshold adjustment
- Differential outputs support DC coupling to 3.3V and 2.5V CML logic
- 0/6 dB gain boost selection pin
- Standard EIA/JEDEC logic control and status signal levels
- Single 3.3V power supply operation
- 195mW power consumption (typical)
- Wide temperature range of -40°C to 85°C
- Small footprint QFN package (4mm x 4mm)
 - ◆ Drop-in compatible with the GS2974
- Pb-free and RoHS compliant

Applications

- SMPTE ST 424, SMPTE ST 292, and SMPTE ST 259 coaxial cable serial digital interfaces

Description

The GS2984 is a high-speed BiCMOS integrated circuit designed to equalize and restore signals received over 75Ω coaxial cable.

The device is designed to support SMPTE ST 424, SMPTE ST 292, and SMPTE ST 259, and is optimized for performance at 270Mb/s, 1.485Gb/s, and 2.97Gb/s.

The GS2984 features DC restoration to compensate for the DC content of SMPTE pathological test patterns.

The Carrier Detect output pin (\overline{CD}) indicates whether a valid input signal has been detected. It can be connected directly to the MUTE pin to mute the output on loss of carrier. A voltage programmable threshold, which can be changed via the SQ_ADJ pin, forces \overline{CD} high when the input signal amplitude falls below the threshold. This allows the GS2984 to distinguish between low-amplitude SDI signals and noise at the input of the device.

The equalizing and DC restore stages are disengaged when the BYPASS pin is HIGH. No equalization occurs in Bypass mode.

The GS2984 includes a gain selection pin (GAIN_SEL) which, when tied HIGH, compensates for 6dB flat attenuation.

The differential outputs can be DC-coupled to Semtech's 3.3V cable drivers and reclockers and to industry-standard 3.3V and 2.5V CML logic using the CMSET pin.

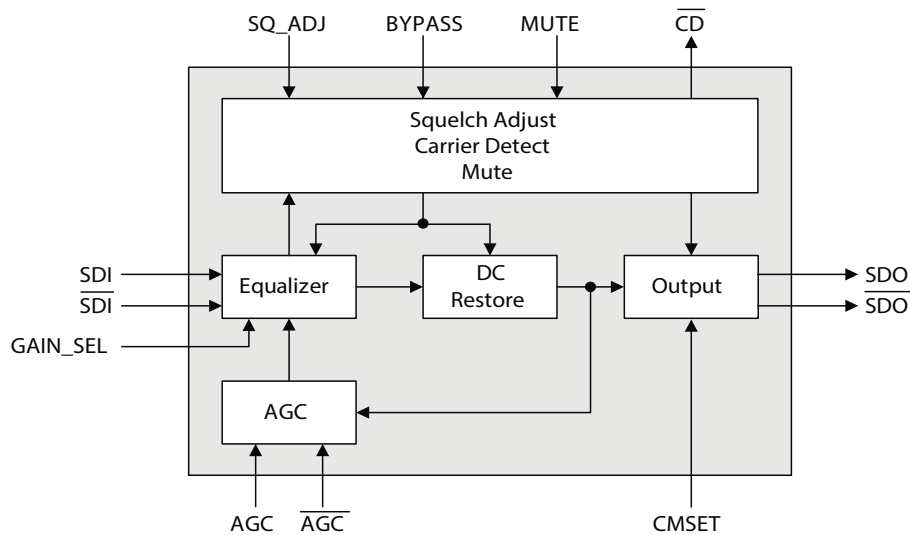
The GS2984 is footprint and drop-in compatible with existing GS2974 designs, with no additional application changes required.

The device is available in a 16-pin, 4mm x 4mm QFN package.

Power consumption of the GS2984 is typically 195mW.

The GS2984 is Pb-free, and the encapsulation compound does not contain halogenated flame retardant.

This component and all homogeneous subcomponents are RoHS compliant.



GS2984 Functional Block Diagram

Revision History

Version	ECO	PCN	Date	Changes and/or Modifications
5	025743	—	May 2015	Updated document format.
4	019346	—	May 2014	Updated to the newest template.
3	153913	54547	March 2010	Changed ESD rating from 6kV to 5kV in Section 2.1 Absolute Maximum Ratings .
2	152311	—	July 2009	Converted to Data Sheet.
1	152027	—	June 2009	Removed 'Proprietary & Confidential' from footer. Updated 6.4 Marking Diagram .
0	151621	—	April 2009	Converted to Preliminary Data Sheet. Added sections 2.4 Typical Performance Curves and 4.8 Output Rise/Fall Times . Updates to Section 2. Electrical Characteristics .
B	151182	—	January 2009	Updates.
A	150385	—	September 2008	New document.

Contents

1. Pin Out	4
1.1 GS2984 Pin Assignment	4
1.2 GS2984 Pin Descriptions	4
2. Electrical Characteristics.....	6
2.1 Absolute Maximum Ratings	6
2.2 DC Electrical Characteristics	6
2.3 AC Electrical Characteristics	7
2.4 Typical Performance Curves	8
3. Input/Output Circuits.....	9
4. Detailed Description.....	11
4.1 Serial Digital Inputs	11
4.2 Cable Equalization	11
4.3 Serial Digital Outputs	11
4.4 Programmable Squelch Adjust (SQ_ADJ)	13
4.5 Mute and Carrier Detect	13
4.6 GAIN_SEL	14
4.7 CMSET Operation	14
4.8 Output Rise/Fall Times	15
5. Application Information.....	16
5.1 High Gain Adaptive Cable Equalizers	16
5.2 PCB Layout	16
5.3 Typical Application Circuit	17
6. Package & Ordering Information	18
6.1 Package Dimensions	18
6.2 Packaging Data	18
6.3 Recommended PCB Footprint	19
6.4 Marking Diagram	19
6.5 Solder Reflow Profiles	20
6.6 Ordering Information	20

1. Pin Out

1.1 GS2984 Pin Assignment

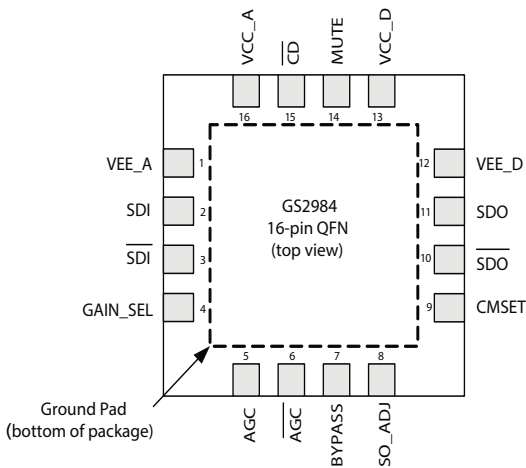


Figure 1-1: GS2984 Pin Out

1.2 GS2984 Pin Descriptions

Table 1-1: GS2984 Pin Descriptions

Pin Number	Name	Timing	Type	Description
1	VEE_A	Analog	Power	Most negative power supply for analog circuitry. Connect to GND.
2, 3	SDI, $\overline{\text{SDI}}$	Analog	Input	Serial digital differential input.
4	GAIN_SEL	Not Synchronous	Input	Control signal input levels are LVCMOS/LVTTL compatible. (3.3V tolerant). Controls flat band gain. See Section 4.6 . (Internal pull-down).
5, 6	AGC, $\overline{\text{AGC}}$	Analog	—	External AGC capacitor. Connect pin 5 and pin 6 together as shown in the Typical Application Circuit on page 17 .
7	BYPASS	Not Synchronous	Input	Forces the equalizing and DC restore stages into Bypass mode when HIGH. No equalization occurs in this mode. (Internal pull-down).
8	SQ_ADJ	Analog	Input	Squelch Adjust. Adjusts the approximate amount of cable equalized before $\overline{\text{CD}}$ goes low. See Section 4.4 and Section 4.5 . (Internal pull-down).

Table 1-1: GS2984 Pin Descriptions (Continued)

Pin Number	Name	Timing	Type	Description
9	CMSET	Not Synchronous	Input	Control signal input levels are LVCMOS/LVTTL compatible. (3.3V tolerant). Controls output common mode level. (Internal pull-down). See Section 4.7 .
10, 11	\overline{SDO} , SDO	Analog	Output	Equalized serial digital differential output.
12	VEE_D	Analog	Power	Most negative power supply for the digital circuitry and output buffer. Connect to GND.
13	VCC_D	Analog	Power	Most positive power supply for the digital I/O pins of the device. Connect to 3.3V DC.
14	MUTE	Not Synchronous	Input	Control signal input levels are LVCMOS/LVTTL compatible. (3.3V tolerant) Controls output behaviour on SDO and \overline{SDO} . (Internal pull-down). See Section 4.5 .
15	\overline{CD}	Not Synchronous	Output	Status signal output signal levels are LVCMOS/LVTTL compatible. Indicates the presence of an input signal. See Section 4.5 .
16	VCC_A	Analog	Power	Most positive power supply for the analog circuitry of the device. Connect to 3.3V DC.
—	Center Pad	—	Power	Internally bonded to VEE_A.

2. Electrical Characteristics

2.1 Absolute Maximum Ratings

Table 2-1: Absolute Maximum Ratings

Parameter	Value
Supply Voltage	-0.5V to 3.6V DC
Input ESD Voltage (HBM)	5kV
Storage Temperature Range	-50°C < T _s < 125°C
Input Voltage Range (any Input)	-0.3V to (V _{CC} + 0.3)V
Operating Temperature Range	-20°C to 85°C
Functional Temperature Range	-40°C to 85°C
Solder Reflow Temperature	260°C

2.2 DC Electrical Characteristics

Table 2-2: DC Electrical Characteristics

V_{CC} = 3.3V ±5%, T_A = -20°C to 85°C, unless otherwise shown

Parameter	Symbol	Conditions	Min	Typ	Max	Units	Notes
Supply Voltage	V _{CC}	—	3.135	3.3	3.465	V	—
Power Consumption	P _D	T _A = 25°C	—	195	250	mW	—
Supply Current	I _S	T _A = 25°C	—	59	—	mA	—
Output Common Mode Voltage	V _{CMOUT}	T _A = 25°C	—	V _{CMSET} - ΔV _{SDO} /2	—	V	1
Input Common Mode Voltage	V _{CMIN}	T _A = 25°C	—	1.8	—	V	—
SQ_ADJ DC Voltage (to mute signal)		0m, T _A = 25°C	—	3.2	—	V	—
SQ_ADJ Range		T _A = 25°C	—	0.9	—	V	—
CD Output Voltage	V _{CD(OH)}	Carrier not present	2.4	—	—	V	—
	V _{CD(OL)}	Carrier present	—	—	0.4	V	—
Mute Input Voltage Required to Force Outputs to Mute	V _{Mute}	Min to Mute	2.0	—	—	V	—
Mute Input Required to Force Outputs Active	V _{Mute}	Max to Activate	—	—	0.8	V	—

Notes:

1. V_{CMSET} is the voltage determined by the setting of the CM_SET pin. It will be either 3.3V or 2.5V

2.3 AC Electrical Characteristics

Table 2-3: AC Electrical Characteristics

Parameter	Symbol	Conditions	Min	Typ	Max	Units	Notes
Serial Input Data Rate	DR _{SDO}	—	143	—	2970	Mb/s	—
Input Voltage Swing	ΔV_{SDI}	T _A = 25°C, differential, 270Mb/s and 1.485Gb/s	720	800	950	mV _{pp}	1
		T _A = 25°C, differential, 2.97Gb/s	720	800	880	mV _{pp}	1
Output Voltage Swing	ΔV_{SDO}	100Ω load, T _A = 25°C, differential	680	800	900	mV _{pp}	—
Output Jitter of Various Cable Lengths and Data Rates		2.97Gb/s Belden 1694A: 0-120m	—	—	0.25	UI	2, 5
		2.97Gb/s Belden 1694A: 120-140m	—	0.3	—	UI	3, 5
		1.485Gb/s Belden 1694A: 0-160m	—	—	0.25	UI	2, 5
		1.485Gb/s Belden 1694A: 160-200m	—	0.2	—	UI	2, 5
		270Mb/s Belden 1694A: 0-400m	—	—	0.2	UI	2, 5
Output Rise/Fall Time		2.97Gb/s and 1.485Gb/s 20% - 80%	25	65	90	ps	—
		270Mb/s (see Section 4.8)	—	—	—	—	—
Mismatch in Rise/Fall Time		—	—	—	30	ps	—
Duty Cycle Distortion		—	—	—	30	ps	—
Overshoot		—	—	—	10	%	—
Input Return Loss		—	15	21	—	dB	4
Input Resistance		Single-ended	—	1.9	—	kΩ	—
Input Capacitance		Single-ended	—	1.3	—	pF	—
Output Resistance		Single-ended	—	50	—	Ω	—

Notes:

- 0m cable length.
- All parts are production tested. In order to guarantee jitter over the full range of specification (V_{CC} = 3.3V ±5%, T_A = -20°C to 85°C, and 720 to 880mV launch swing from the SDI cable driver) the recommended applications circuit must be used.
- Based on characterization data using the recommended applications circuit, at V_{CC} = 3.3V, T_A = 25°C and 800mV launch swing from the SDI cable driver.
- Tested on the GS2984 board from 5MHz to 3GHz.
- CM_SET = 0, GAIN_SEL = 0

2.4 Typical Performance Curves

$V_{CC} = 3.3V$, room temperature, 800mV launch swing

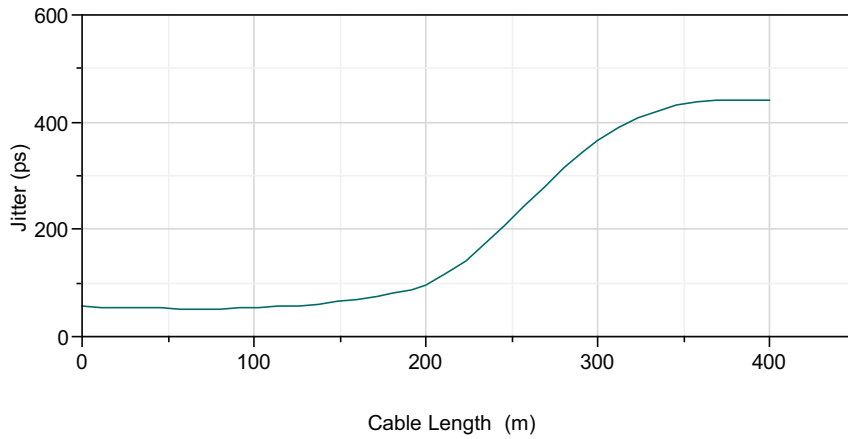


Figure 2-1: Jitter vs. Cable Length (270Mb/s)

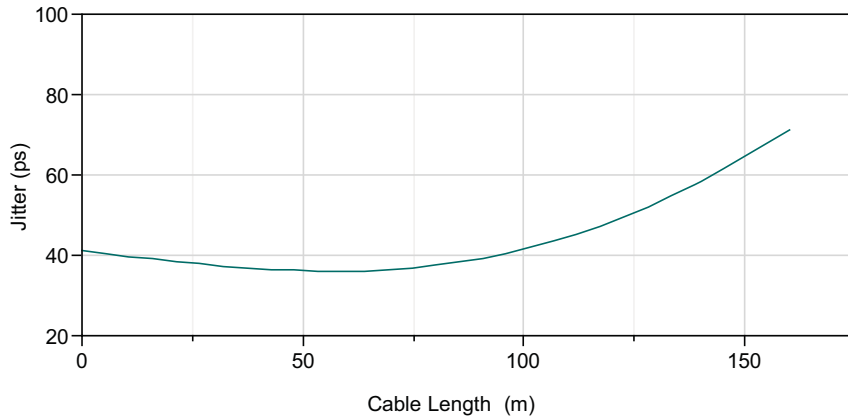


Figure 2-2: Jitter vs. Cable Length (1485Mb/s)

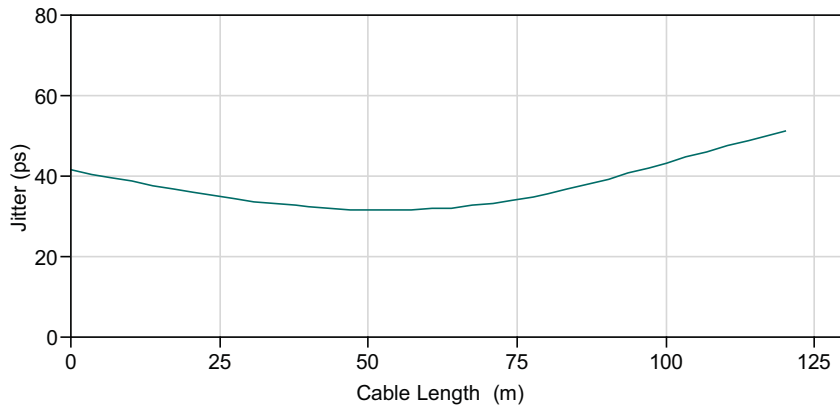


Figure 2-3: Jitter vs. Cable Length (2970Mb/s)

3. Input/Output Circuits

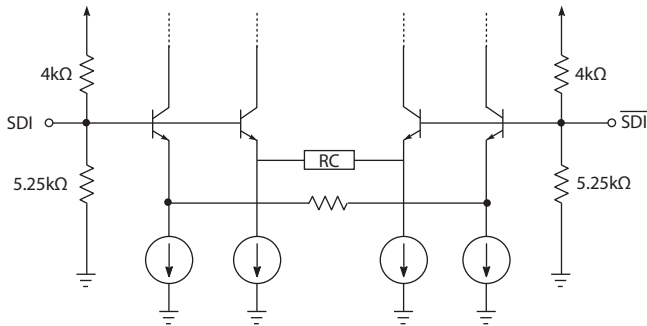


Figure 3-1: Input Equivalent Circuit

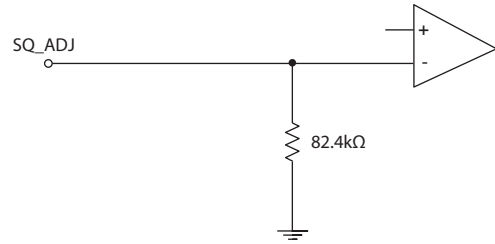


Figure 3-2: SQ_ADJ Equivalent Circuit

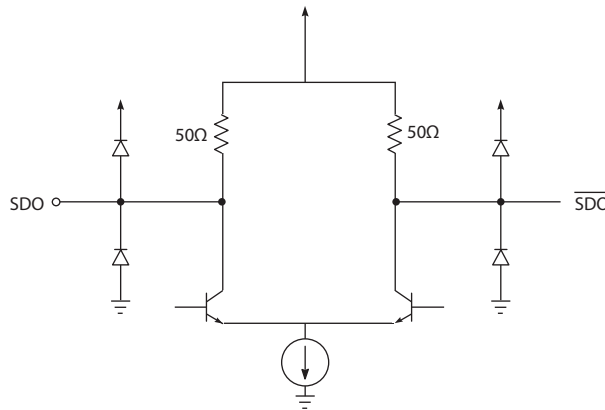


Figure 3-3: Output Circuit

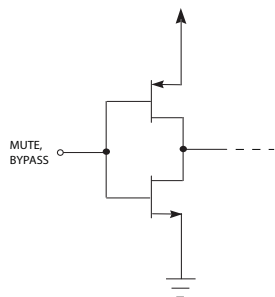


Figure 3-4: MUTE and BYPASS Circuits

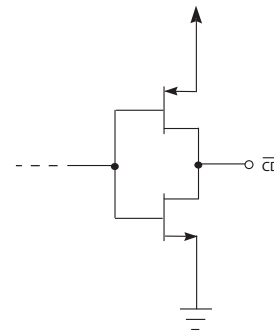


Figure 3-5: \overline{CD} Circuit

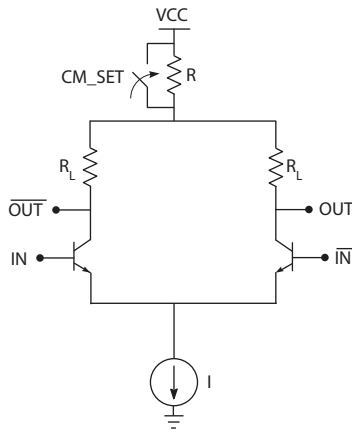


Figure 3-6: CM_SET

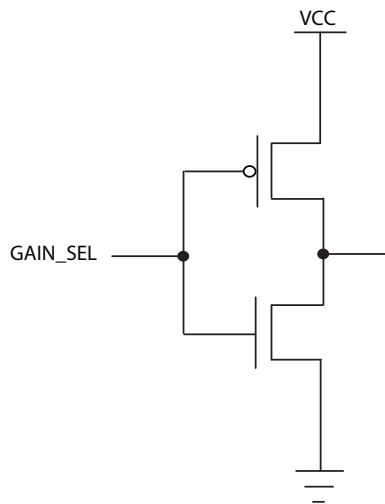


Figure 3-7: GAIN_SEL

4. Detailed Description

The GS2984 is a high-speed BiCMOS IC designed to equalize serial digital signals.

The GS2984 can equalize 3Gb/s, HD, and SD serial digital signals, and will typically equalize 140m of Belden 1694A cable at 2.97Gb/s, 200m at 1.485Gb/s, and 400m at 270Mb/s. The GS2984 is powered from a single 3.3V power supply and consumes approximately 195mW of power.

4.1 Serial Digital Inputs

The Serial Data Signal may be connected to the input pins (SDI/\overline{SDI}) in either a differential or single ended configuration. AC coupling of the inputs is recommended, as the SDI and \overline{SDI} inputs are internally biased at approximately 1.8V.

4.2 Cable Equalization

The input signal passes through a variable gain equalizing stage, whose frequency response closely matches the inverse of the cable loss characteristic. In addition, the variation of the frequency response with control voltage imitates the variation of the inverse cable loss characteristic with cable length.

The edge energy of the equalized signal is monitored by a detector circuit which produces an error signal corresponding to the difference between the desired edge energy and the actual edge energy. This error signal is integrated by both an internal and an external AGC filter capacitor providing a steady control voltage for the gain stage. As the frequency response of the gain stage is automatically varied by the application of negative feedback, the edge energy of the equalized signal is kept at a constant level which is representative of the original edge energy at the transmitter. The equalized signal is also DC restored, effectively restoring the logic threshold of the equalized signal to its correct level independent of shifts due to AC coupling.

4.3 Serial Digital Outputs

The digital output signals have a nominal voltage of 800mV_{pp} differential, or 400mV_{pp} single-ended when terminated with 50Ω as shown in Figure 4-1.

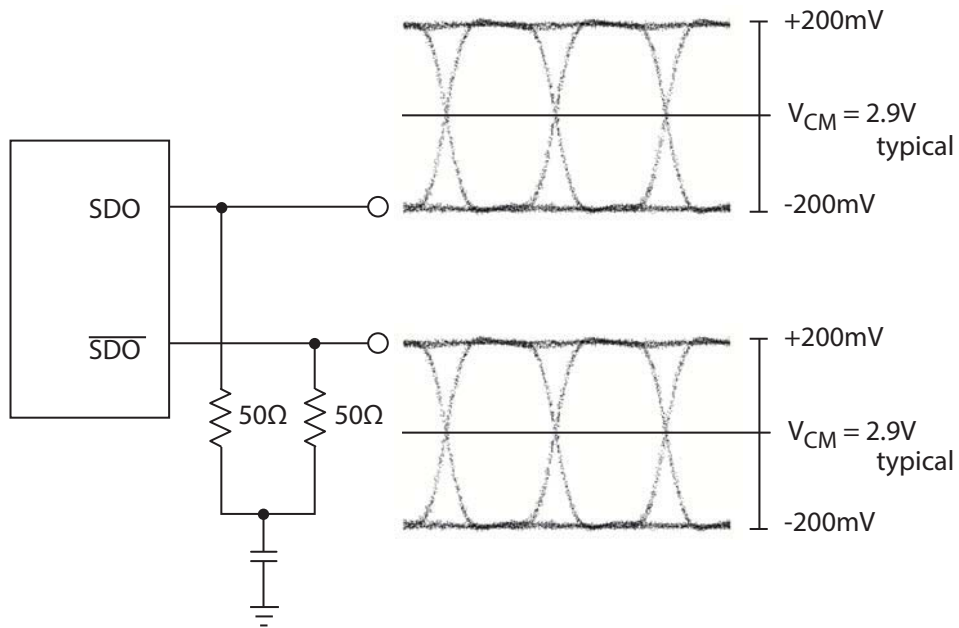


Figure 4-1: Typical Output Voltage Levels (for 3.3V Common Mode)

4.4 Programmable Squelch Adjust (SQ_ADJ)

The GS2984 incorporates a programmable Squelch Adjust (SQ_ADJ) threshold.

This feature can be useful in applications where there are multiple input channels using the GS2984 and the maximum gain can be limited to avoid crosstalk.

The SQ_ADJ pin acts to change the threshold of the Carrier Detect (\overline{CD}) pin, through voltage level variances. When the input signal drops below a certain threshold, the \overline{CD} pin will be driven high, indicating that there is not a valid input signal. In order to enable automatic muting of the output of the GS2984, the \overline{CD} pin should be connected directly to the MUTE pin. In applications where programmable squelch adjust is not required, the SQ_ADJ pin may be left unconnected. Figure 4-2 shows the relationship between the SQ_ADJ voltage and cable length at which \overline{CD} will assert or deassert.

This feature has been designed for use in applications such as routers, where signal crosstalk and circuit noise cause the equalizer to output erroneous data when no input signal is present. The use of a Carrier Detect function with a fixed internal reference does not solve this problem, since the signal to noise ratio on the circuit board could be significantly less than the default signal detection level set by the on chip reference.

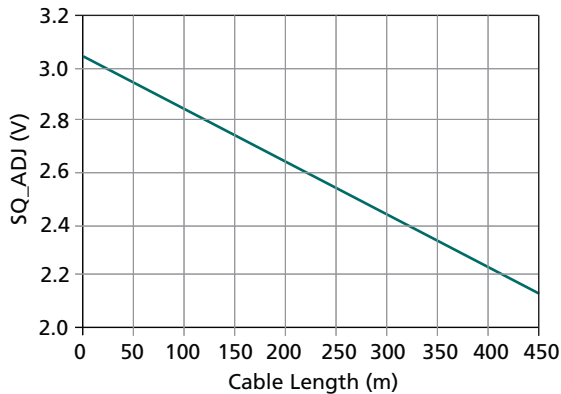


Figure 4-2: SQ_ADJ vs. Cable Length ($V_{CC}=3.3V$, room temperature, 800mV launch swing)

4.5 Mute and Carrier Detect

The GS2984 includes a MUTE input pin that allows the application interface to mute the Serial Digital Output at any time. Set the MUTE pin HIGH to mute SDO and \overline{SDO} . In this case, the outputs will mute regardless of the setting of the BYPASS pin.

A Carrier Detect output pin (\overline{CD}) indicates the presence of a valid signal at the input of the GS2984. When \overline{CD} is LOW, the device has detected a valid input on SDI and \overline{SDI} . When \overline{CD} is HIGH, the device has not detected a valid input.

Note 1: \overline{CD} will only detect loss of carrier for data rates greater than 19Mb/s. The \overline{CD} output pin may be connected directly to the MUTE input pin to enable automatic muting of the GS2984 when no valid input signal has been detected.

Note 2: If the maximum cable length is exceeded (set by the SQ_ADJ pin) and the device is not in Bypass mode, the \overline{CD} pin will not be driven low, even if a carrier is present.

Table 4-1: Mute Input

Mute	Function
0	SDO and \overline{SDO} operate normally.
1	SDO and \overline{SDO} are forced to a steady state (either HIGH or LOW).

Table 4-2: \overline{CD} Output

\overline{CD}	Input Status
0	Valid input on SDI, \overline{SDI} pins.
1	Input is not valid.

4.6 GAIN_SEL

The GS2984 has an option of compensating for 6dB of flat attenuation in applications where there has been some type of attenuation prior to the equalizer.

Table 4-3: GAIN_SEL Input Table

GAIN_SEL	Function
0	No flat band gain is applied.
1	6dB of flat attenuation will be compensated by the equalizer.

4.7 CMSET Operation

The GS2984 has a selectable output common mode level. This is useful when interfacing to chips that can accept 2.5V input common mode levels. In these cases, AC-coupling can be avoided by selecting the correct output common mode.

Table 4-4: CMSET Output Table

CMSET	Output Common Mode Voltage Level
0	The output common mode will be compatible with 3.3V CML.
1	The output common mode will be compatible with 2.5V CML.

Note: See [Section 2.2](#) for Output Common Mode Voltage specification.

4.8 Output Rise/Fall Times

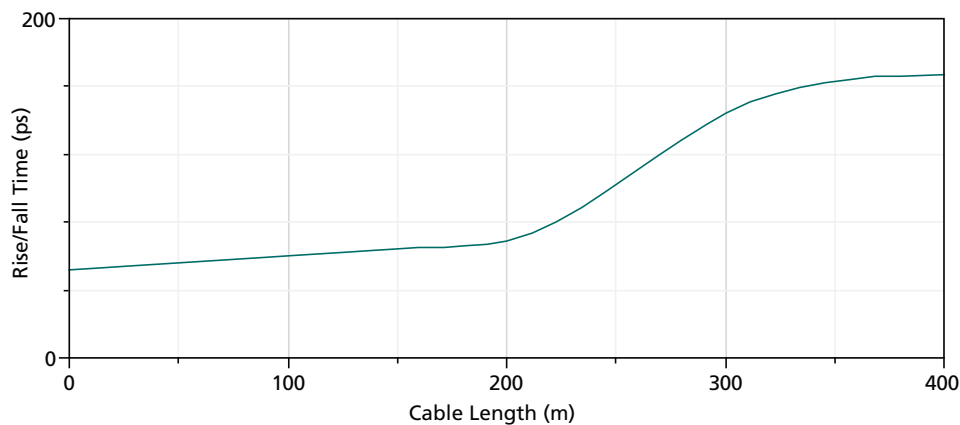


Figure 4-3: Typical Rise/Fall time for 270Mb/s data rate ($V_{CC}=3.3V$, room temperature, 800mV launch swing)

The GS2984 was designed to limit bandwidth as cable length is increased. During normal 3G (2.97Gb/s), HD (1.485Gb/s), and SD (270Mb/s) operation, the impact of this is minimal on rise and fall time over the operating range from 0-200m. Above 200m, this bandwidth limitation becomes more significant, and reduction in rise and fall time is observed. This means that for SD (270Mb/s) operation at cable lengths greater than 200m, rise and fall times slow as shown in [Figure 4-3](#) above. This is beneficial because at 270Mb/s, one unit interval is equal to 3.7ns, therefore rise and fall times less than 100ps are not required, and slower rise and fall times actually help to reduce EMI.

5. Application Information

5.1 High Gain Adaptive Cable Equalizers

The GS2984 is Semtech's latest multi-rate adaptive cable equalizer. In order to continue to extend the cable length that an equalizer will remain operational over, it is necessary to have high gain in the equalizer.

A video cable equalizer must provide wide band gain over a range of frequencies in order to accommodate the range of data rates and signal patterns that are present in a SMPTE compliant serial video stream.

The GS2984 has an increase in gain over the GS2974A at critical HD and 3Gb/s frequencies, and because of this, the GS2984 may be sensitive to signals at the input that the GS2974A will not be sensitive to.

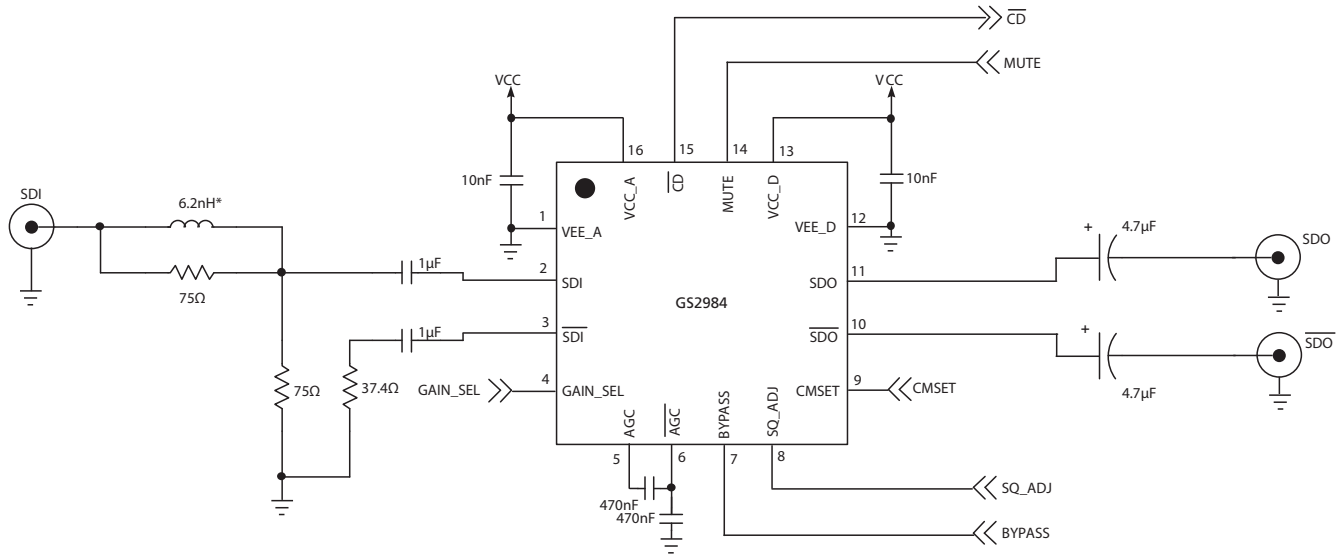
Small levels of signal or noise present at the input pins of the equalizer may cause chatter at the output. In order to prevent this from happening, particular attention must be paid to board layout.

5.2 PCB Layout

Special attention must be paid to component layout when designing Serial Digital Interfaces for HDTV. An FR-4 dielectric can be used, however, controlled impedance transmission lines are required for PCB traces longer than approximately 1cm. Note the following PCB artwork features used to optimize performance:

- PCB trace width for 3Gb/s rate signals is closely matched to SMT component width to minimize reflections due to change in trace impedance
- The PCB ground plane is removed under the GS2984 input components to minimize parasitic capacitance
- The PCB ground plane is removed under the GS2984 output components to minimize parasitic capacitance
- High-speed traces are curved to minimize impedance changes

5.3 Typical Application Circuit



Note: All resistors in Ohms, capacitors in Farads, and inductors in Henrys, unless otherwise noted.
* Value dependent on layout

Figure 5-1: GS2984 Typical Application Circuit

6. Package & Ordering Information

6.1 Package Dimensions

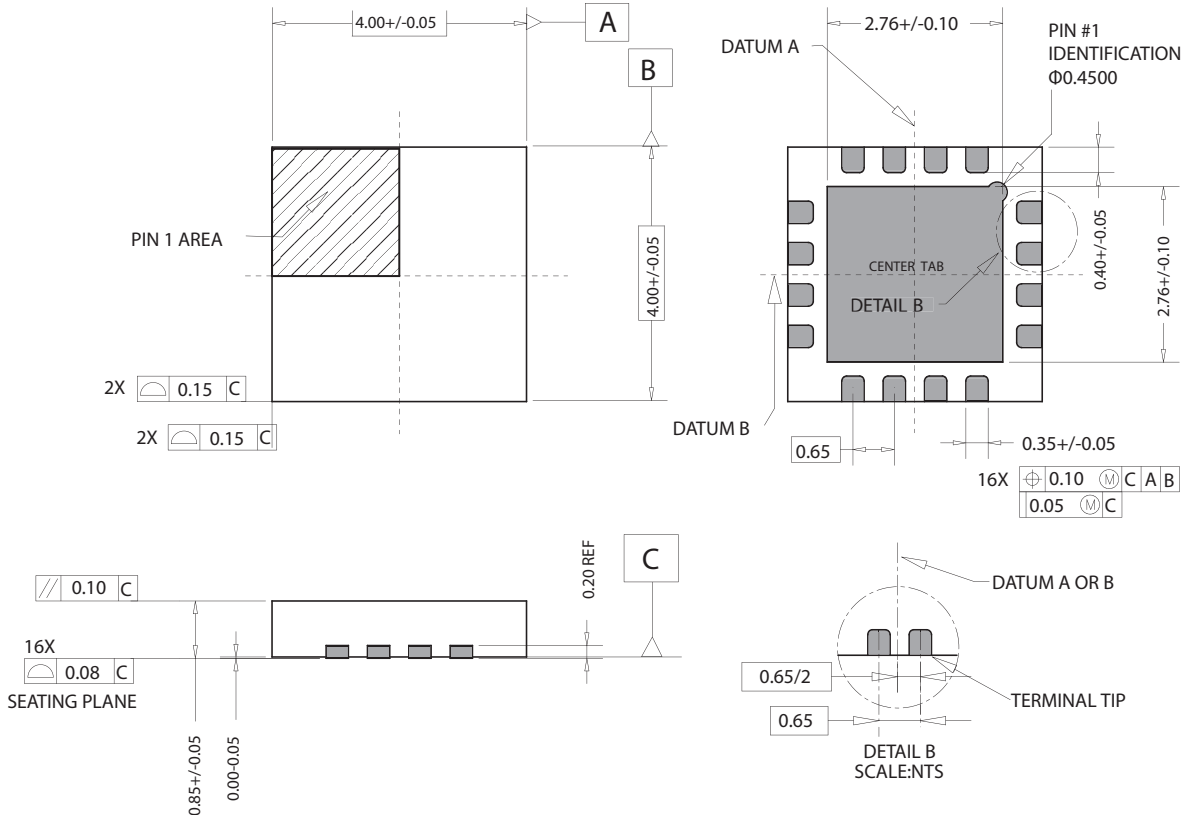


Figure 6-1: Package Dimensions

6.2 Packaging Data

Table 6-1: Packaging Data

Parameter	Value
Package Type	4mm x 4mm 16-pin QFN
Package Drawing Reference	JEDEC M0220
Moisture Sensitivity Level	3
Junction to Case Thermal Resistance, θ_{j-c}	31.0°C/W
Junction to Air Thermal Resistance, θ_{j-a} (at zero airflow)	43.8°C/W
Psi, ψ	11.0°C/W
Pb-free and RoHS compliant	Yes

6.3 Recommended PCB Footprint

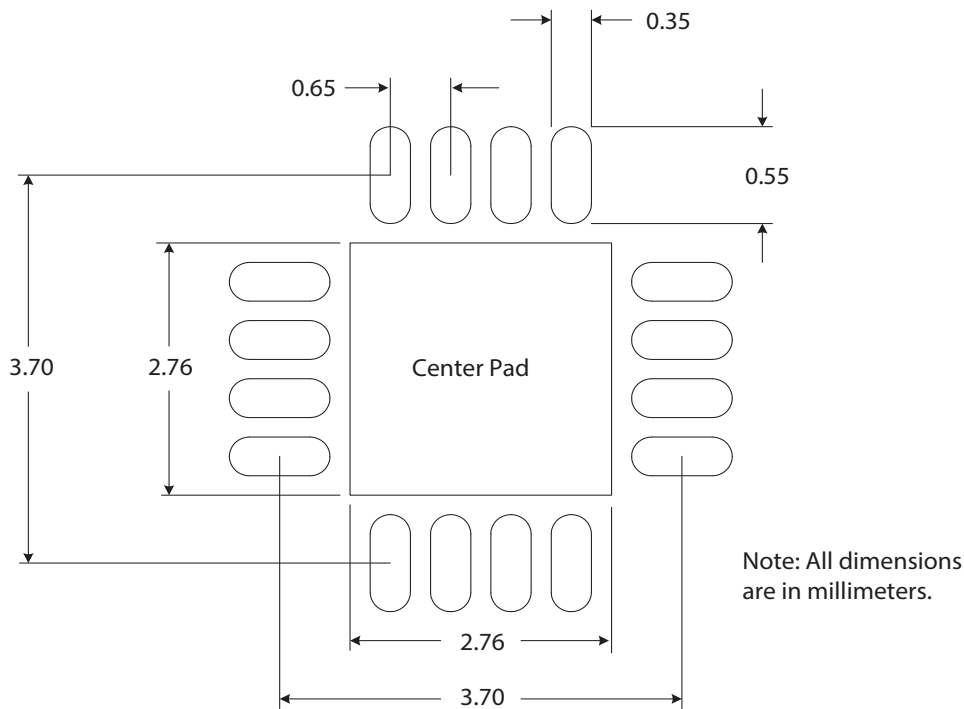


Figure 6-2: Recommended PCB Footprint

The Center Pad should be connected to the most negative power supply plane for analog circuitry in the device (VEE_A) by a minimum of 5 vias.

Note: Suggested dimensions only. Final dimensions should conform to customer design rules and process optimizations.

6.4 Marking Diagram

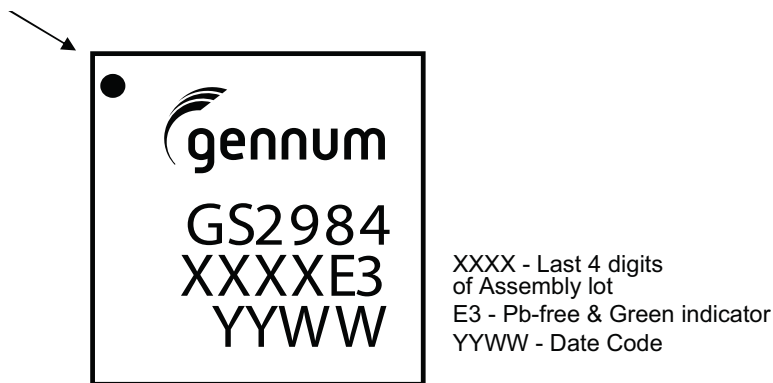


Figure 6-3: Marking Diagram

6.5 Solder Reflow Profiles

The GS2984 is available in a Pb-free package. It is recommended that the Pb-free package be soldered with Pb-free paste using the reflow profile shown in [Figure 6-4](#).

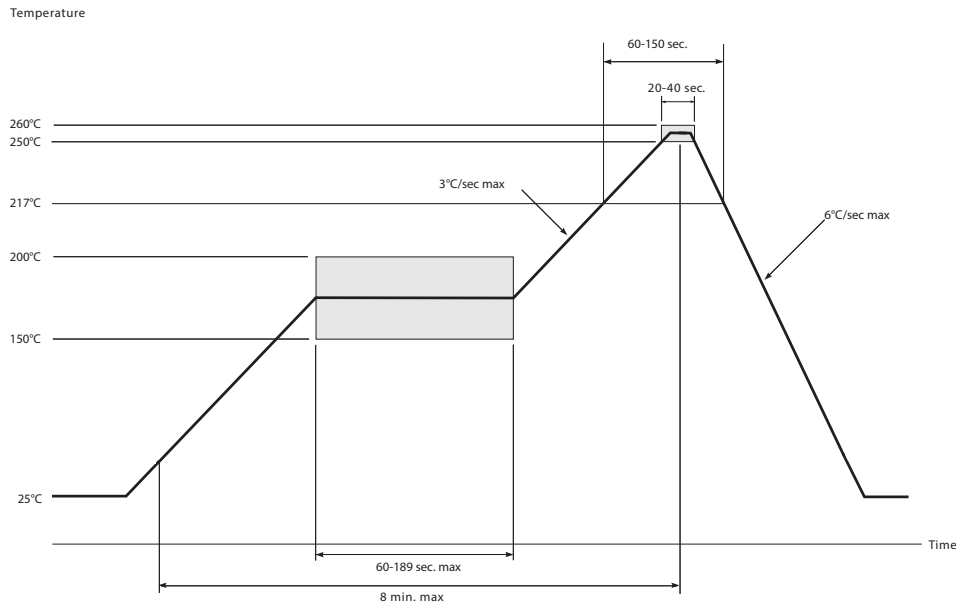


Figure 6-4: Maximum Pb-free Solder Reflow Profile

6.6 Ordering Information

Table 6-2: Ordering Information

	Part Number	Package	Temperature Range
GS2984	GS2984-INE3	16-pin QFN	-40°C to 85°C
GS2984	GS2984-INTE3	16-pin QFN Tape & Reel (250pcs)	-40°C to 85°C
GS2984	GS2984-INTE3Z	16-pin QFN Tape & Reel (2500pcs)	-40°C to 85°C



IMPORTANT NOTICE

Information relating to this product and the application or design described herein is believed to be reliable, however such information is provided as a guide only and Semtech assumes no liability for any errors in this document, or for the application or design described herein. Semtech reserves the right to make changes to the product or this document at any time without notice. Buyers should obtain the latest relevant information before placing orders and should verify that such information is current and complete. Semtech warrants performance of its products to the specifications applicable at the time of sale, and all sales are made in accordance with Semtech's standard terms and conditions of sale.

SEMTECH PRODUCTS ARE NOT DESIGNED, INTENDED, AUTHORIZED OR WARRANTED TO BE SUITABLE FOR USE IN LIFE-SUPPORT APPLICATIONS, DEVICES OR SYSTEMS, OR IN NUCLEAR APPLICATIONS IN WHICH THE FAILURE COULD BE REASONABLY EXPECTED TO RESULT IN PERSONAL INJURY, LOSS OF LIFE OR SEVERE PROPERTY OR ENVIRONMENTAL DAMAGE. INCLUSION OF SEMTECH PRODUCTS IN SUCH APPLICATIONS IS UNDERSTOOD TO BE UNDERTAKEN SOLELY AT THE CUSTOMER'S OWN RISK. Should a customer purchase or use Semtech products for any such unauthorized application, the customer shall indemnify and hold Semtech and its officers, employees, subsidiaries, affiliates, and distributors harmless against all claims, costs damages and attorney fees which could arise.

The Semtech name and logo are registered trademarks of the Semtech Corporation. All other trademarks and trade names mentioned may be marks and names of Semtech or their respective companies. Semtech reserves the right to make changes to, or discontinue any products described in this document without further notice. Semtech makes no warranty, representation or guarantee, express or implied, regarding the suitability of its products for any particular purpose. All rights reserved.

© Semtech 2015

Contact Information

Semtech Corporation
200 Flynn Road, Camarillo, CA 93012
Phone: (805) 498-2111, Fax: (805) 498-3804
www.semtech.com

X-ON Electronics

Largest Supplier of Electrical and Electronic Components

Click to view similar products for [Equalisers](#) category:

Click to view products by [Semtech](#) manufacturer:

Other Similar products are found below :

[M22554G-12](#) [M21424G-13](#) [PTN3944EWY](#) [M21518G-13](#) [EQCO30T5.2](#) [AD8195ACPZ-R7](#) [AD8192ACPZ-RL7](#) [AD8124ACPZ](#)
[AD8128ACPZ-R2](#) [AD8192ACPZ](#) [AD8194ACPZ](#) [AD8195ACPZ](#) [AD8197AASTZ](#) [ADV3002BSTZ](#) [ADV3003ACPZ](#) [ADV3003ACPZ-R7](#)
[MAX3814CHJ+T](#) [MAX3802UTK+D](#) [MAX3980UTH+](#) [MAX3804ETE+](#) [MAX3787AWL+T](#) [MAX3815ACCM+](#) [MAX3815CCM+TD](#)
[MAX3800UHJ+](#) [MAX3814CHJ+](#) [EQCO125T40C1T-I/8EX](#) [EQCO62T20.3](#) [GS3440-INTE3](#) [MAX3984UTE+](#) [MAX3982UTE+](#) [GS2964-](#)
[INE3](#) [GS6042-INE3](#) [GS2974ACNE3](#) [GS2984-INE3](#) [GS3440-INE3](#) [GS3490-INTE3](#) [GS2993-INE3](#) [SN75LVPE802RTJT](#)
[NB7VQ1006MMNG](#) [QPC7334SR](#) [QPC7335SR](#) [GS1524-CKDE3](#) [ISL54102ACQZ](#) [VSC7111XJW](#) [GS12141-INE3](#) [GS12341-INE3](#)
[GS12190-INE3](#) [GS3490-INE3](#) [GS3590-INE3](#) [EQCO30R5.D](#)