

**PROTECTION PRODUCTS - RailClamp®**
**Description**

The RailClamp® series is a family of ultra low capacitance TVS arrays designed to protect high speed data interfaces. This series has been specifically designed to protect sensitive components which are connected to high-speed data and transmission lines from overvoltage caused by **ESD** (electrostatic discharge), **CDE** (Cable Discharge Events), and **EFT** (electrical fast transients). They are designed for use in applications where board space is at a premium. Each device requires less than 1.5mm<sup>2</sup> of PCB area and will protect up to three high speed data lines.

The monolithic design incorporates surge rated, low capacitance steering diodes and a TVS diode in a single package. Each line has a maximum capacitance of 0.5pF to ground. The capacitance of each line is well matched for constant signal balance. A connection to the TVS is provided for protection of an external voltage bus, such as those found in USB applications. This device is optimized for ESD protection of portable electronics. They may be used to meet the ESD immunity requirements of IEC 61000-4-2, Level 4 ( $\pm 15\text{kV}$  air,  $\pm 8\text{kV}$  contact discharge).

The RClamp0503N is in a 6-pin, RoHS/WEEE compliant, SLP1510N6 package. It measures 1.45 x 1.0 x 0.58mm. The small package makes it ideal for use in portable electronics such as cell phones, laptops, and digital still cameras.

**Features**

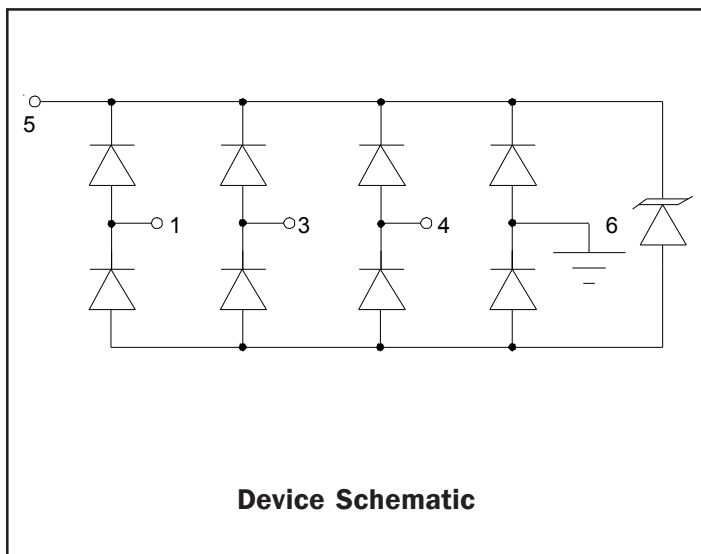
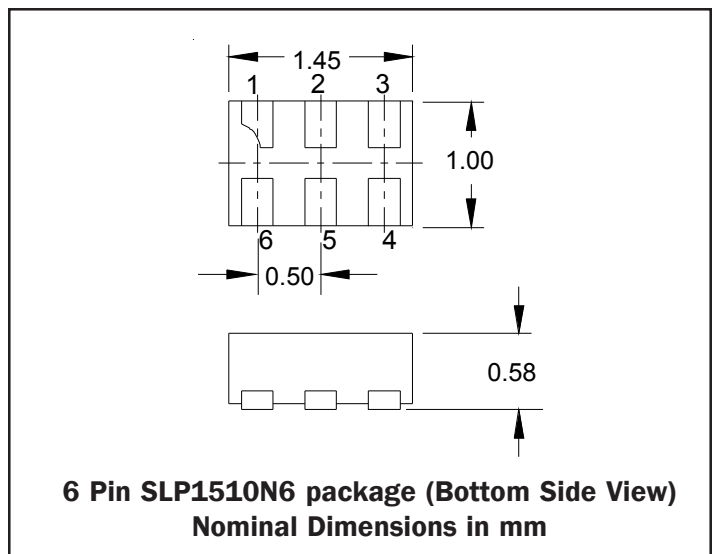
- ◆ ESD protection for high-speed data lines to **IEC 61000-4-2 (ESD)  $\pm 15\text{kV}$  (air),  $\pm 8\text{kV}$  (contact)**
- ◆ **IEC 61000-4-4 (EFT) 40A (5/50ns)**
- ◆ Array of surge rated diodes with internal TVS Diode
- ◆ Small package saves board space
- ◆ Protects three I/O lines and a power line
- ◆ Low capacitance: **0.5pF** maximum
- ◆ Low clamping voltage
- ◆ Solid-state silicon-avalanche technology

**Mechanical Characteristics**

- ◆ SLP1510N6 Package
- ◆ RoHS/WEEE Compliant
- ◆ Nominal Dimensions: 1.45 x 1.0 x 0.58 mm
- ◆ Lead Pitch: 0.5mm
- ◆ Lead Finish: NiPdAu
- ◆ Marking : Marking Code
- ◆ Packaging : Tape and Reel

**Applications**

- ◆ USB OTG
- ◆ MMC Port
- ◆ Serial ATA
- ◆ Video Port
- ◆ SIM Port
- ◆ PCI Express

**Circuit Diagram**

**Package Dimensions**


**PROTECTION PRODUCTS**
**Absolute Maximum Rating**

| Rating   | Symbol    | Value       | Units |
|--|-----------|-------------|-------|
| Peak Pulse Power (tp = 8/20µs)                                 | $P_{pk}$  | 100         | Watts |
| Peak Pulse Current (tp = 8/20µs)                               | $I_{pp}$  | 3           | A     |
| ESD per IEC 61000-4-2 (Air)<br>ESD per IEC 61000-4-2 (Contact) | $V_{ESD}$ | ±15<br>±8   | kV    |
| Operating Temperature  | $T_J$     | -55 to +125 | °C    |
| Storage Temperature  | $T_{STG}$ | -55 to +150 | °C    |

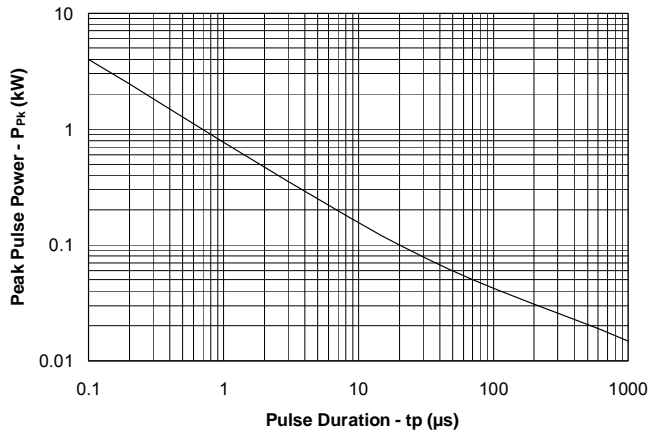
**Electrical Characteristics (T = 25°C)**

| <b>RClamp0503N</b>        |           |   |         |         |         |       |
|---------------------------|-----------|---|---------|---------|---------|-------|
| Parameter                 | Symbol    | Conditions  | Minimum | Typical | Maximum | Units |
| Reverse Stand-Off Voltage | $V_{RWM}$ | Pin 5 to GND  |         |         | 6.5     | V     |
| Reverse Breakdown Voltage | $V_{BR}$  | $I_t = 1mA$<br>Pin 5 to GND                         | 7       | 9.5     | 12      | V     |
| Reverse Leakage Current   | $I_R$     | $V_{RWM} = 6.5V, T=25°C$<br>Pin 5 to GND            |         |         | 1       | µA    |
| Forward Voltage           | $V_F$     | $I_f = 15mA$<br>Any I/O to pin 5                    |         | 0.9     | 1.2     | V     |
| Clamping Voltage          | $V_C$     | $I_{pp} = 1A, tp = 8/20µs$<br>Any I/O pin to Ground |         |         | 16.5    | V     |
| Clamping Voltage          | $V_C$     | $I_{pp} = 3A, tp = 8/20µs$<br>Any I/O pin to Ground |         |         | 30      | V     |
| Junction Capacitance      | $C_J$     | $V_R = 0V, f = 1MHz$<br>Any I/O pin to Ground       |         | 0.3     | 0.5     | pF    |
|                           |           | $V_R = 0V, f = 1MHz$<br>Between I/O pins            |         | 0.3     | 0.5     | pF    |

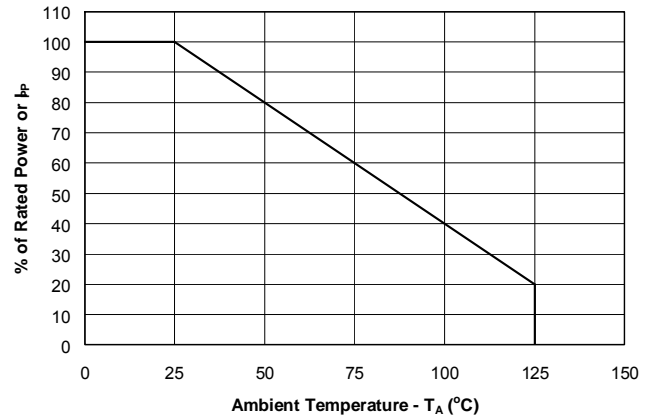
PROTECTION PRODUCTS

Typical Characteristics

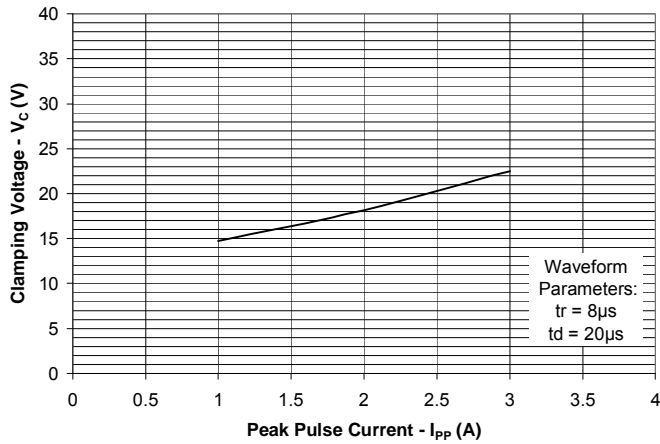
Non-Repetitive Peak Pulse Power vs. Pulse Time



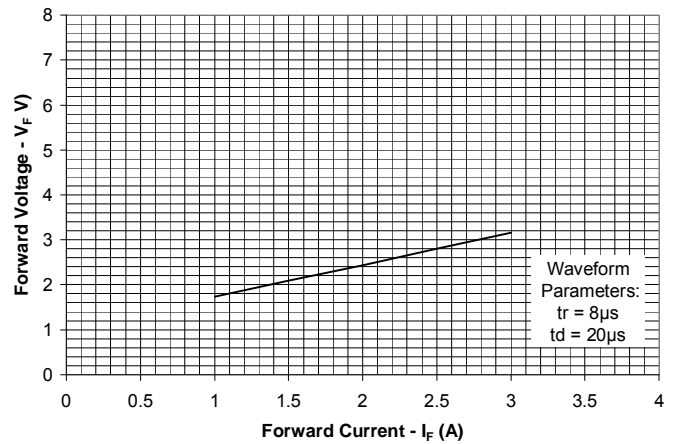
Power Derating Curve



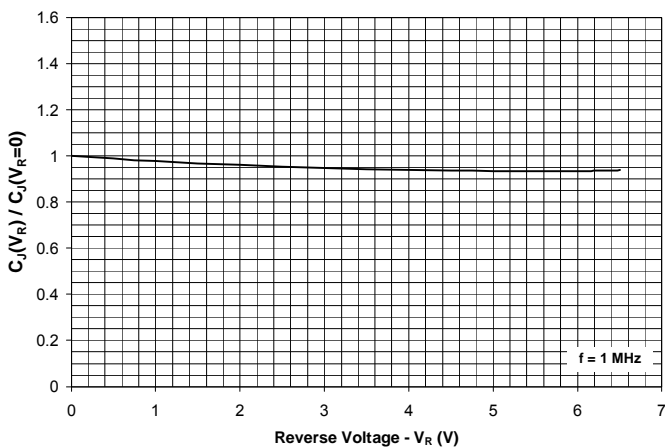
Clamping Voltage vs. Peak Pulse Current  
I/O to Gnd - Pin 1, 3, 4 to Gnd at Pin 6



Forward Voltage vs. Forward Current  
Pin 1,3,4 or 6 to Pin 5



Normalize Capacitance vs. Reverse Voltage  
I/O to Gnd - Pin 1, 3, 4 to Gnd at Pin 6



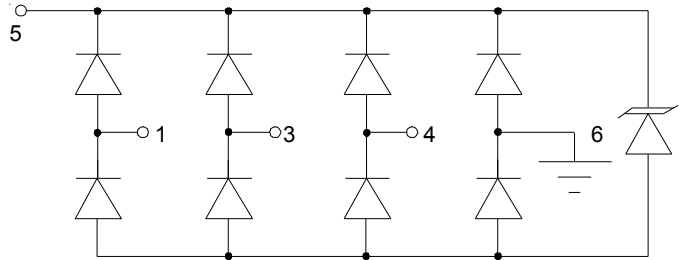
## PROTECTION PRODUCTS

### Applications Information

#### Device Connection Options for Protection of three High-Speed Data Lines

Data line inputs are normally connected at pins 1, 3, & 4 with pin 6 connected to ground. Note that the circuit at the ground pin is identical to the circuit at each data input/output pin. This is done to further reduce capacitance. The connection to ground should be made directly to a ground plane. The path length should also be kept as short as possible to minimize parasitic inductance. Pin 5 can be connected to Vcc biased or left not connected depending upon the application.

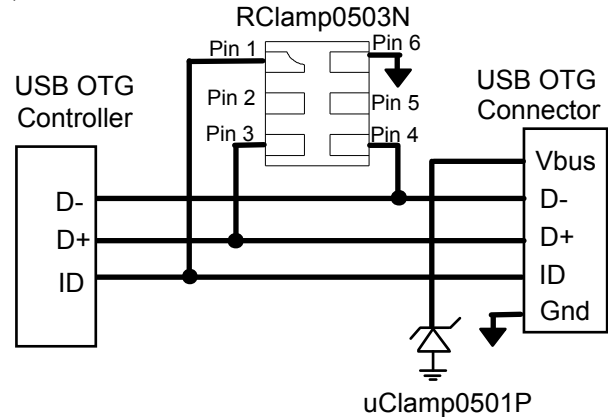
**Figure 1- Pin Configuration & Circuit Diagram**



#### Protecting USB OTG Interfaces

The USB OTG interface consists of Data (D- and D+) lines, ID and a 5.25V voltage bus. Since these pins are part of the connector, they are vulnerable to ESD and cable discharge events. The RClamp0503N is designed to protect D-, D+, and ID pins of USB OTG connections. Each device will protect one USB OTG port. When the voltage on the data lines exceeds the bus voltage (plus one diode drop), the internal rectifiers are forward biased conducting the transient current away from the protected controller chip. The TVS diode directs the surge to ground. For Vbus protection, an additional single line TVS, such as uClamp0501P, should be added.

**Figure 2 - USB OTG Protection**



PROTECTION PRODUCTS

Applications Information - Spice Model

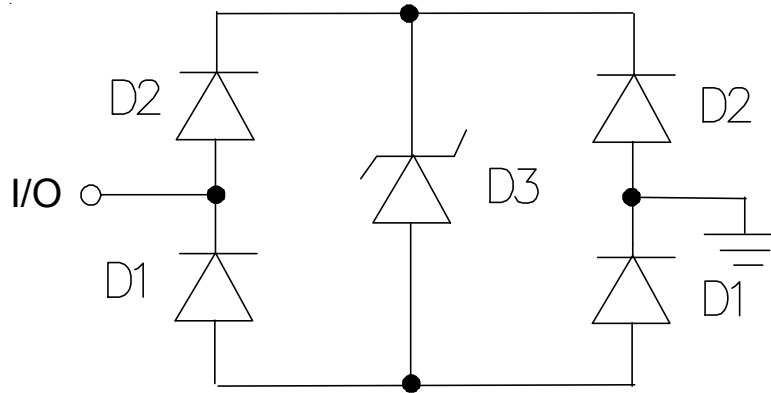
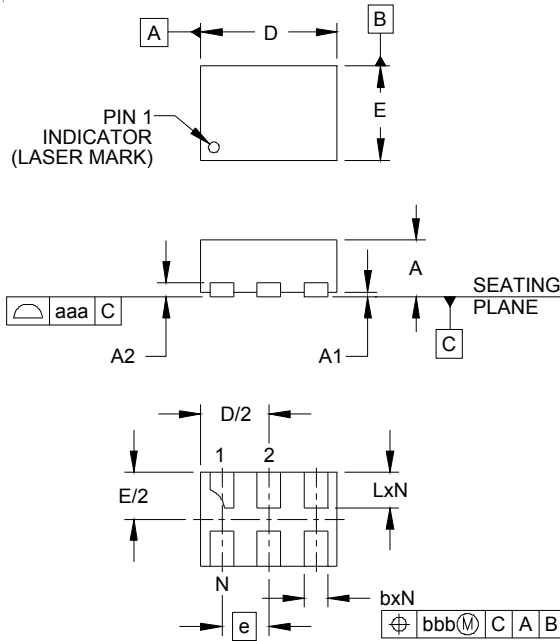


Figure 3 - RClamp0503N Spice Model

| RClamp0503N Spice Parameters |       |           |           |          |
|------------------------------|-------|-----------|-----------|----------|
| Parameter                    | Unit  | D1 (LCRD) | D2 (LCRD) | D3 (TVS) |
| IS                           | Amp   | 1.0E-20   | 1.0E-20   | 2E-12    |
| BV                           | Volt  | 100       | 100       | 9        |
| VJ                           | Volt  | 0.7       | 0.7       | 0.6      |
| RS                           | Ohm   | 0.458     | 1.0       | 2.6      |
| IBV                          | Amp   | 1.0 E-3   | 1.0 E-3   | 1.0 E-3  |
| CJO                          | Farad | 0.4E-12   | 0.4E-12   | 56E-12   |
| TT                           | sec   | 2.541E-9  | 2.541E-9  | 2.541E-9 |
| M                            | --    | 0.058     | 0.058     | 0.23     |
| N                            | --    | 1.1       | 1.1       | 1.1      |
| EG                           | eV    | 1.11      | 1.11      | 1.11     |

PROTECTION PRODUCTS

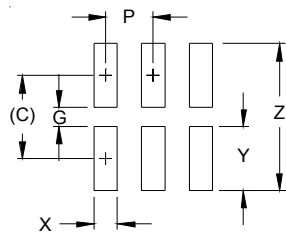
Outline Drawing - SLP1510N6



| DIM | INCHES   |        | MILLIMETERS |      |        |       |
|-----|----------|--------|-------------|------|--------|-------|
|     | MIN      | NOM    | MAX         | MIN  | NOM    | MAX   |
| A   | .020     | .023   | .026        | 0.50 | 0.58   | 0.65  |
| A1  | 0.00     | .001   | .002        | 0.00 | 0.03   | 0.05  |
| A2  |          | (.005) |             |      | (0.13) |       |
| b   | .008     | .010   | .012        | 0.20 | 0.25   | 0.30  |
| D   | .053     | .057   | .061        | 1.35 | 1.45   | 1.55  |
| E   | .035     | .039   | .043        | 0.90 | 1.00   | 1.10  |
| e   | .020 BSC |        | 0.50 BSC    |      |        |       |
| L   | .012     | .015   | .017        | 0.30 | 0.38   | 0.425 |
| N   | 6        |        | 6           |      |        |       |
| aaa | .003     |        | 0.08        |      |        |       |
| bbb | .004     |        | 0.10        |      |        |       |

- NOTES:
1. CONTROLLING DIMENSIONS ARE IN MILLIMETERS (ANGLES IN DEGREES).
  2. COPLANARITY APPLIES TO THE EXPOSED PAD AS WELL AS THE TERMINALS.

Land Pattern - SLP1510N6

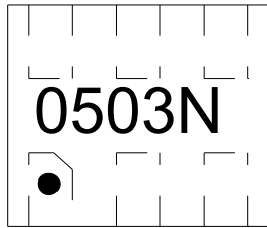


| DIM | DIMENSIONS |             |
|-----|------------|-------------|
|     | INCHES     | MILLIMETERS |
| C   | (.034)     | (0.875)     |
| G   | .008       | 0.20        |
| P   | .020       | 0.50        |
| X   | .010       | 0.25        |
| Y   | .027       | 0.675       |
| Z   | .061       | 1.55        |

- NOTES:
1. THIS LAND PATTERN IS FOR REFERENCE PURPOSES ONLY. CONSULT YOUR MANUFACTURING GROUP TO ENSURE YOUR COMPANY'S MANUFACTURING GUIDELINES ARE MET.

## PROTECTION PRODUCTS

### Marking Codes

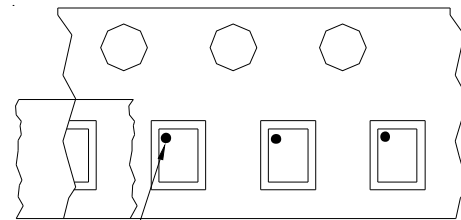
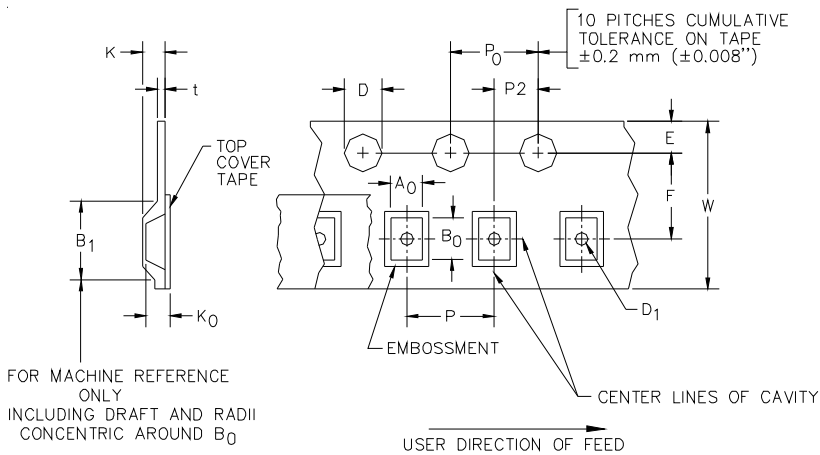


### Ordering Information

| Part Number     | Qty per Reel | Reel Size |
|-----------------|--------------|-----------|
| RClamp0503N.TCT | 3,000        | 7 Inch    |

RClamp and RClamp are marks of Semtech Corporation

### Tape and Reel Specification



Pin 1 Location

User Direction of feed

### Device Orientation in Tape

| A0          | B0          | K0          |
|-------------|-------------|-------------|
| 1.24±0.10mm | 1.70±0.10mm | 0.76±0.10mm |

| Tape Width | B, (Max)      | D  | D1                  | E                        | F                       | K (MAX)       | P                       | P0                      | P2                     | T(MAX)        | W                                    |
|------------|---------------|--|---------------------|--------------------------|-------------------------|---------------|-------------------------|-------------------------|------------------------|---------------|--------------------------------------|
| 8 mm       | 4.2 mm (.165) | 1.5 + 0.1 mm - 0.0 mm (0.59 +.005 -.000) | 0.8 mm ±0.05 (.031) | 1.750±.10 mm (.069±.004) | 3.5±0.05 mm (.138±.002) | 2.4 mm (.094) | 4.0±0.1 mm (.157±.00-4) | 4.0±0.1 mm (.157±.00-4) | 2.0±0.05mm (.079±.002) | 0.4 mm (.016) | 8.0 mm + 0.3 mm - 0.1 mm (.312±.012) |

### Contact Information

Semtech Corporation  
 Protection Products Division  
 200 Flynn Road, Camarillo, CA 93012  
 Phone: (805)498-2111 FAX (805)498-3804

## X-ON Electronics

Largest Supplier of Electrical and Electronic Components

*Click to view similar products for [ESD Suppressors / TVS Diodes](#) category:*

*Click to view products by [Semtech](#) manufacturer:*

Other Similar products are found below :

[60KS200C](#) [D12V0H1U2WS-7](#) [D18V0L1B2LP-7B](#) [82356050220](#) [D5V0M5U6V-7](#) [NTE4902](#) [P4KE27CA](#) [P6KE11CA](#) [P6KE39CA-TP](#)  
[P6KE8.2A](#) [SA110CA](#) [SA60CA](#) [SA64CA](#) [SMBJ12CATR](#) [SMBJ8.0A](#) [SMLJ30CA-TP](#) [ESD101-B1-02ELS E6327](#) [ESD112-B1-02EL E6327](#)  
[ESD119B1W01005E6327XTSA1](#) [ESD5V0L1B02VH6327XTSA1](#) [ESD7451N2T5G](#) [19180-510](#) [CPDT-5V0USP-HF](#) [3.0SMCJ33CA-F](#)  
[3.0SMCJ36A-F](#) [HSPC16701B02TP](#) [D3V3Q1B2DLP3-7](#) [D55V0M1B2WS-7](#) [DESD5V0U1BL-7B](#) [DRTR5V0U4SL-7](#) [SCM1293A-04SO](#)  
[ESD200-B1-CSP0201 E6327](#) [ESD203-B1-02EL E6327](#) [SM12-7](#) [SMF8.0A-TP](#) [SMLJ45CA-TP](#) [CEN955 W/DATA](#) [82350120560](#)  
[82356240030](#) [VESD12A1A-HD1-GS08](#) [CPDUR5V0R-HF](#) [CPDUR24V-HF](#) [CPDQC5V0U-HF](#) [CPDQC5V0USP-HF](#) [CPDQC5V0-HF](#)  
[D1213A-01LP4-7B](#) [D1213A-02WL-7](#) [ESDLIN1524BJ-HQ](#) [5KP100A](#) [5KP15A](#)