

PROTECTION PRODUCTS - RailClamp®
Description

RailClamp® is a low capacitance TVS array designed to protect high speed data interfaces. This series has been specifically designed to protect sensitive components which are connected to data and transmission lines from overvoltage caused by **ESD** (electrostatic discharge), **CDE** (Cable Discharge Events), and **EFT** (electrical fast transients).

The RClamp3655P is specifically designed to protect portable devices that utilize a uUSB port with an additional FM radio pin. The unique design of this device features low capacitance TVS diodes for protection of the USB data (DP, DM), USB ID, and FM radio pins operating up to 5 volts. Loading capacitance on these lines is <1pF for maximum signal integrity. An integrated 28 volt TVS diode is used for protection of the USB voltage bus. This ensures the device will remain in a high-impedance state during normal USB operation or when the battery is being charged. Leakage current of the VBus protection is <250nA when operating at 28 volts.

The RClamp3655P is in an 8-pin, RoHS compliant, SLP3313P6 package. It measures 3.3 x 1.3 x 0.50mm. The leads are spaced at a pitch of 0.5mm and are finished with lead-free NiPdAu. They may be used to meet the ESD immunity requirements of IEC 61000-4-2, Level 4 (15kV air, 8kV contact discharge).

Features

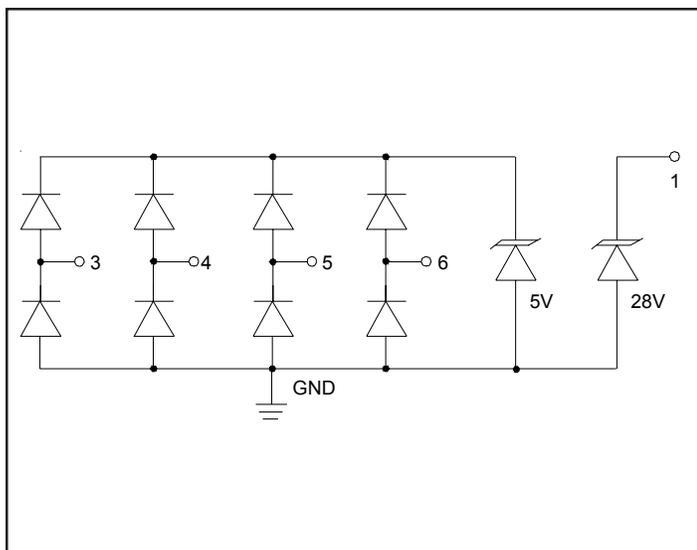
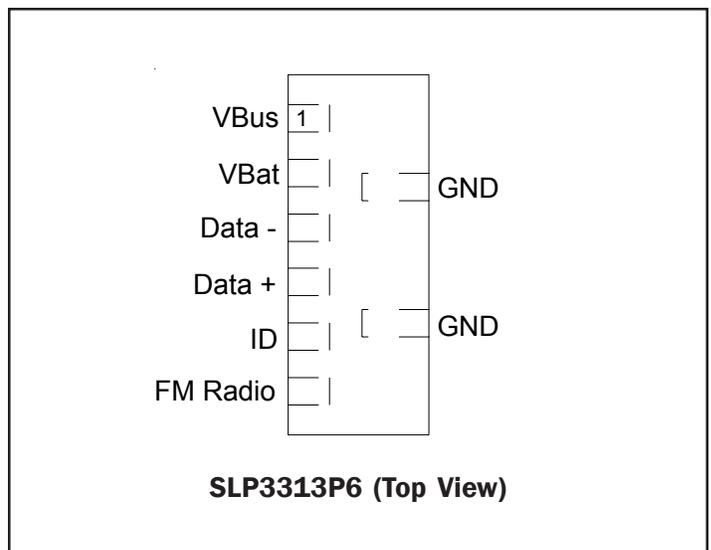
- ◆ Transient protection for high-speed data lines to **IEC 61000-4-2 (ESD) ±15kV (air), ±8kV (contact) IEC 61000-4-4 (EFT) 40A (5/50ns)**
- ◆ Array of surge rated diodes with internal TVS Diode
- ◆ Small package saves board space
- ◆ Protects USB DP, DM, FM radio, and ID Pins to 5V
- ◆ Protects USB VBus operating up to 28V
- ◆ Low capacitance (**<1pF**) on DP, DM, FM and ID Pins
- ◆ No insertion loss to **2.0GHz**
- ◆ Low leakage current
- ◆ Low clamping voltage
- ◆ Innovative package for easy pcb layout
- ◆ Solid-state silicon-avalanche technology

Mechanical Characteristics

- ◆ SLP3313P6 8L package
- ◆ RoHS/WEEE Compliant
- ◆ Nominal Dimensions: 3.3 x 1.3 x 0.50 mm
- ◆ Lead Finish: NiPdAu
- ◆ Molding compound flammability rating: UL 94V-0
- ◆ Marking: Marking code
- ◆ Packaging: Tape and Reel

Applications

- ◆ uUSB Interfaces with FM radio Option
- ◆ USB OTG

Circuit Diagram

PIN Configuration


PROTECTION PRODUCTS
Absolute Maximum Rating

Rating	Symbol	Value	Units
DP, DM, USB ID, FM Radio (Pins 3, 4, 5, 6)			
Peak Pulse Power (tp = 8/20μs)	P_{pk}	75	Watts
Peak Pulse Current (tp = 8/20μs)	I_{PP}	5	A
ESD per IEC 61000-4-2 (Air) ESD per IEC 61000-4-2 (Contact)	V_{ESD}	±18 ±12	kV
Operating Temperature	T_J	-55 to +125	°C
Storage Temperature	T_{STG}	-55 to +150	°C
VBus (Pin 1)			
Peak Pulse Power (tp = 8/20μs)	P_{pk}	350	Watts
Peak Pulse Current (tp = 8/20μs)	I_{PP}	4	A
ESD per IEC 61000-4-2 (Air) ESD per IEC 61000-4-2 (Contact)	V_{ESD}	±18 ±12	kV
Operating Temperature	T_J	-55 to +125	°C
Storage Temperature	T_{STG}	-55 to +150	°C

PROTECTION PRODUCTS
Electrical Characteristics (T = 25°C)

DM, DP, USB ID, FM Radio (Pins 3, 4, 5, 6)						
Parameter	Symbol	Conditions	Minimum	Typical	Maximum	Units
Reverse Stand-Off Voltage	V_{RWM}	Pin 3, 4, 5, or 6 to GND			5	V
Reverse Breakdown Voltage	V_{BR}	$I_t = 1mA$, Pin 3, 4, 5, or 6 to GND	6.5	8	11	V
Reverse Leakage Current	I_R	$V_{RWM} = 5.0V$, Pin 3, 4, 5, or 6 to GND		0.005	0.100	μA
Forward Voltage	V_F	$I_f = 15mA$ GND to Pin 3, 4, 5, or 6	0.6		1.2	V
Clamping Voltage	V_C	$I_{pp} = 1A$, $t_p = 8/20\mu s$ Pin 3, 4, 5, or 6 to GND			12	V
Clamping Voltage	V_C	$I_{pp} = 5A$, $t_p = 8/20\mu s$ Pin 3, 4, 5, or 6 to GND			15	V
Junction Capacitance	C_j	$V_R = 0V$, $f = 1MHz$, Pin 3, 4, 5, or 6 to GND		0.7	0.80	pF
		$V_R = 0V$, $f = 1MHz$, Between I/O pins			0.4	pF

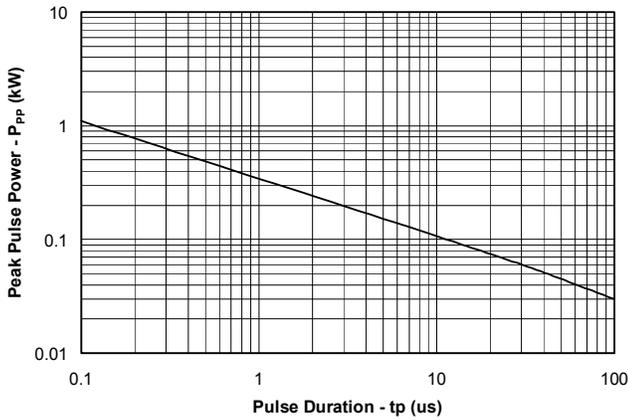
PROTECTION PRODUCTS
Electrical Characteristics (T = 25°C)

VBus TVS (Pin 1)						
Parameter	Symbol	Conditions	Minimum	Typical	Maximum	Units
Reverse Stand-Off Voltage	V_{RWM}	Pin 1 to GND			28	V
Reverse Breakdown Voltage	V_{BR}	$I_t = 1\text{mA}$, Pin 1 to GND	32	36	40	V
Reverse Leakage Current	I_R	$V_{RWM} = 28\text{V}$ Pin 1 to GND		0.010	0.250	μA
Forward Voltage	V_F	$I_f = 10\text{mA}$ GND to Pin 1	0.6		1.0	V
Forward Clamping Voltage	V_{FC}	$I_{PP} = 10\text{A}$, $t_p = 8/20\mu\text{s}$ Ground to Pin 1			3	V
Clamping Voltage	V_C	$I_{PP} = 1\text{A}$, $t_p = 8/20\mu\text{s}$ Pin 1 to Ground			48	V
Junction Capacitance	C_J	$V_R = 0\text{V}$, $f = 1\text{MHz}$ Pin 1 to GND		28	40	pF

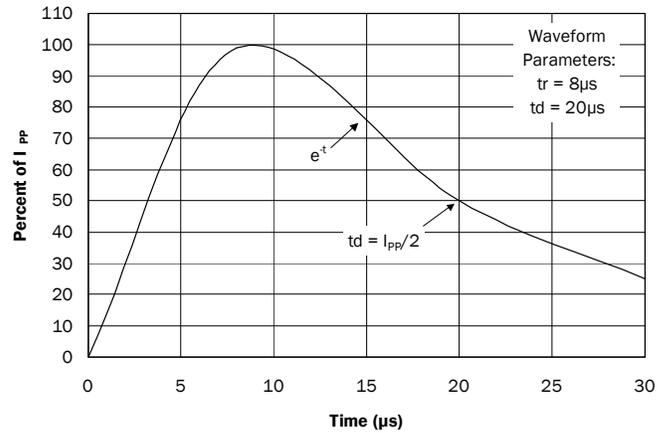
PROTECTION PRODUCTS

Typical Characteristics

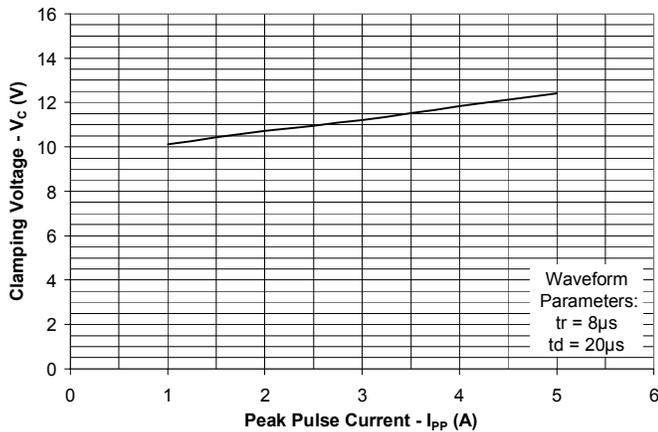
**Non-Repetitive Peak Pulse Power vs. Pulse Time
(Data Lines - Pins 3, 4, 5, or 6 to GND)**



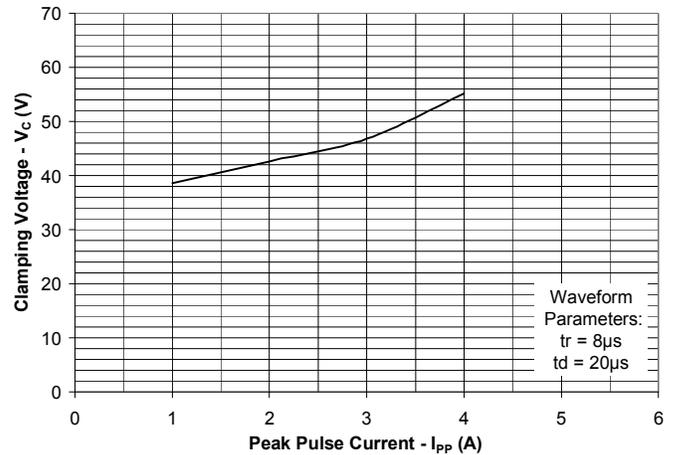
Pulse Waveform



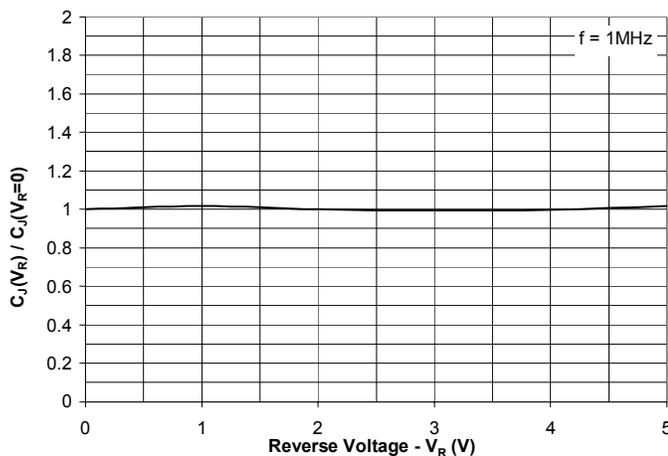
**Clamping Voltage vs. Peak Pulse Current
(Data Lines - Pins 3, 4, 5, or 6 to GND)**



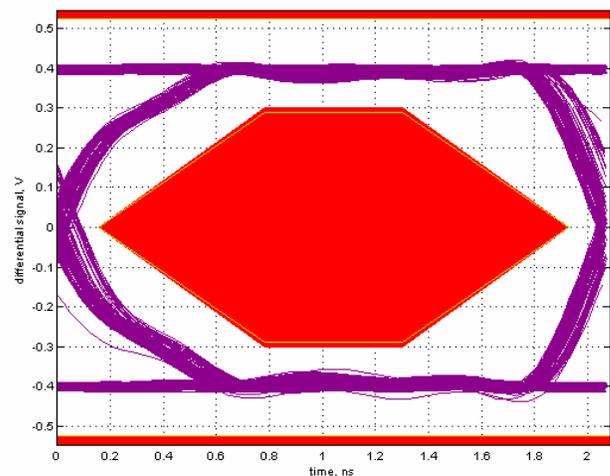
**Clamping Voltage vs. Peak Pulse Current
(VBus - Pin 1 to GND)**



**Normalized Capacitance vs. Reverse Voltage
(Data Lines - Pin 3, 4, 5, or 6 to GND)**



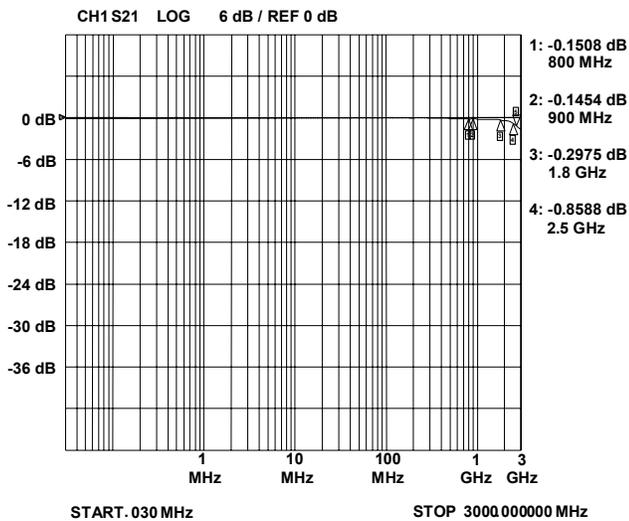
**USB 2.0 Eye Pattern with RClamp3655P
(Data Lines - Pin 3 and 4)**



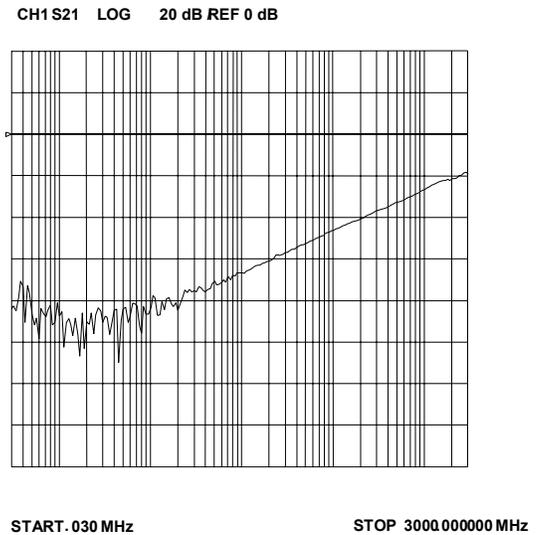
PROTECTION PRODUCTS

Typical Characteristics

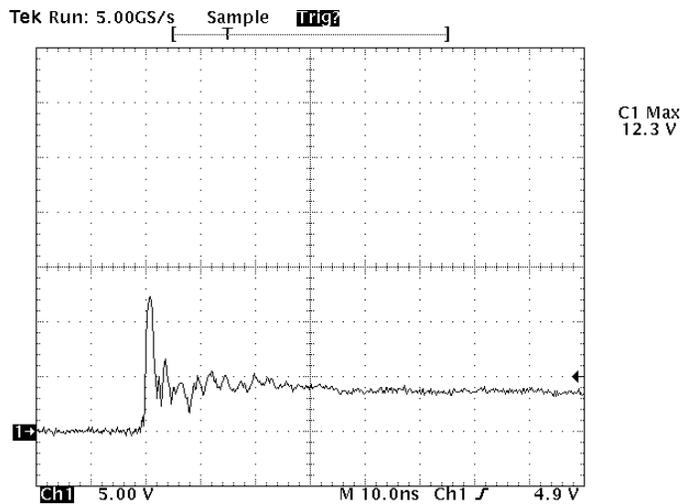
**Insertion Loss S21
(Pin 3, 4, 5, or 6 to GND)**



Analog Crosstalk

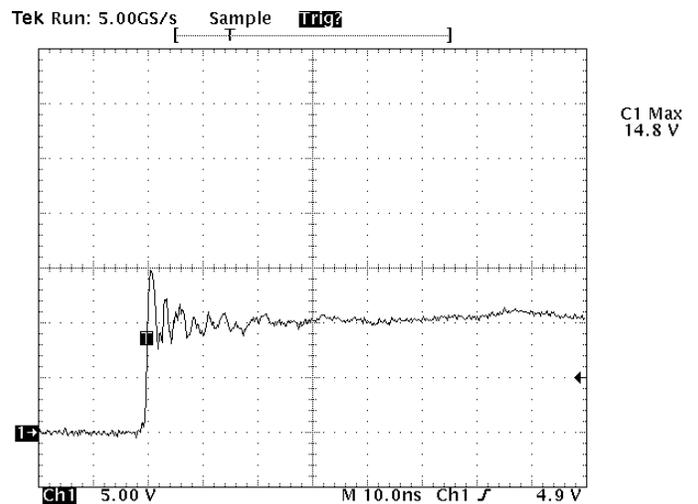


**ESD Clamping (Pin 3, 4, 5, or 6 to GND)
(+8kV Contact per IEC 61000-4-2)**



Note: Data is taken with a 10x attenuator

**ESD Clamping (Pin 1 to GND)
(+8kV Contact per IEC 61000-4-2)**



Note: Data is taken with a 10x attenuator

PROTECTION PRODUCTS

Applications Information

Device Connection and Layout Options for Protecting One USB Port

The RClamp3655P is optimized for use on systems that utilize the uUSB interface with an additional FM radio pin. Low capacitance protection is provided for the USB data (DM, DP), USB ID, and FM radio pins. The maximum capacitance on these lines is <math><1\text{pF}</math> for maximum signal integrity. USB Data, FM radio, and ID lines are connected at pins 3, 4, 5, and 6. These inputs are referenced to an internal 5 volt TVS protection device. When the voltage on these lines exceed 5 volts, the TVS will conduct. Pin 1 is connected to the USB voltage bus (VBus). This device will conduct when the voltage on the bus exceeds 28 volts. Note that there is no internal connection to the VBat pin. Multiple micro vias connected to ground are recommended for best ESD performance. This will reduce parasitic inductance in the ground path and minimize the clamping voltage seen by the protected device. The package is designed for easy trace routing as shown in the Figure 2 examples. The top example is preferred as it utilizes an extended ground connection using multiple micro vias. Note that it is not necessary to connect both ground pins of the device as both are connected internally. In this example, the VBat pin is routed on a separate layer. The VBus pin is connected to the voltage layer of the PCB with a micro via. If connection to the VBat pin is required, the bottom layout can be used. This example utilizes one via to ground due to space constraints.

Figure 1- Pin Configuration

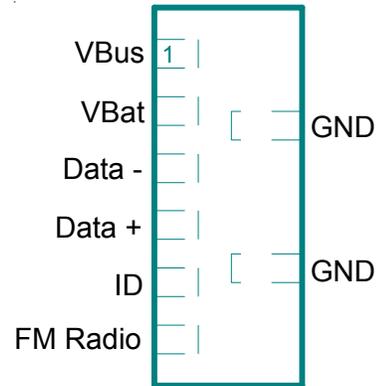
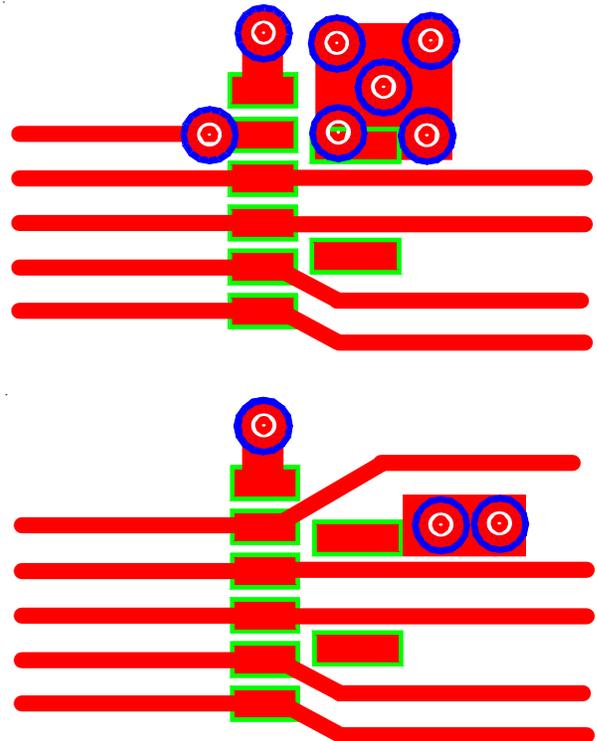
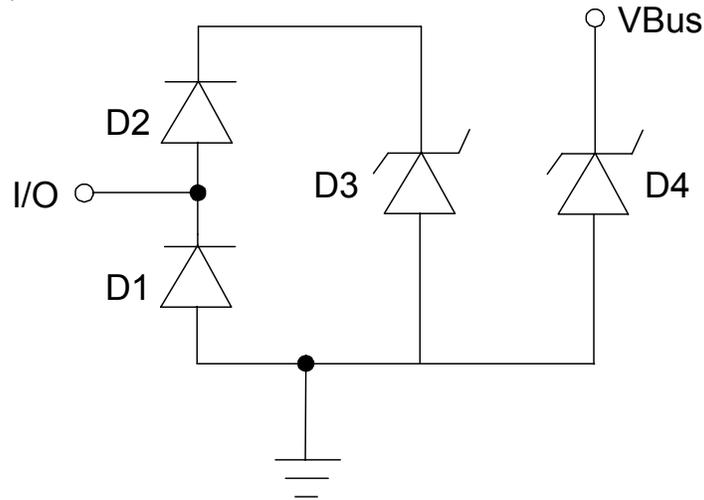


Figure 2 - Layout Examples

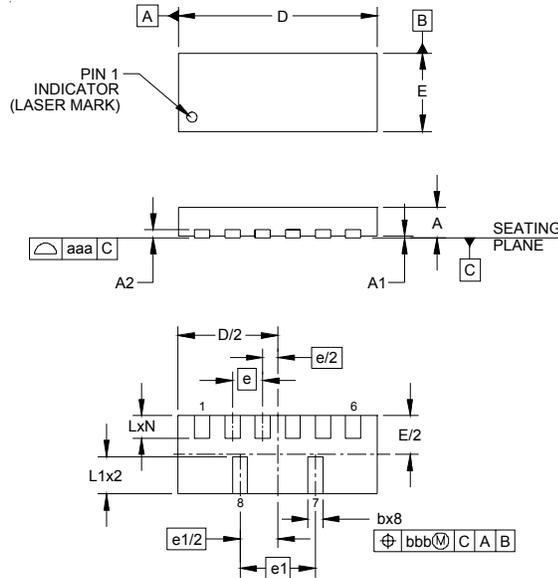


PROTECTION PRODUCTS
Applications Information - Spice Model

RClamp3655P Spice Model

RClamp3655P Spice Parameters					
Parameter	Unit	D1	D2	D3	D4
IS	Amp	1E-20	1E-20	2E-12	2.93E-12
BV	Volt	100	100	8.2	35
VJ	Volt	0.83	0.83	0.6	0.64
RS	Ohm	1.5	0.6	0.2	4.13
IBV	Amp	1E-3	1E-3	1E-3	1E-3
CJO	Farad	0.25E-12	0.25E-12	56E-12	25E-12
TT	sec	2.541E-9	2.541E-9	2.541E-9	2.541E-9
M	--	0.01	0.01	0.23	0.32
N	--	1.1	1.1	1.1	1.1
EG	eV	1.11	1.11	1.11	1.11

PROTECTION PRODUCTS

Outline Drawing - SLP3313P6

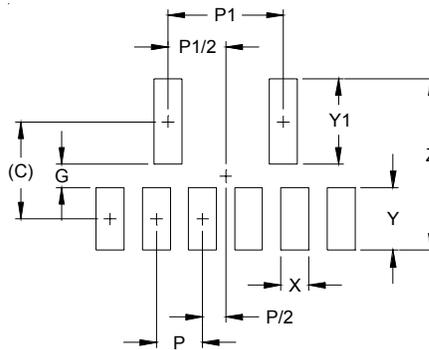


DIMENSIONS		
DIM	MILLIMETERS	
	MIN	NOM/MAX
A	0.45	0.50 / 0.55
A1	0.00	0.02 / 0.05
A2		(0.13)
b	0.20	0.25 / 0.30
D	3.25	3.30 / 3.38
E	1.25	1.30 / 1.38
e		0.50 BSC
e1		1.25 BSC
L	0.30	0.38 / 0.43
L1	0.54	0.62 / 0.67
N		6
aaa		0.08
bbb		0.10

NOTES:

1. CONTROLLING DIMENSIONS ARE IN MILLIMETERS (ANGLES IN DEGREES).
2. COPLANARITY APPLIES TO THE EXPOSED PAD AS WELL AS THE TERMINALS.

Land Pattern - SLP3313P6



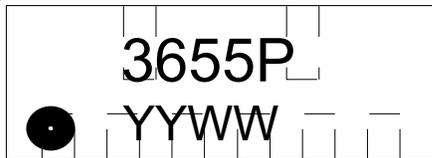
DIMENSIONS	
DIM	MILLIMETERS
C	(1.05)
G	0.25
P	0.50
P1	1.25
X	0.30
Y	0.68
Y1	0.92
Z	1.85

NOTES:

1. CONTROLLING DIMENSIONS ARE IN MILLIMETERS (ANGLES IN DEGREES).
2. THIS LAND PATTERN IS FOR REFERENCE PURPOSES ONLY. CONSULT YOUR MANUFACTURING GROUP TO ENSURE YOUR COMPANY'S MANUFACTURING GUIDELINES ARE MET.

PROTECTION PRODUCTS

Marking



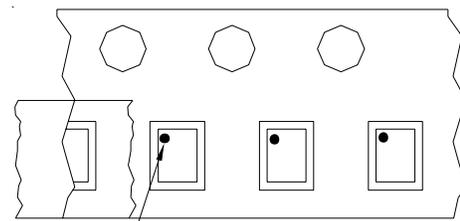
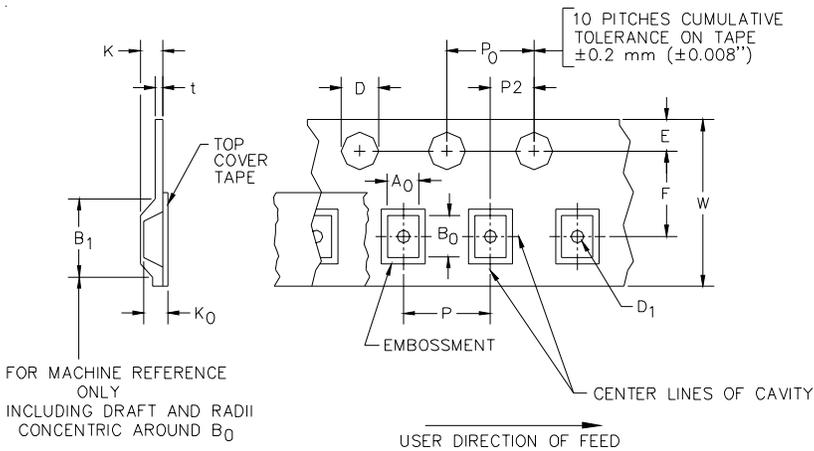
Ordering Information

Part Number	Lead Finish	Qty per Reel	Reel Size
RClamp3655P.TCT	Pb Free	3,000	7 Inch

RailClamp and RClamp are marks of Semtech Corporation

YYWW = Date Code

Tape and Reel Specification



Pin 1 Location

User Direction of feed

Device Orientation in Tape

Pin 1 in upper left towards sprocket holes

A0	B0	K0
1.51 +/-0.10 mm	3.51 +/-0.10 mm	0.66 +/-0.10 mm

Tape Width	B, (Max)	D	D1	E	F	K (MAX)	P	P0	P2	T(MAX)	W
8 mm	4.2 mm	1.5 + 0.1 mm - 0.0 mm)	0.5 mm ±0.05	1.750±.10 mm	3.5±0.05 mm	2.4 mm	4.0±0.1 mm	4.0±0.1 mm	2.0±0.05 mm	0.4 mm	8.0 mm + 0.3 mm - 0.1 mm

Contact Information

Semtech Corporation
 Protection Products Division
 200 Flynn Rd., Camarillo, CA 93012
 Phone: (805)498-2111 FAX (805)498-3804

X-ON Electronics

Largest Supplier of Electrical and Electronic Components

Click to view similar products for [ESD Suppressors / TVS Diodes](#) category:

Click to view products by [Semtech](#) manufacturer:

Other Similar products are found below :

[60KS200C](#) [D12V0H1U2WS-7](#) [D18V0L1B2LP-7B](#) [82356050220](#) [D5V0M5U6V-7](#) [NTE4902](#) [P4KE27CA](#) [P6KE11CA](#) [P6KE39CA-TP](#)
[P6KE8.2A](#) [SA110CA](#) [SA60CA](#) [SA64CA](#) [SMBJ12CATR](#) [SMBJ8.0A](#) [SMLJ30CA-TP](#) [ESD101-B1-02ELS E6327](#) [ESD112-B1-02EL E6327](#)
[ESD119B1W01005E6327XTSA1](#) [ESD5V0L1B02VH6327XTSA1](#) [ESD7451N2T5G](#) [19180-510](#) [CPDT-5V0USP-HF](#) [3.0SMCJ33CA-F](#)
[3.0SMCJ36A-F](#) [HSPC16701B02TP](#) [D3V3Q1B2DLP3-7](#) [D55V0M1B2WS-7](#) [DESD5V0U1BL-7B](#) [DRTR5V0U4SL-7](#) [SCM1293A-04SO](#)
[ESD200-B1-CSP0201 E6327](#) [ESD203-B1-02EL E6327](#) [SM12-7](#) [SMF8.0A-TP](#) [SMLJ45CA-TP](#) [CEN955 W/DATA](#) [82350120560](#)
[82356240030](#) [VESD12A1A-HD1-GS08](#) [CPDUR5V0R-HF](#) [CPDUR24V-HF](#) [CPDQC5V0U-HF](#) [CPDQC5V0USP-HF](#) [CPDQC5V0-HF](#)
[D1213A-01LP4-7B](#) [D1213A-02WL-7](#) [ESDLIN1524BJ-HQ](#) [5KP100A](#) [5KP15A](#)