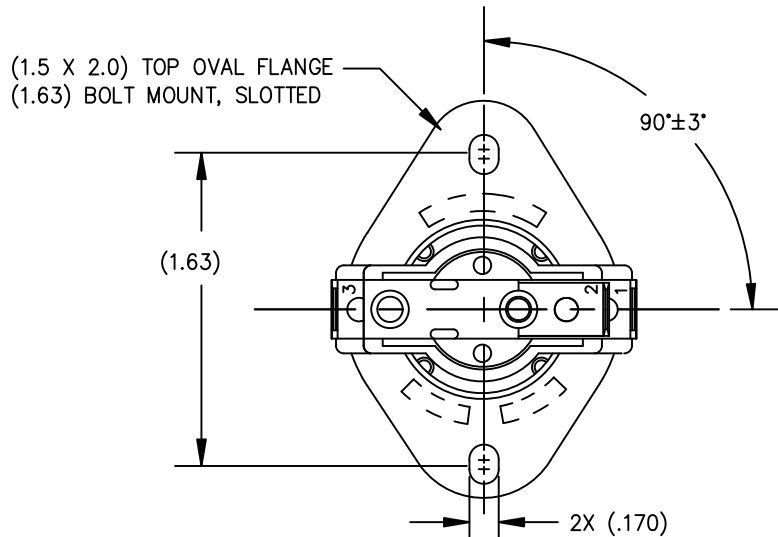


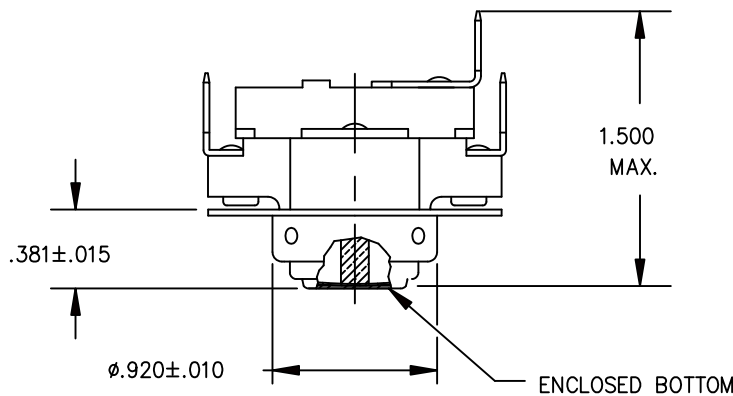
REV.	REVISION DESCRIPTION	ECN NO.	DATE
A	INITIAL RELEASE FOR PRODUCTION; GML	ECO-052432	05-MAR-2010

TEMPERATURE RANGE..... 300°F MAX.  
ELECTRICAL RATING.....(1 & 3) 120VAC - 25A RES, 10 FLA, 60 LRA, 125VA  
240VAC - 25A RES, 5 FLA, 30 LRA, 125VA  
ELECTRICAL RATING.....(1 & 2) 120VAC - 10A RES, 5.8 FLA, 34.8 LRA, 125VA  
240VAC - 5A RES, 2.9 FLA, 17.4 LRA, 125VA  
LIFE AT RATED LOAD.....100,000 CYCLES  
DIELECTRIC STRENGTH..... 1554 VRMS TERMINALS TO MOUNTING  
UL RECOGNIZED..... FILE E9977, GUIDE XAPX2, FILE MP986, GUIDE MBPR2  
UL RECOGNIZED FOR CANADA....FILE E9977, GUIDE XAPX8, FILE MP986, GUIDE MBPR8

OPERATING TEMPERATURE:
OPEN TEMP. 194° F ±5°
CLOSE TEMP. 156° F ±6°
TEMP. CODE L194-3.8



NOTE:  
PART TO BE CODED WITH:  
SENSATA P/N  
TEMP. CODE  
DATE CODE



**KLIXON**  
®  
CONTROL PRODUCTS  
DIVISION

FOR REFERENCE ONLY, CHECK LATEST REVISION BEFORE USE.  
PARTS MADE TO THIS PRINT MUST CONFORM TO E9898 REV. E

DRAWN  
G.LAPATI  
DATE 05-MAR-2010

ENGINEER  
A.AMORE  
DATE 05-MAR-2010

APPROVED  
K.SULLIVAN  
DATE 05-MAR-2010

APPROVED  
B.DAGUE  
DATE 05-MAR-2010

SENSATA TECHNOLOGIES PROPRIETARY AND CONFIDENTIAL. NEITHER THIS PRINT NOR THE INFORMATION CONTAINED HEREON IS TO BE USED AGAINST THE INTERESTS OF SENSATA TECHNOLOGIES OR AGAINST THE INTERESTS OF ANY OF ITS AFFILIATED COMPANIES OR WHOLLY OWNED SUBSIDIARIES.

INTERPRET DIMENSIONING AND TOLERANCING PER ASME Y14.5-2009. UNLESS OTHERWISE SPECIFIED DIMENSIONS ARE IN INCHES.  
TOLERANCES  
DECIMALS                      ANGLES

DO NOT  
SCALE  
DRAWING

THIRD ANGLE  
PROJECTION

529 PLEASANT STREET  
P.O. BOX 2964  
ATTLEBORO, MA 02703

TITLE			
3/4" S.P.D.T. AUTO RESET THERMOSTAT			
SIZE	DWG NO.	REV.	
A	20600D123-330	A	
SCALE	NA	AUTOCAD	SHEET 1 OF 1

## X-ON Electronics

Largest Supplier of Electrical and Electronic Components

*Click to view similar products for [Thermostats](#) category:*

*Click to view products by [Sensata](#) manufacturer:*

Other Similar products are found below :

[66F060-0099](#) [66F060-0396](#) [66L085-0477](#) [67F080-0356](#) [67L060-0368](#) [67L080-0038](#) [77877-00](#) [A1014005](#) [ASP200-22](#) [1831436](#) [1F78-151CB](#) [1NT08L-7399](#) [O54EAB240B-215Y](#) [C53GAB101A-081A](#) [22636-00](#) [2450 00210626](#) [2450 00880010](#) [2450CM 80020691](#) [2450RC 79080002](#) [2455R--01000844](#) [2455R 80580176](#) [2455R--90820376](#) [2455R--90820597](#) [2455RA-94170955](#) [2455RC-00980620](#) [2455RCG81170352](#) [2455RM03090005](#) [2455RM 80820736](#) [2455RM-90980499](#) [2455RP-91000430](#) [2455RP-91000433](#) [2455RP-91000436](#) [2455RP-91000442](#) [300004500021](#) [300004520005](#) [300004530001](#) [300005510137](#) [300005510148](#) [3000-46-29](#) [300100140436](#) [300100240216](#) [300100630004](#) [3001 00830006](#) [A1006505](#) [A1011005](#) [2450 06180001](#) [2450G 83950014](#) [2450RC-90820307](#) [2455R--00030829](#) [2455R--01000140](#)