

4

3

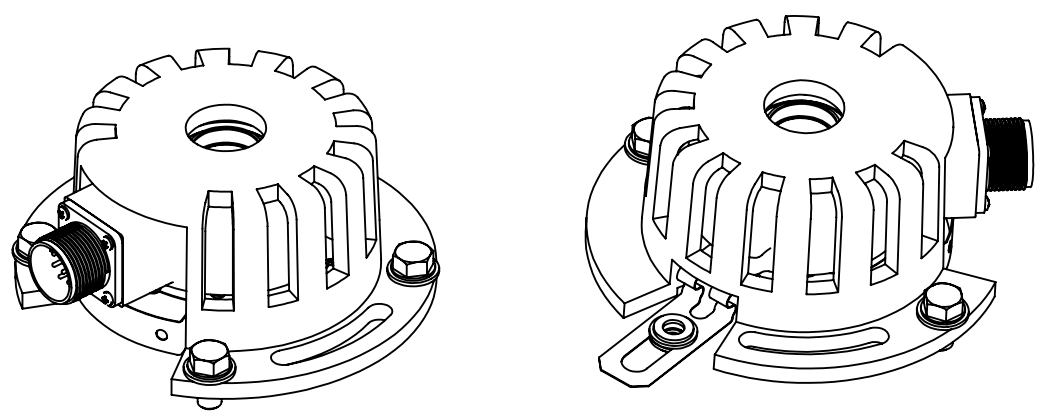
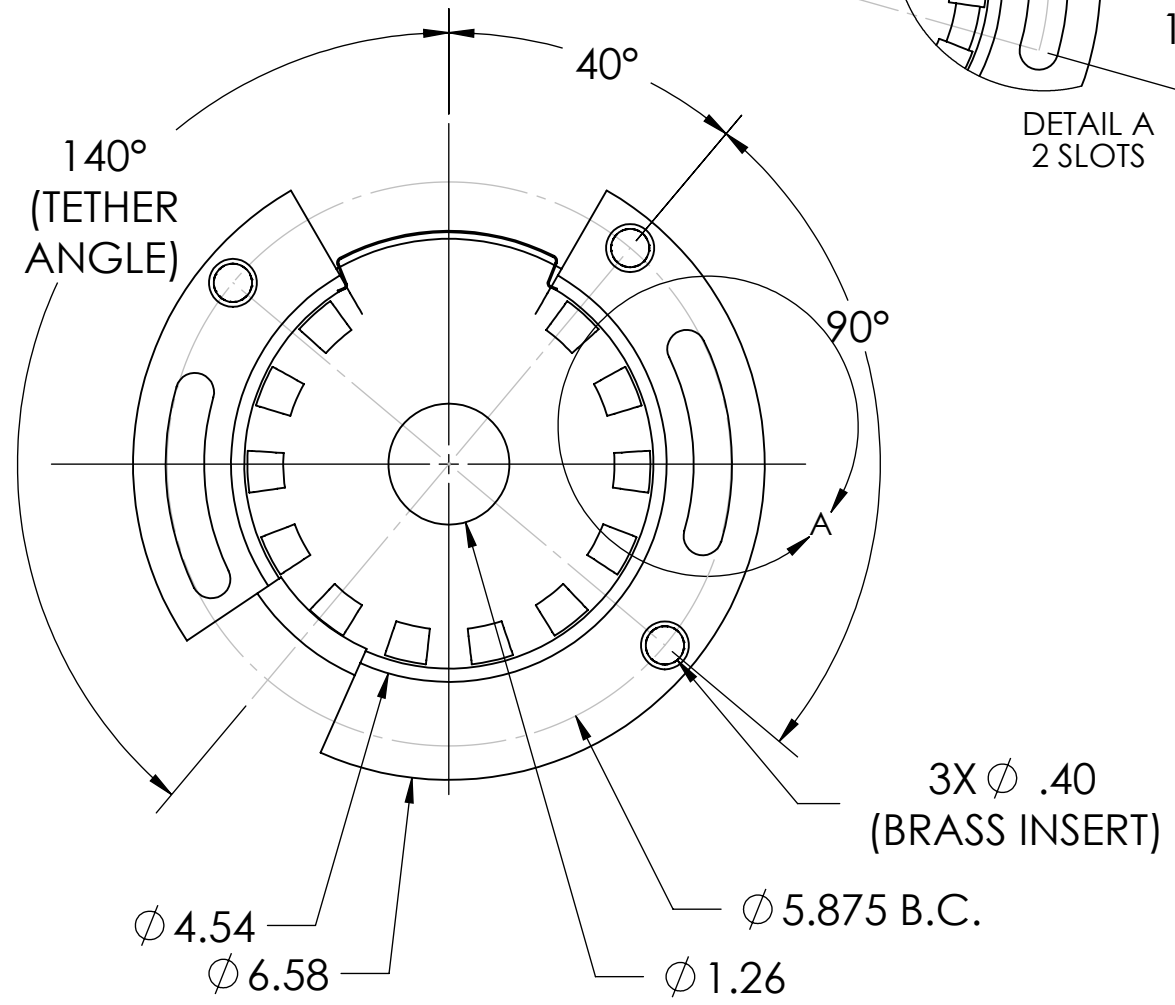
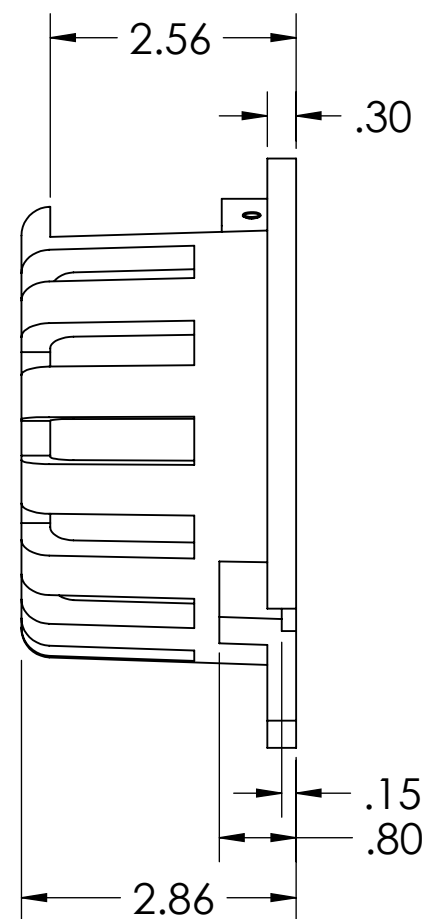
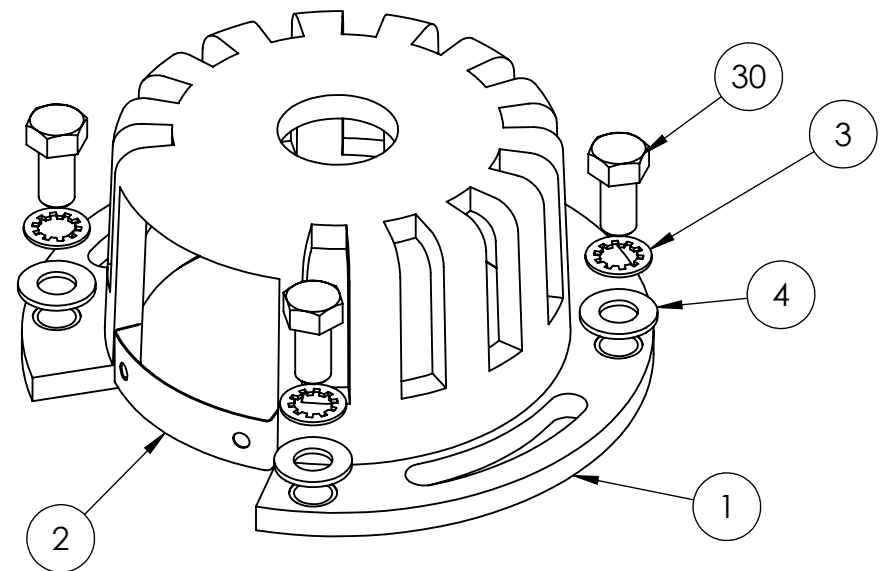
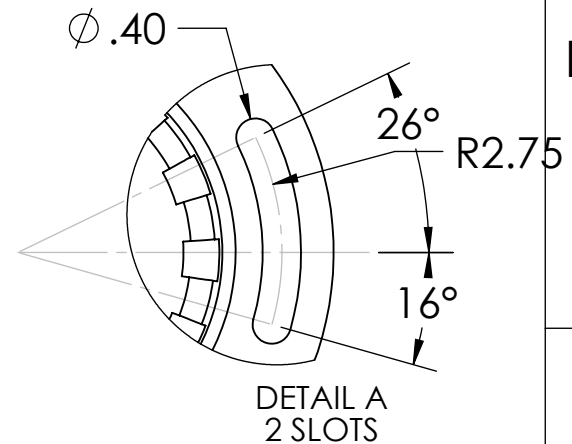
2

1

ITEM NO.	PART NO.	DESCRIPTION	26068-003	26068-001
			QTY	QTY
1	23145-001	PROTECTIVE COVER, HS25 & HS35	1	1
2	38521-001	IP50 CLIP	1	1
3	33032-001	WASHER, LOCK, INT., 3/8	0	3
4	MS15795-814	WASHER, FLAT, 3/8	0	3
5	330HHCS3/8163/4	HEX HEAD CAP SCREW, 3/8-16X7.5	0	3

ZONE	REV.	REVISION DESCRIPTION	ECN NO.	DATE

NOTES (UNLESS OTHERWISE INDICATED)
 1. FOR USE WITH HS35 OR HS25 ENCODER
 2. FITS NEMA 56C MOTOR FACE (MALE)



4

3

2

1

UNCONTROLLED COPY		BEI SENSORS 1461 LAWRENCE DRIVE THOUSAND OAKS, CA 93120		
FIRST ISSUE DATE: 04/09/19	SENSATA TECHNOLOGIES PROPRIETARY AND CONFIDENTIAL. NEITHER THIS PRINT NOR THE INFORMATION CONTAINED HEREON IS TO BE USED AGAINST THE INTERESTS OF SENSATA TECHNOLOGIES OR AGAINST THE INTERESTS OF ANY OF ITS AFFILIATED COMPANIES OR WHOLLY OWNED SUBSIDIARIES.	TITLE PROTECTIVE COVER KIT FOR HS25 AND HS35 ENCODERS		
DRAWN: MFB		INTERPRET DIMENSIONING AND TOLERANCING PER ASME Y14.5-2009. UNLESS OTHERWISE SPECIFIED DIMENSIONS ARE IN INCHES [MILLIMETERS] AND ARE INTENDED AS NOMINAL SEE PRODUCT SPECIFICATIONS FOR MORE DETAILS.	SIZE B	DWG NO. 09909-001
APPROVED: DRC			SCALE 1:2	SOLIDWORKS
DATE: 04/09/19	DO NOT SCALE DRAWING	THIRD ANGLE PROJECTION	SHEET 1 OF 1	
ECN:		DEVICE:	PROJECT:	
DATE:				
MATERIAL:				

D

D

C

C

B

B

A

A

X-ON Electronics

Largest Supplier of Electrical and Electronic Components

Click to view similar products for [Sensor Fixings & Accessories](#) category:

Click to view products by [Sensata](#) manufacturer:

Other Similar products are found below :

[F03-01 SUS304 BINIL](#) [8000-5130](#) [FH-AP1](#) [PH-1-10M](#) [PH-1-20M](#) [PH-2-30M](#) [AC201](#) [R4](#) [ADI-LC3S](#) [E39-L149](#) [EC18-WELL](#) [PC-15015](#)
[K35-4](#) [A-1923](#) [SS-12143](#) [STA12](#) [AP4-T](#) [PH-1-50M](#) [R6](#) [D01051301](#) [43912557-020](#) [MF-1 D=3.2](#) [BGN-035](#) [E39-L7](#) [ZX-SB11](#) [D01070602](#)
[606072](#) [606075](#) [Y92ES12PVC4A10ML](#) [Y92ES12PVC4S5ML](#) [SA9Z-F11](#) [Z49-SF1](#) [ZFV-XMF2](#) [E4R-R12A-CS3M010](#) [ZX-SW11E V3](#)
[CCS-PL-LDR2-70](#) [E4R-R12A-CS3M020](#) [BS-1T CHITAN](#) [F03-01 CHITAN](#) [CCS-PD2-1012](#) [PH-2-90M](#) [PH-2-5M](#) [XMLZL008](#) [AC244](#)
[28810-1](#) [PH-1-40M](#) [SS-12225](#) [32043-500](#) [81532111](#) [PH-2-60M](#)