

4

3

2

1

ZONE	REV.	REVISION DESCRIPTION	ECN NO.	DATE

D

D

C

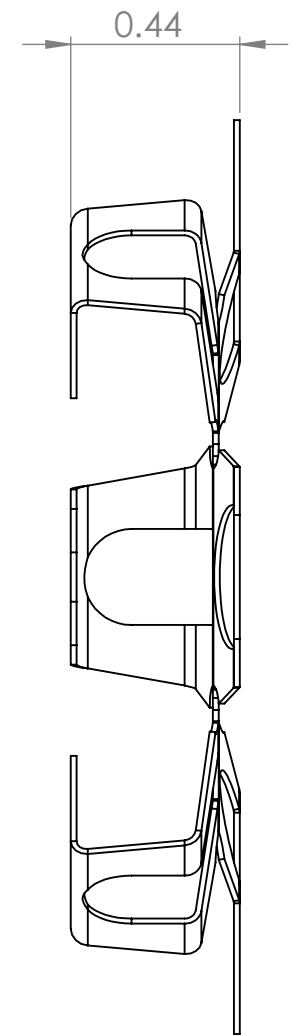
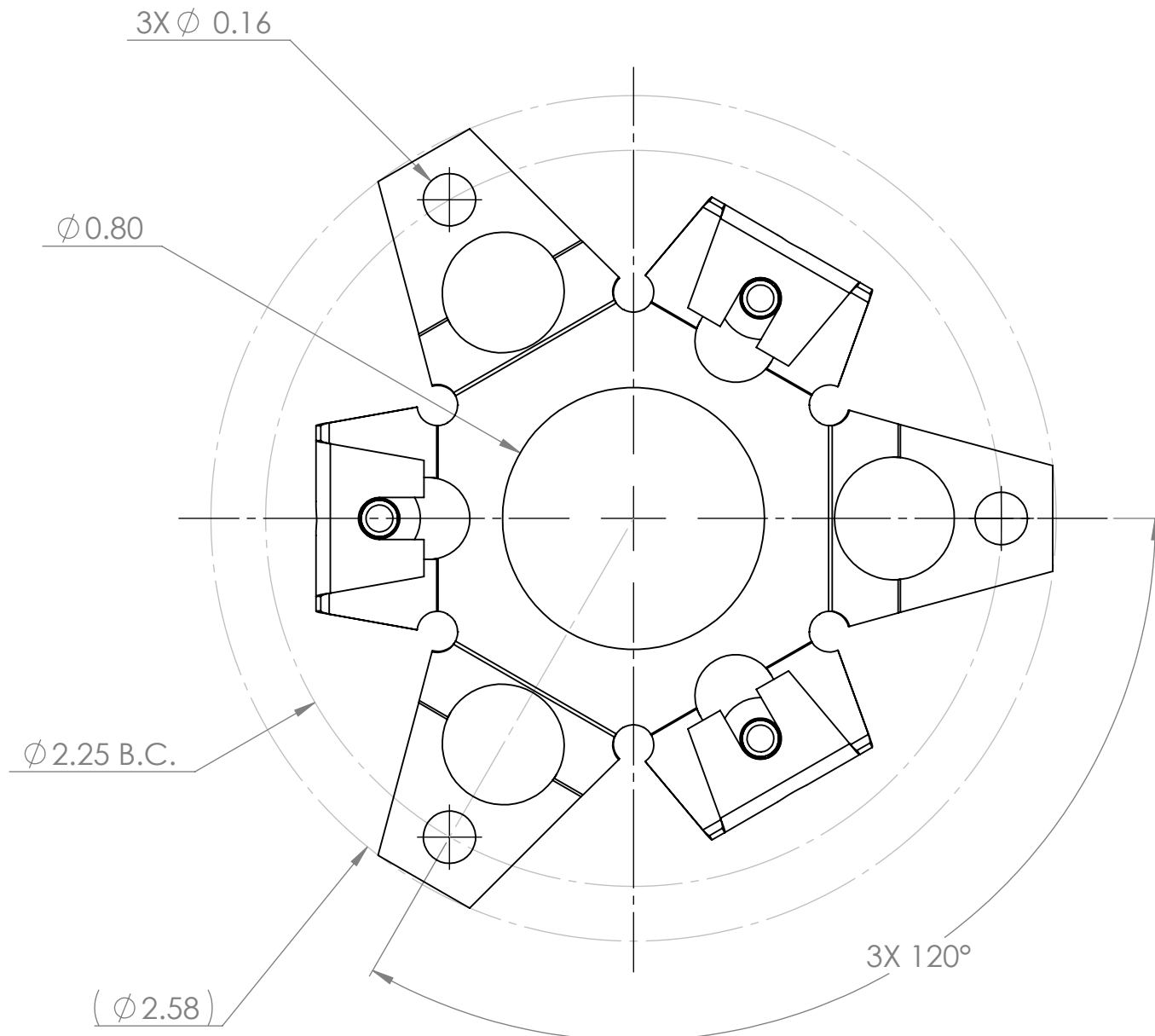
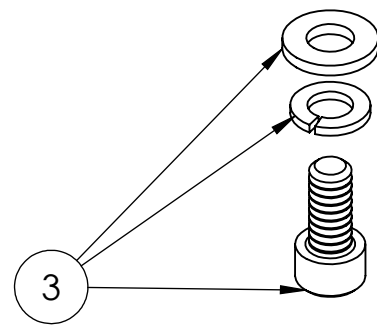
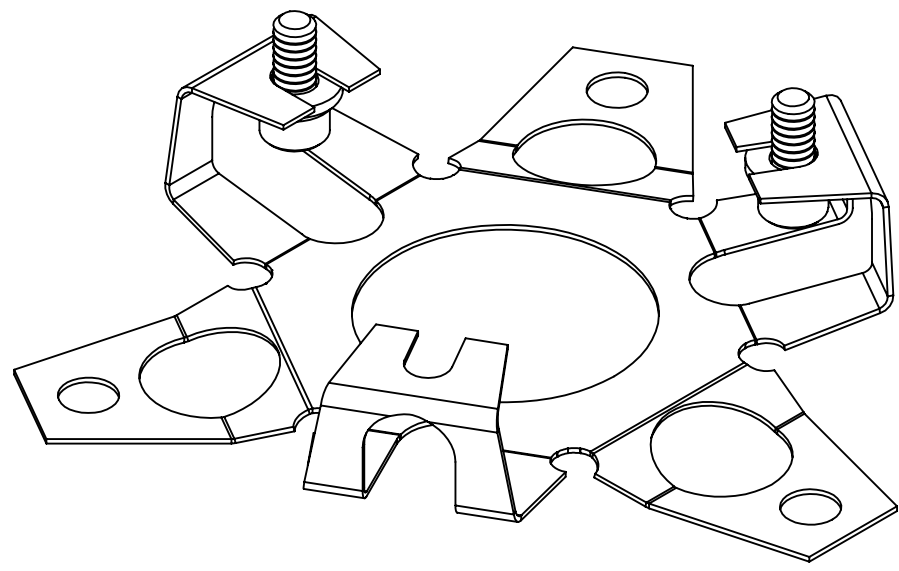
C

B

B

A

A



FLEXMOUNT KIT P/N 31134-001

NOTES (UNLESS OTHERWISE INDICATED):

- USE WITH MODEL H20 HUB SHAFT (HBS) OR MODEL HS20 HOLLOW SHAFT ENCODERS
- FITS F28 FACEMOUNT (3X #4-40 UNC-2B ON 2.250 B.C.)
- 3X #4-40 SOCKET CAP SCREWS, #4 FLAT WASHERS, & #4 LOCK WASHERS, INCLUDED

UNCONTROLLED COPY

FIRST ISSUE DATE: 11/01/18
 DRAWN: DRC
 APPROVED:
 DATE: XX/XX/XX
 ECN:
 DATE:

SENSATA TECHNOLOGIES PROPRIETARY AND CONFIDENTIAL. NEITHER THIS PRINT NOR THE INFORMATION CONTAINED HEREON IS TO BE USED AGAINST THE INTERESTS OF SENSATA TECHNOLOGIES OR AGAINST THE INTERESTS OF ANY OF ITS AFFILIATED COMPANIES OR WHOLLY OWNED SUBSIDIARIES.

INTERPRET DIMENSIONING AND TOLERANCING PER ASME Y14.5-2009. UNLESS OTHERWISE SPECIFIED DIMENSIONS ARE IN INCHES [MILLIMETERS] AND ARE INTENDED AS NOMINAL SEE PRODUCT SPECIFICATIONS FOR MORE DETAILS.

MATERIAL:
 303/304 HALF HARD S.S.

DO NOT SCALE DRAWING
 THIRD ANGLE PROJECTION

BEI SENSORS
 1461 LAWRENCE DRIVE
 THOUSAND OAKS, CA 93120

TITLE
**FLEXMOUNT KIT,
 MODELS H20 &
 HS20**

SIZE	DWG NO.	REV.
B	09903-001	A

SCALE 2:1 SOLIDWORKS SHEET 1 OF 1

4

3

2

1

DEVICE:

PROJECT:

X-ON Electronics

Largest Supplier of Electrical and Electronic Components

Click to view similar products for [Encoders](#) category:

Click to view products by [Sensata](#) manufacturer:

Other Similar products are found below :

[6-1393048-0](#) [6-1393048-5](#) [62AG22-H5-P](#) [62B22-LP-030C](#) [63K25](#) [63K32](#) [63KS100](#) [63KS64](#) [63R100](#) [63R50-020](#) [63RS256-060](#) [700-09-36](#)
[RE12D300-201-1](#) [1393047-3](#) [2-1393047-2](#) [T101-5C2-111-M1](#) [T101-5C3-111-M1](#) [T101-5C4-111-M1](#) [385001M0439](#) [385001M0216](#)
[V23401H1409B101](#) [V23401T8002B802](#) [V23401U6019B609](#) [E69-1](#) [E69DF10](#) [E69-FCA](#) [62B11-LP-100S](#) [62B11-LPP-040C](#) [62N11-P](#)
[62S22-H9-120S](#) [62S30-L0-200C](#) [62V15-02-080S](#) [63K64](#) [63KS100-040](#) [63R64-050](#) [63RS64](#) [700-16-16](#) [V23401D3002B301](#) [3-1393048-1](#)
[63KS128](#) [63KS256](#) [1-1879391-5](#) [GH65C11-N-SO](#) [62S15-M0-P](#) [1393047-1](#) [E69-FCA02](#) [E69-FCA04](#) [E69-DF20](#) [E69-DF2](#) [63R50](#)