

4

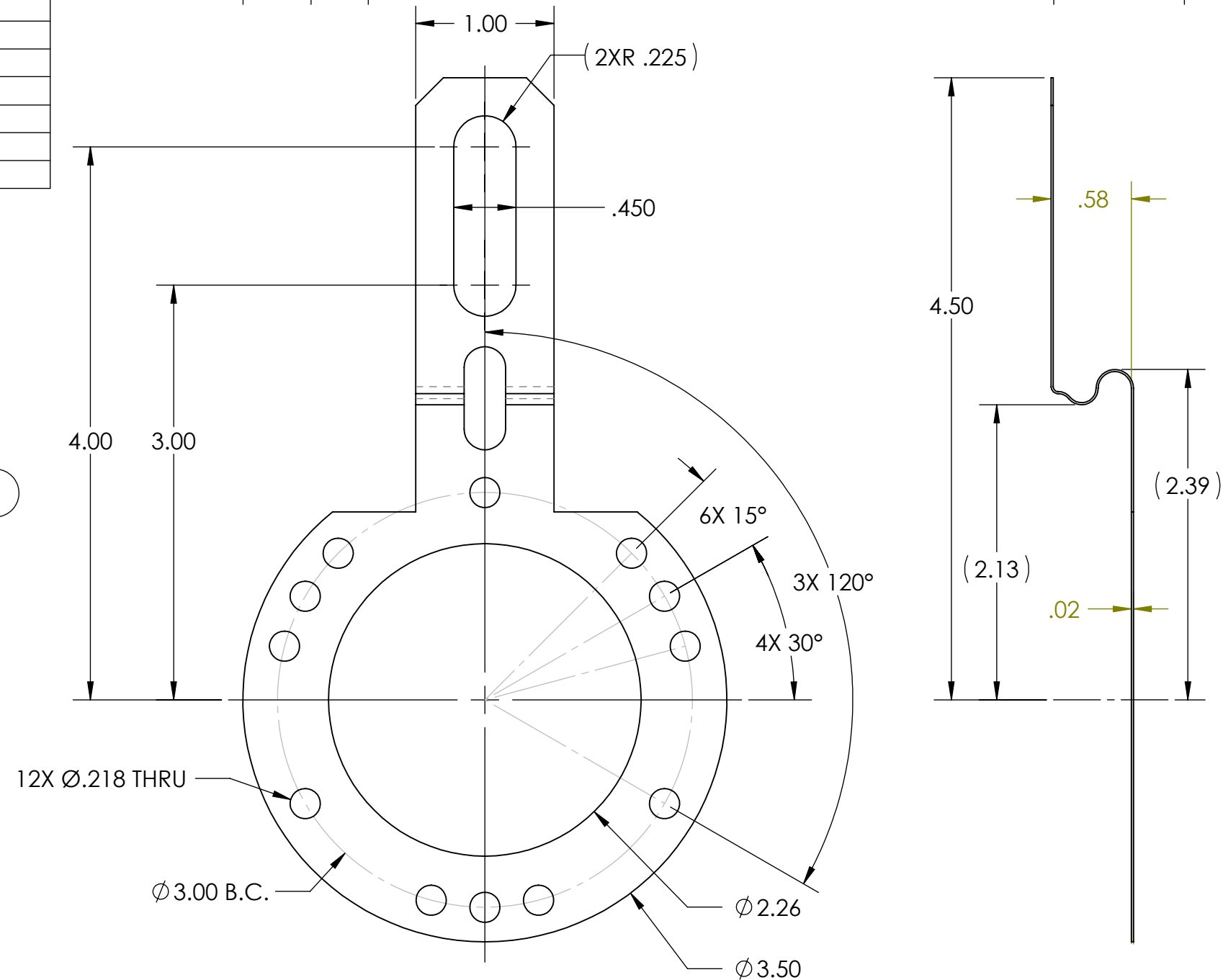
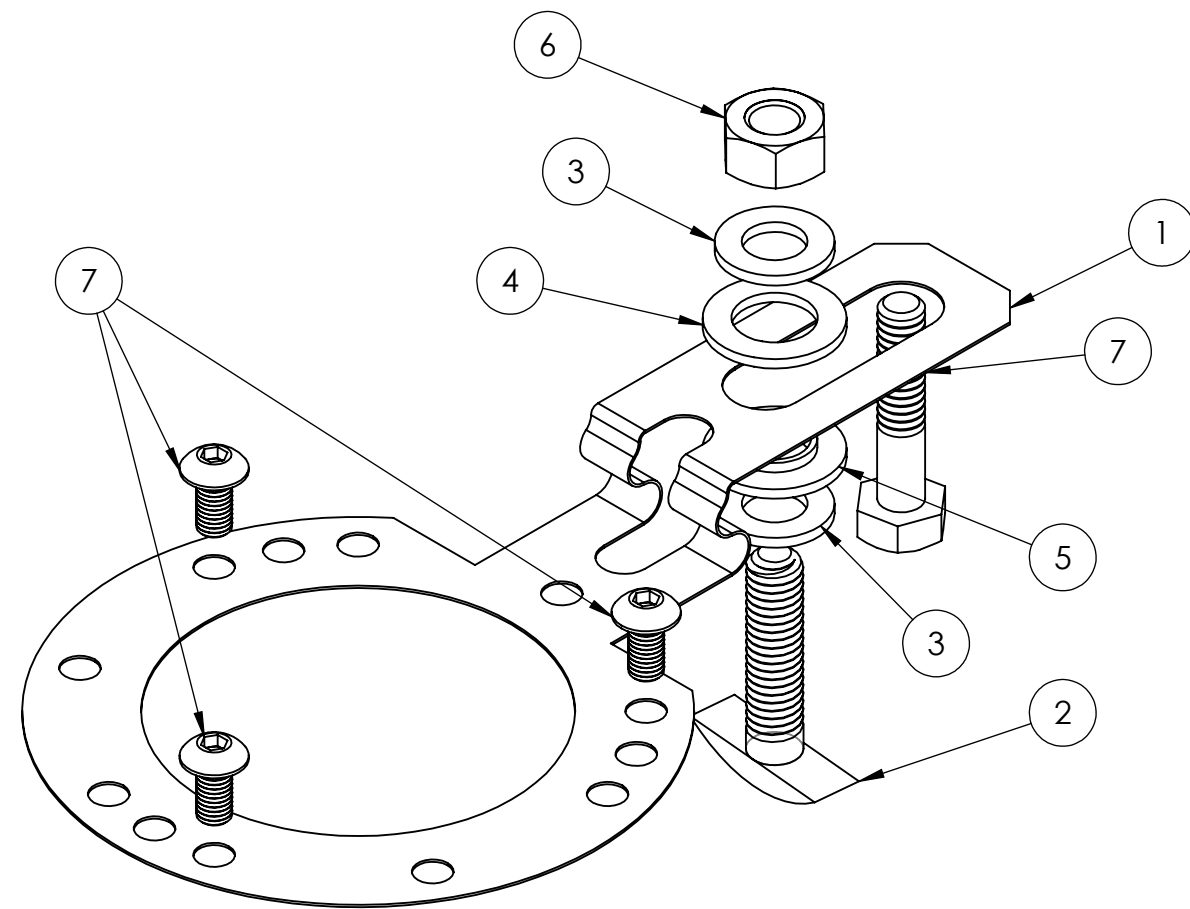
3

2

1


ITEM NO.	PART NO.	DESCRIPTION	QTY.
1	38334-007	TETHER ARM	1
2	33029-002	ZINC PLATED T-BOLT	1
3	MS15795-813	5/16 FLAT WASHER	2
4	25031-001	NYLON FLAT-WASHER	1
5	25030-006	NYLON SHOULDER WASHER	1
6	MS35690-510	5/16-18UNC HEX NUT	1
7	330BX-10323/8L	HEX SOCKET HEAD SCREW	3
8	330HHCS5/1611/4	HEX HEAD CAP SCREW	1

ZONE	REV.	REVISION DESCRIPTION	ECN NO.	DATE



ORDER P/N 31215-004

NOTE: THE TETHER ARM, NYLON WASHERS, FLAT WASHERS AND THREE #10-32 SCREWS WILL BE USED IN ALL INSTALLATIONS. EITHER THE T-BOLT OR THE HEX HEAD BOLT WILL BE USED WITH OR WITHOUT THE HEX NUT DEPENDING UPON THE INSTALLATION REQUIREMENTS.

<b>UNCONTROLLED COPY</b>		 BEI SENSORS 1461 LAWRENCE DRIVE THOUSAND OAKS, CA 93120	
FIRST ISSUE DATE: 04/19/19	SENSATA TECHNOLOGIES PROPRIETARY AND CONFIDENTIAL. NEITHER THIS PRINT NOR THE INFORMATION CONTAINED HEREON IS TO BE USED AGAINST THE INTERESTS OF SENSATA TECHNOLOGIES OR AGAINST THE INTERESTS OF ANY OF ITS AFFILIATED COMPANIES OR WHOLLY OWNED SUBSIDIARIES.	<b>TITLE</b> HS35 R2 TETHER ARM KIT	
DRAWN: DRC		INTERPRET DIMENSIONING AND TOLERANCING PER ASME Y14.5-2009. UNLESS OTHERWISE SPECIFIED DIMENSIONS ARE IN INCHES [MILLIMETERS] AND ARE INTENDED AS NOMINAL SEE PRODUCT SPECIFICATIONS FOR MORE DETAILS.	SIZE <b>B</b>
APPROVED: MFB	DO NOT SCALE DRAWING THIRD ANGLE PROJECTION	SCALE 1:2	SOLIDWORKS
DATE: 04/19/19		SHEET 1 OF 1	REV. .
ECN:			
DATE:			
MATERIAL: CRES STEEL; NYLON (INSULATOR WASHERS); HALF HARD 300 SERIES STAINLESS STEEL (TETHER ARM)			

4

3

2

1

DEVICE:

PROJECT:

## X-ON Electronics

Largest Supplier of Electrical and Electronic Components

*Click to view similar products for [Encoders](#) category:*

*Click to view products by [Sensata](#) manufacturer:*

Other Similar products are found below :

[6-1393048-0](#) [6-1393048-5](#) [62AG22-H5-P](#) [62B22-LP-030C](#) [63K25](#) [63K32](#) [63KS100](#) [63KS64](#) [63R100](#) [63R50-020](#) [63RS256-060](#) [700-09-36](#)  
[RE12D300-201-1](#) [1393047-3](#) [2-1393047-2](#) [T101-5C2-111-M1](#) [T101-5C3-111-M1](#) [T101-5C4-111-M1](#) [385001M0439](#) [385001M0216](#)  
[V23401H1409B101](#) [V23401T8002B802](#) [V23401U6019B609](#) [E69-1](#) [E69DF10](#) [E69-FCA](#) [62B11-LP-100S](#) [62B11-LPP-040C](#) [62N11-P](#)  
[62S22-H9-120S](#) [62S30-L0-200C](#) [62V15-02-080S](#) [63K64](#) [63KS100-040](#) [63R64-050](#) [63RS64](#) [700-16-16](#) [V23401D3002B301](#) [3-1393048-1](#)  
[63KS128](#) [63KS256](#) [1-1879391-5](#) [GH65C11-N-SO](#) [62S15-M0-P](#) [1393047-1](#) [E69-FCA02](#) [E69-FCA04](#) [E69-DF20](#) [E69-DF2](#) [63R50](#)