

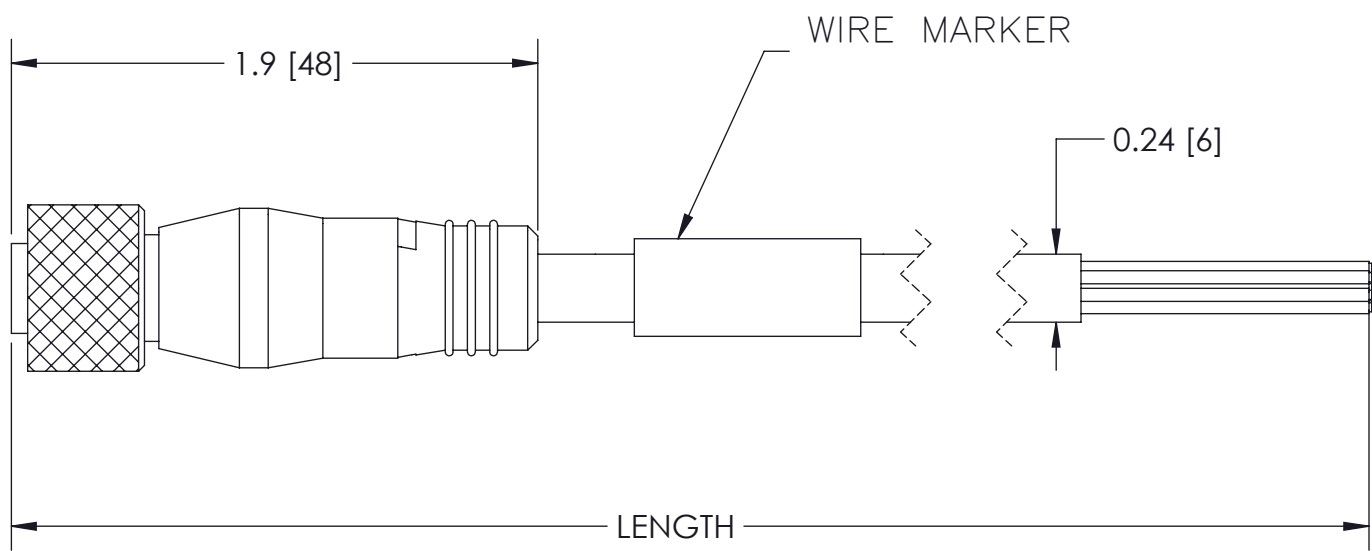
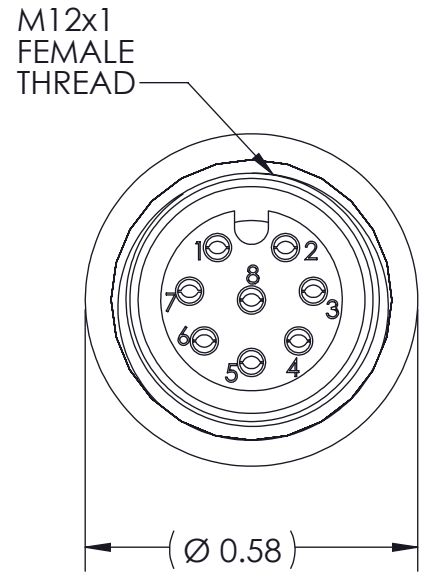
4

3

2

1


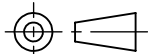
ZONE	REV.	REVISION DESCRIPTION	ECN NO.	DATE
	.	.	.	.



PIN NO.	COLOR
1	WHITE
3	GREEN
4	YELLOW
5	GRAY
6	PINK
8	RED
2	BROWN
7	BLUE
SHIELD	BARE

PART NO.	LENGTH
31320-K81M	1 METER
31320-K85M	5 METER
31320-K86M	6 METER
31320-K810M	10 METER

NOTES:  
 1. CABLE: 8 CONDUCTORS, 24 AWG, OVERALL SHIELD W/DRAIN WIRE, YELLOW POLYURETHANE JACKET  
 CONTACTS: GOLD PLATED COPPER ALLOY  
 SHELL: NICKEL PLATED BRASS  
 2. INTENDED FOR DIFFERENTIAL LINE DRIVER OUTPUT ENCODERS  
 3. RoHS 1,2 AND 3 COMPLIANT

<b>UNCONTROLLED COPY</b>		 BEI SENSORS 1461 LAWRENCE DRIVE THOUSAND OAKS, CA 93120	
FIRST ISSUE DATE: 06/25/19 DRAWN: DRC APPROVED: MFB DATE: 06/25/19	SENSATA TECHNOLOGIES PROPRIETARY AND CONFIDENTIAL. NEITHER THIS PRINT NOR THE INFORMATION CONTAINED HEREON IS TO BE USED AGAINST THE INTERESTS OF SENSATA TECHNOLOGIES OR AGAINST THE INTERESTS OF ANY OF ITS AFFILIATED COMPANIES OR WHOLLY OWNED SUBSIDIARIES.		TITLE <b>K8 CONNECTOR AND CABLE ASSEMBLY</b>
ECN: DATE: MATERIAL:	INTERPRET DIMENSIONING AND TOLERANCING PER ASME Y14.5-2009. UNLESS OTHERWISE SPECIFIED DIMENSIONS ARE IN INCHES[MILLIMETERS] AND ARE INTENDED AS NOMINAL SEE PRODUCT SPECIFICATIONS FOR MORE DETAILS.		SIZE <b>B</b>
DO NOT SCALE DRAWING	THIRD ANGLE PROJECTION		DWG NO. <b>09926-001</b>
SCALE 1:1		SOLIDWORKS	SHEET 1 OF 1

4

3

2

1

DEVICE: PROJECT:

## X-ON Electronics

Largest Supplier of Electrical and Electronic Components

*Click to view similar products for [Sensor Cables / Actuator Cables](#) category:*

*Click to view products by [Sensata](#) manufacturer:*

Other Similar products are found below :

[60963](#) [60964](#) [703000D02F2002](#) [703000D02F300](#) [703001D02F0602](#) [703001D02F1201](#) [703001D02F300](#) [704000D02F120](#) [773032K02F030](#)  
[802027107404-1](#) [802027213811-1](#) [804001A09M150](#) [805001A09M0502](#) [84914-0235](#) [84914-0237](#) [885030A09M020](#) [1200651332](#)  
[1200651713](#) [1200660844](#) [1200660845](#) [1200661173](#) [1200680071](#) [1200720053](#) [1200720081](#) [1200720099](#) [1200720217](#) [1200800231](#)  
[1200860125](#) [1200870123](#) [1200980102](#) [1200650267](#) [1200650298](#) [1200660183](#) [1200660782](#) [1200660849](#) [1200661295](#) [1200661297](#)  
[1200661342](#) [1200661343](#) [1200670080](#) [1200670220](#) [1200680331](#) [1200720252](#) [1200720255](#) [1200730184](#) [1200860344](#) [1200870359](#)  
[1200870643](#) [1200980008](#) [1200980031](#)