

The BEI 5320 Series offers a highly reliable rotary potentiometer sensor that can be easily integrated or re-packaged into a wide variety of existing and new applications. The new 5320 Series is ideally suited for tight packaging constraints while providing superior durability, long service life and repeatable accuracy. The sensor is fully sealed and impervious to contamination and moisture. A wide variety of standard and non-standard options are available including detent functions, electrical/mechanical angles, shaft/bushing sizes, lengths and configurations, resistance values, etc.

The 5320 Series standard termination offers gold plated through holes for direct soldering. Options are also available for custom termination methods by contacting Duncan Sales. The 5320 series sensors offer all of the advantages of a cost effective, traditional potentiometer while providing a rugged, compact, low-profile design to survive the harshest conditions.



5320 Series Features:

Extended Operating Life

1 million plus operational cycles

Fully Sealed Construction

Meets or exceeds IP66/IP67 standards

Extended Temperature Range

Operating: -40° to +125°C

Storage: -55° to +150°C

High Quality, Rugged Construction

Stainless Steel Shaft, Nickel Plated Brass Bushing
See Reverse for Additional Environmental Specifications

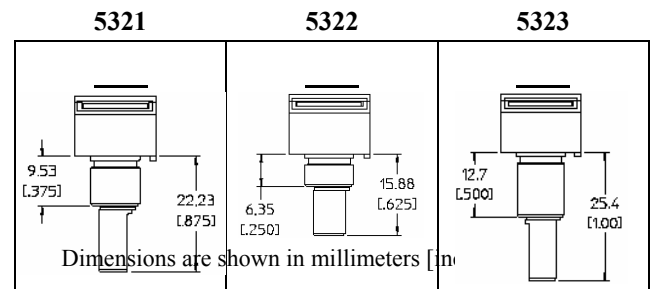
Wide Range of Configurations (see ordering info)

Shaft and Bushing Lengths
Linearity (accuracy) Tolerance Limits
With or Without Detent Function
Total Resistance

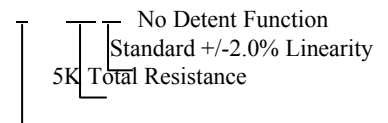
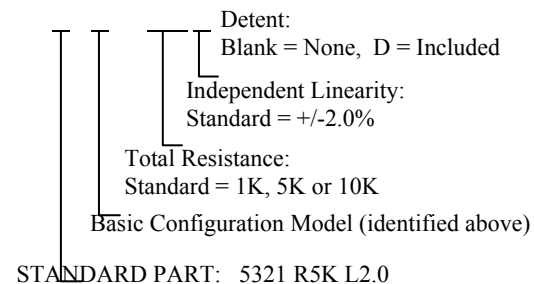
Custom Options Available (contact Duncan Sales)

Ordering Information:

Basic Configurations: Shaft & Bushing Lengths



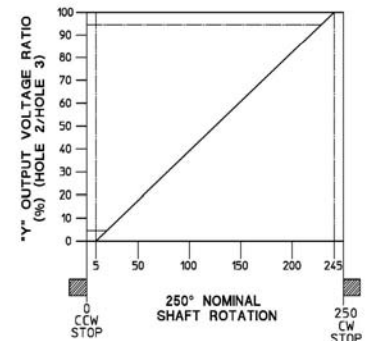
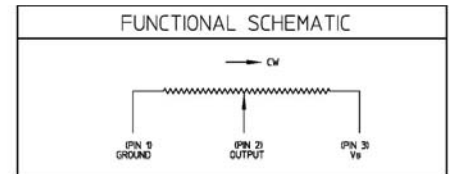
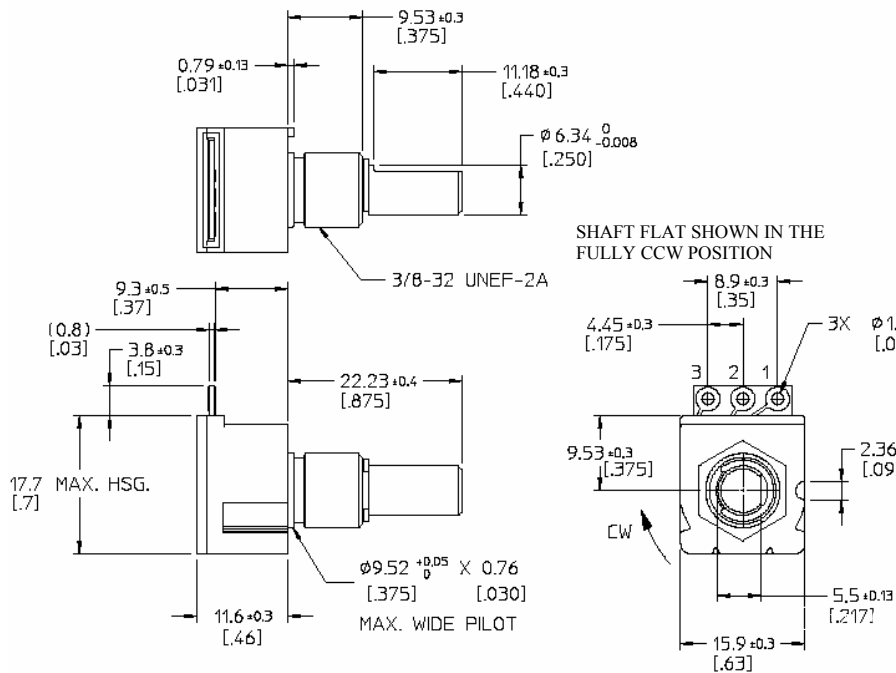
532X RXK LX.X X



Rotary Precision Position Sensor 5320 Series Panel Pot

Standard Sensor as Example

Dimensions are shown in millimeters [inches reference]



Mechanical Specifications

Total Travel (stop to stop):	250 degrees
Stop Strength:	1350 Nmm (190 in-oz)
Shaft Pull Out Strength:	200N (45lbs)
Shaft Operating Torque:	5-25 Nmm (0.7-3.5 in-oz)
Shaft Starting Torque:	35 Nmm (5 in-oz) Max.
Cycle Life:	1 Million cycles
Detent Life:	10,000 cycles
Detent Torque:	35-120 Nmm (5-17 in-oz)
Detent Release Position:	20 degrees Max.

Environmental Specifications

Moisure & Dust Resistant:	Sealed, IP66/IP67
Vibration:	15g, 10 to 2000 Hz
Shock:	30g
Temperature:	-40°C to +125°C operating -55° to +150°C storage
Salt Spray:	96 hours
Resistance to Solder Heat:	350°C (660°F) for 5 sec. (at termination points)

Electrical Specifications

Electrical Travel:	240 degrees
Active Electrical Travel:	216 degrees (5%-95%)
PowerRating at 70C:	0.25W (derating to 0 at 125C)
Resistance Tolerance:	±20%
Linearity, Independent:	±2% (Active)
RGV:	100% Max.
(Output Smoothness):	(0.2%) Max.

Materials

Shaft:	Stainless Steel
Bushing:	Nickel Plated Brass
Housing (Package):	Nylon 6 (Akulon)
PCB:	4101/21 (FR-4)

Specifications subject to change without notice. BE2023

BEI SENSORS

Tel: 805-968-0782 / 800-350-2727 | Fax: 805-968-3154 / 800-960-2726
7230 Hollister Ave., Goleta, CA 93117-2807 | www.beisensors.com

These commodities, technology or software if exported from the United States must be in accordance with the Bureau of Industry, and Security, Export Administration regulations. Diversion contrary to U.S law is prohibited.

X-ON Electronics

Largest Supplier of Electrical and Electronic Components

Click to view similar products for [Industrial Motion & Position Sensors](#) category:

Click to view products by [Sensata](#) manufacturer:

Other Similar products are found below :

[595002M9474](#) [01071901](#) [D02318603](#) [70U1N048S104U](#) [FE-41164](#) [G8652](#) [G8744](#) [GA1T040F103UA](#) [GA1T100F502UA-A](#)
[GA2E056P102UA](#) [GA2G140F252UA-A](#) [GA2T044S103UA-B](#) [GPS8627](#) [GS2T032F253BA](#) [GS4P048F503UC](#) [GS4T040F503UC](#) [GS8367B](#)
[GS8819](#) [9811405](#) [JA3G032P501UA-A](#) [KJ5-M18MB60-AZS](#) [27M226](#) [9810825](#) [9870706](#) [F07008036](#) [SPSN048P202U](#) [F65118112](#)
[GA2G042F103UA](#) [GA2M028S102MC](#) [GA2M028S502RA](#) [GA2T056F502UA](#) [GH8810](#) [25M921](#) [GS8368B](#) [CM47070](#) [CR121250](#) [31M573](#)
[380000M8643](#) [385500M9303](#) [388037M6962](#) [388281M9646](#) [388517025480039](#) [388580038670069](#) [388818078120022](#) [388860073800031](#)
[388C11M9548](#) [388C24160090003](#) [389504075810001](#) [389767001230861](#) [389A85084750001](#)