



The BEI Sensors 9360 Series rotary sensor is a non-contacting Hall effect device with up to 360° of rotation and dual outputs. This rugged design is ideally suited for continuous rotation applications where reliability and durability are a priority. The sensor provides absolute position at power on and offers two completely isolated outputs. The packaging is similar to other BEI devices and meets the severe durability requirements that are typical in off-highway and agriculture environments. This combination of magnet, sensor and sealed packaging offers excellent temperature stability and corrosion resistance. The sensor can be configured for Analog (voltage) or PWM output. These programmability features are configured at the factory and allow for greater flexibility in creating custom limited electrical angle outputs (i.e. ±20° degrees for full scale) with short turnaround times.

Fully sealed, (meeting and/or exceeding IP67 and IP69K standards) the 9360 is resistant to contamination and moisture. An integrally molded 6-pin Metri-Pack or Ampseal connector makes a sealed connection with industry standard mating connectors.

### Mechanical Specifications

**Range:** 0° to 360° with no stops/no spring, allowing for continuous rotations\*  
**Spring/Rotor Return Direction Options:** 0° to 180° with spring return options 1 & 2; 0° to 360° with no spring option 3 (other, custom limited angles ranges available)  
**Mounting:** 2 x 4.5mm Ø on 32mm centers  
**Shaft:** 6mm Ø with 4.6mm flat  
**Termination:** Metri-Pack or Ampseal  
**Housing:** Glass filled PBT (Polybutylene terephthalate)  
**Life:** 35 M cycles; 1 M cycles w/1kg side load  
**Frequency response:** 1 kHz minimum  
**Rotational torque:** 0.025 - 0.110 N-m  
**Weight:** 35 grams (approx.)

### Electrical Specifications

**Active Electrical Angle:** 15° to 360° in 15° increments (no spring option). 15° to 165° increments (spring option)  
**Input Voltage:** 5.0 V±0.25V DC  
**Overvoltage Protection:** 20V  
**Reverse Polarity Protection:** Yes  
**Short Circuit Protection:** 10VDC  
**Output Signal:** 5% to 95% Analog Ratiometric/ PWM\*  
**Resolution:** 12 Bit  
**Accuracy:** ±0.6% of full scale at room temperature ±0.9% of full scale over operating temperature range  
**EMC:** 100 V/m (14 kHz-1 GHz range)  
**ESD:** 8kV  
**Input current:** 18mA maximum per output 36mA maximum total (both channels)

### Environmental Specifications

**Sealing:** IP67 and IP69K per DIN 40050-9  
**Vibration:** 10G peak, 20 - 2,000 Hz  
**Humidity:** 95% RH @ 40° C  
**Liquid Exposure:** Salt water, cola, motor oil, ethylene glycol, paint, diesel fuel  
**RoHS:** Yes  
**Operating temperature range:** -40°C to +125°C  
**Storage temperature range:** -40°C to +125°C  
**Shock:** 50Gs, half sine pulse, 5 msec duration

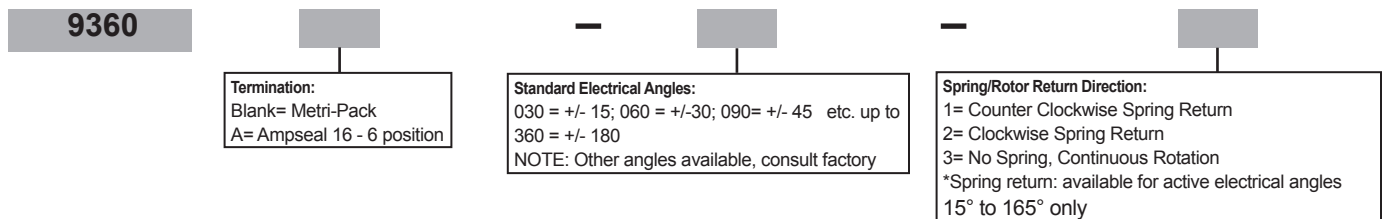
\*Different outputs and mechanical range(s) available

### Product Features

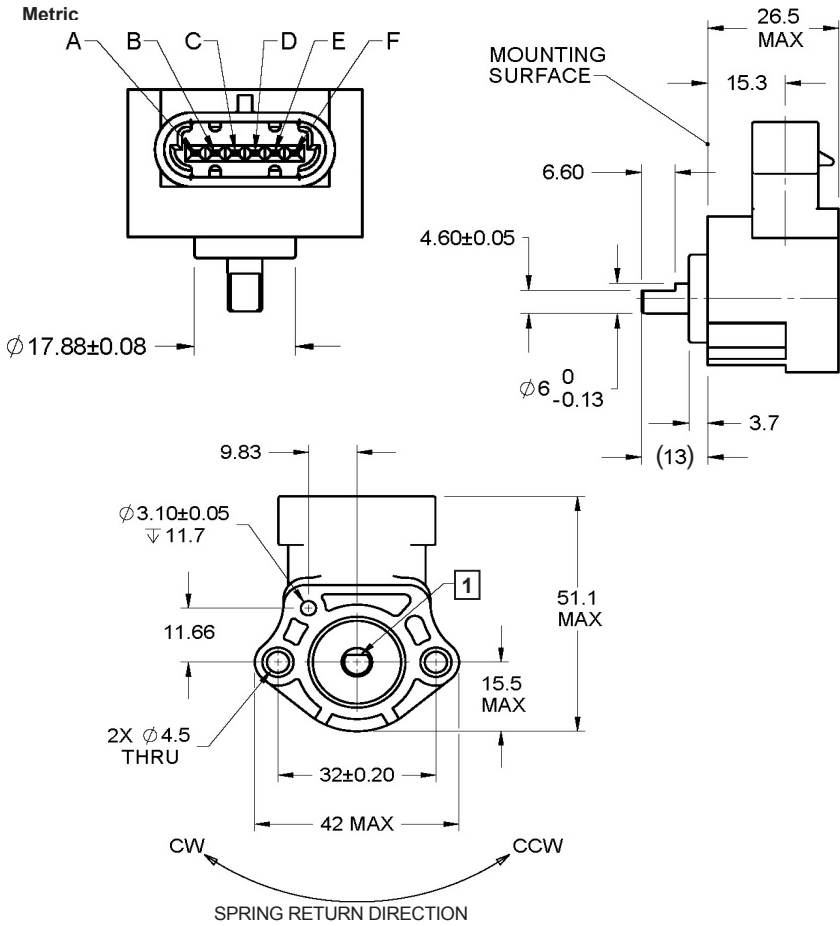
- **Fully programmable:** The standard sensor provides 15°-360° electrical degrees. Multiple outputs with limited electrical angles up to 360° and temperature compensation are also available
- **Compression molded Neodymium magnets:** Provide excellent temperature stability and corrosion resistance
- **Ratiometric analog output or PWM output:** Reduced sensitivity to voltage changes
- **Factory programming through connector:** Allows for quick turn-around on custom electrical angles
- **Sealed construction:** IP66 / IP67, 6-pin I/O interface to Packard Electric Metri-Pack Pull-to-Seat 150.2 Series P/N 12162261 or P/N 12162260 connector; Ampseal 16 - 6 position, P/N 776433-1 sealed receptacle housings 2-Row
- **Temperature range:** -40° to +125°C standard
- **Operating life:** 35M cycles; Over one million cycles at 1kg side load

### 9360 Series Ordering Options for assistance, call 800.350.2727

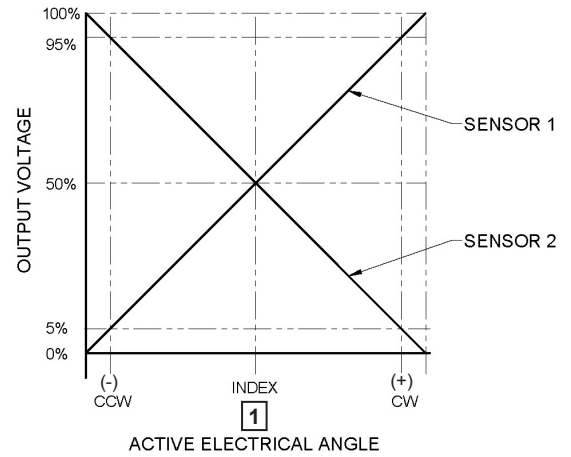
Use this diagram, working from left to right to construct your model number



### Dimensions- MetriPack connector (9360 Option)



### Output Examples



### Connector Pin Outputs

	METRI-PACK		AMPSEAL	
	SENSOR 1	SENSOR 2	SENSOR 1	SENSOR 2
Vs	F	B	F	BC
OUTPUT	C	D	E	B
GROUND	E	A	D	A

#### NOTES:

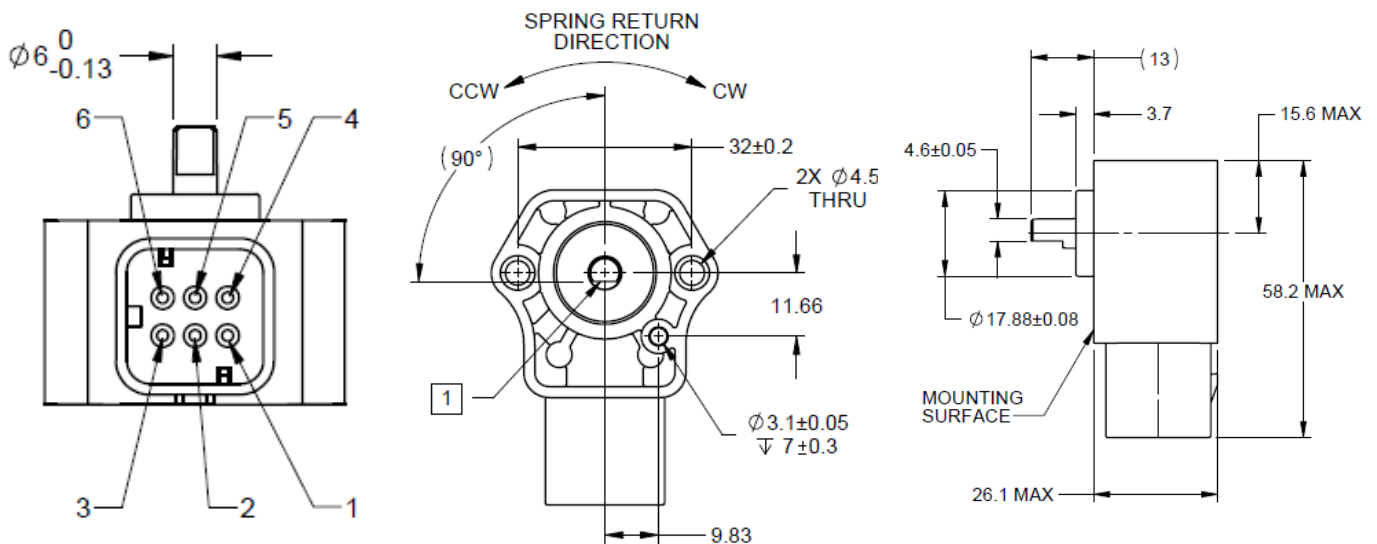
TOLERANCES, UNLESS OTHERWISE NOTED:

x.x= +/- 0.3

x.xx= +/- 0.13

**1** SHAFT FLAT IS SHOWN WITH SENSOR AT 50%±3% VOLTAGE (INDEX)

### Dimensions- Ampseal connector (Option 9360A)



## X-ON Electronics

Largest Supplier of Electrical and Electronic Components

*Click to view similar products for [Industrial Motion & Position Sensors](#) category:*

*Click to view products by [Sensata](#) manufacturer:*

Other Similar products are found below :

[595002M9474](#) [01071901](#) [D02318603](#) [70U1N048S104U](#) [FE-41164](#) [G8652](#) [G8744](#) [GA1T040F103UA](#) [GA1T100F502UA-A](#)  
[GA2E056P102UA](#) [GA2G140F252UA-A](#) [GA2T044S103UA-B](#) [GPS8627](#) [GS2T032F253BA](#) [GS4P048F503UC](#) [GS4T040F503UC](#) [GS8367B](#)  
[GS8819](#) [9811405](#) [RDC1010A12](#) [JA3G032P501UA-A](#) [KJ5-M18MB60-AZS](#) [27M226](#) [9810825](#) [9870706](#) [F07008036](#) [SPSN048P202U](#)  
[F65118112](#) [GA2G042F103UA](#) [GA2M028S102MC](#) [GA2M028S502RA](#) [GA2T056F502UA](#) [GH8810](#) [25M921](#) [GS8368B](#) [CM47070](#)  
[CR121250](#) [31M573](#) [380000M8643](#) [385500M9303](#) [388037M6962](#) [388281M9646](#) [388517025480039](#) [388580038670069](#) [388818078120022](#)  
[388860073800031](#) [388C11M9548](#) [388C24160090003](#) [389504075810001](#) [389767001230861](#)