


# ACW4 IO-LINK

## IO-LINK ABSOLUTE SINGLE-TURN MODULAR SENSOR

### Introduction

The ACW4  **IO-Link** version provides a compact versatile single-turn absolute position indication. The two-part construction keeps the profile low, delivering a high degree of flexibility for tight installations. By using the IO-Link protocol, integration and set-up of sensors is greatly simplified, supporting the move to factory 4.0 and IIOT initiatives. The ACW4 IO-Link is sealed to IP65 making it suitable for even the harshest industrial environments.



### Features

- With its two-part design, the ACW4 IO-Link absolute single-turn position sensor offers maximum flexibility during installation
- IO-Link with COM3 transmission rate
- Easy commissioning and configuration with IO-Link
- Simple device replacement with Data Storage capability
- Universal power supply through IO-Link Master
- Robust and excellent resistance to shock and vibration
- Robust magnetic technology
- Standard IP65 protection (IP69K option)
- Extended operating temperature range from -40°C to 85°C
- Resolution : programmable 12 bits per turn
- Standard M12 connector

### Applications

- Factory Automation
- Process Automation



## SPECIFICATIONS

### Mechanical

<b>Terminations</b>	PUR cable with M12 5 pin connector
<b>Housing</b>	Technomelt PA638 black
<b>Weight</b>	0,150 kg

### Electrical

<b>Electrical Angle</b>	360°
<b>Output Function</b>	IO-Link V1.1, COM3 (230,4 kBaud)
<b>Minimal Cycle Time</b>	1ms
<b>Resolution</b>	single-turn: 12 bits
<b>Accuracy</b>	+/-0.3% on 360°
<b>Repeatability</b>	+/-0.1% on 360°
<b>Supply Voltage</b>	18 to 30 Vdc
<b>Current Requirements</b>	<40mA
<b>Protection</b>	Overvoltage Protection: Yes Reverse Polarity Protection: Yes Short Circuit Protection: Yes

<b>EMC</b>	IEC 61000-4-2 Electrostatic discharge (ESD) 4 kV, 8 kV
	IEC 61000-4-3 Electromagnetic fields 10 V/m (80MHz - 1GHz), 3V/m (1.4GHz - 2GHz), 1V/m (2GHz - 2.7GHz)
	IEC 61000-4-4 Electrical fast transients (burst) 1 kV
	IEC 61000-4-6 Conducted disturbances, induced by RF-fields 10 VEMF.

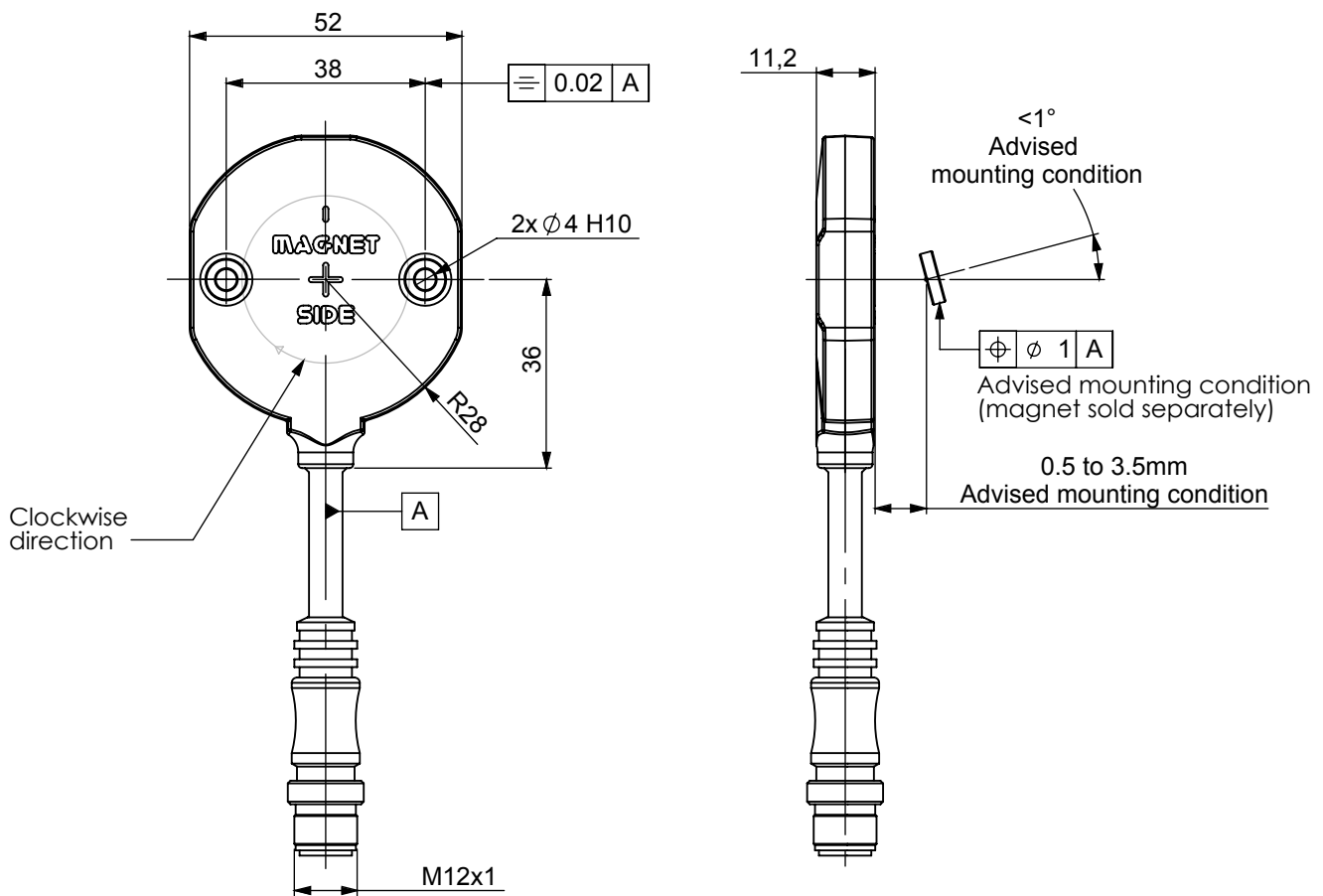
## Environmental

<b>Protection Class (Sealing)</b>	IP65	
<b>Temperature Range</b>	<b>Operating</b>	-40°C to 85°C
	<b>Storage</b>	-40°C to 85°C
<b>Shock</b>	≤ 2000 m.s <sup>-2</sup> (6ms half-sine)	
<b>Vibration</b>	≤ 200 m.s <sup>-2</sup> (55 ... 2000 Hz)	



## DIMENSIONS

All Dimensions are in millimeters.  
 Shaft system with magnet to be ordered separately (see Accessories).





## IO-LINK FEATURES

### Process data

- Position: single turn 12 bits maximum
- Magnetic field issue : flag triggered if problem with magnet detection

### Programmable Parameters

- Resolution per turn: 1 to 12 bits
- Direction: clockwise or counter-clockwise, changes counting direction.
- Set zero point : reset position to zero
- Preset value : The position process data is set to the preset parameters. The preset parameter shall be a valid position value according to the resolution chosen.

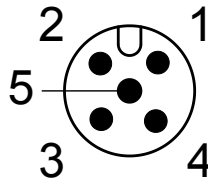
### Diagnostics

- Operating Hours : number of hours since factory reset

## CONNECTOR PIN OUT

### IO-link device class B (Male M12 5 pin)

Pin	Color	Signal
1	Brown	L+
2	White	N.C
3	Blue	L-
4	Black	IO-Link
5	Grey	N.C



## NOTES

Stray magnetic fields can interfere with accuracy and repeatability of the signal.

## ORDERING OPTIONS

Example : ACW4\_00//Z10B//12//BD R003

(Contact the factory for special versions, ex : dimensions, connections... )

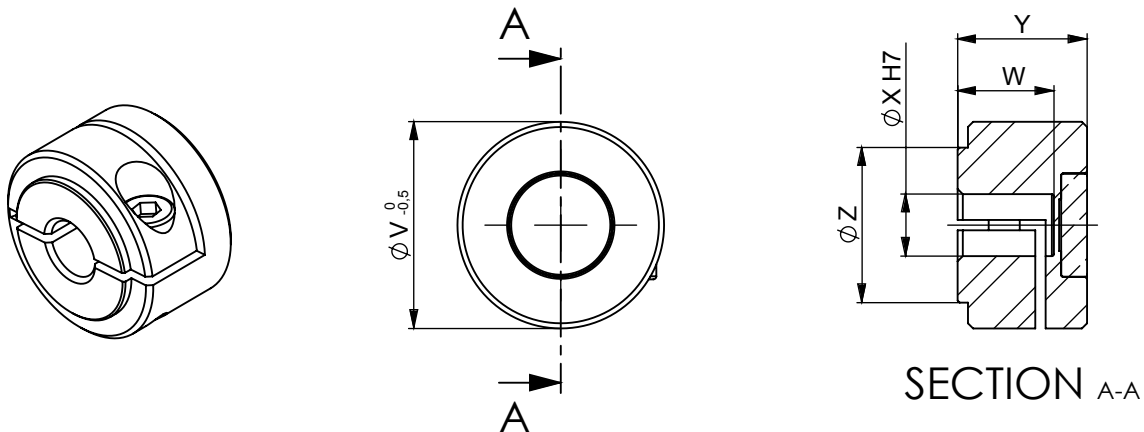
<b>Family</b>	ACW4	-	00	//	Z		10		B	//	12	//	BD		R003
<b>ACW4:</b> Absolute Single-Turn Sensor															
<b>Shaft Ø</b>															
<b>00:</b> Modular															
<b>Supply</b>															
<b>Z:</b> 18 to 30Vdc															
<b>Output Stage</b>															
<b>10:</b> IO-Link															
<b>Code</b>															
<b>B:</b> Binary															
<b>Resolution</b>															
<b>12:</b> 12 bits single turn position															
<b>Connection</b>															
<b>BD:</b> PUR Cable + M12 5 pin connector															
<b>Connection Orientation</b>															
<b>R003:</b> Radial Cable 30cm															

## ACCESSORIES

### Female magnet support + Magnet 8810/013

Ordering p/n : **M9105/Kxx**

XXX: Where XX is the shaft mounting diameter in mm. Standards are 06, 08, 10, 11, and 14 mm. i.e M9105/K10 mounts to a 10 mm shaft.

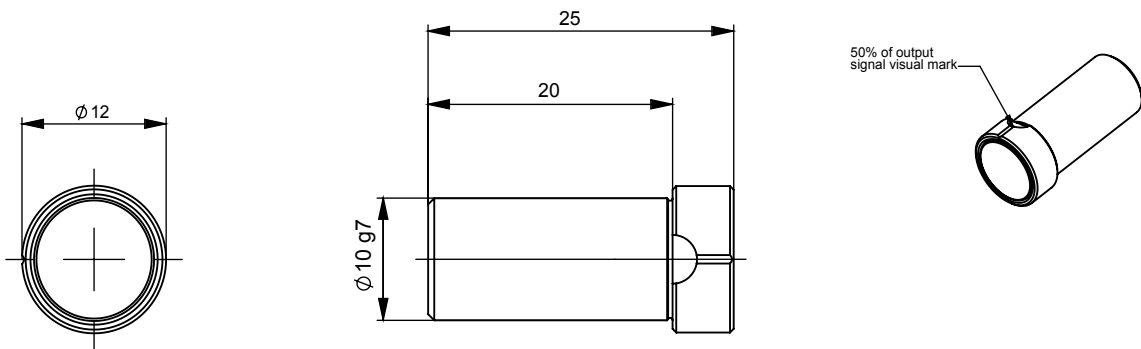


	M9105/K06	M9105/K08	M9105/K10	M9105/K11	M9105/K14
<b>X</b>	06 H7	08 H7	10 H7	11 H7	14 H7
<b>V</b>	20	20	26	26	29
<b>W</b>	9,3	9,3	10	10	10
<b>Y</b>	12,5	12,5	14	14	14
<b>Z</b>	15	15	15	15	18

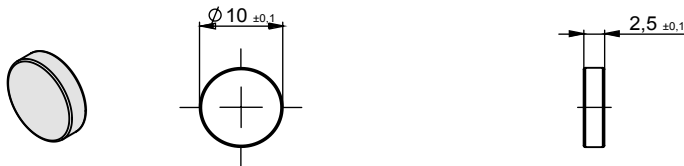
**Frontal magnet support + Magnet 8810/013**  
 Ordering p/n : **M9105/F26**



**Male magnet support + Magnet 8810/013**  
 Ordering p/n : **M9105/M10-01**



**Magnet**  
 Ordering p/n : **8810/013**



Sensata Technologies, Inc. ("Sensata") data sheets are solely intended to assist designers ("Buyers") who are developing systems that incorporate Sensata products (also referred to herein as "components"). Buyer understands and agrees that Buyer remains responsible for using its independent analysis, evaluation and judgment in designing Buyer's systems and products. Sensata data sheets have been created using standard laboratory conditions and engineering practices. Sensata has not conducted any testing other than that specifically described in the published documentation for a particular data sheet. Sensata may make corrections, enhancements, improvements and other changes to its data sheets or components without notice.

Buyers are authorized to use Sensata data sheets with the Sensata component(s) identified in each particular data sheet. HOWEVER, NO OTHER LICENSE, EXPRESS OR IMPLIED, BY ESTOPPEL OR OTHERWISE TO ANY OTHER SENSATA INTELLECTUAL PROPERTY RIGHT, AND NO LICENSE TO ANY THIRD PARTY TECHNOLOGY OR INTELLECTUAL PROPERTY RIGHT, IS GRANTED HEREIN. SENSATA DATA SHEETS ARE PROVIDED "AS IS". SENSATA MAKES NO WARRANTIES OR REPRESENTATIONS WITH REGARD TO THE DATA SHEETS OR USE OF THE DATA SHEETS, EXPRESS, IMPLIED OR STATUTORY, INCLUDING ACCURACY OR COMPLETENESS. SENSATA DISCLAIMS ANY WARRANTY OF TITLE AND ANY IMPLIED WARRANTIES OF MERCHANTABILITY, FITNESS FOR A PARTICULAR PURPOSE, QUIET ENJOYMENT, QUIET POSSESSION, AND NON-INFRINGEMENT OF ANY THIRD PARTY INTELLECTUAL PROPERTY RIGHTS WITH REGARD TO SENSATA DATA SHEETS OR USE THEREOF.

All products are sold subject to Sensata's terms and conditions of sale supplied at [www.sensata.com](http://www.sensata.com) SENSATA ASSUMES NO LIABILITY FOR APPLICATIONS ASSISTANCE OR THE DESIGN OF BUYERS' PRODUCTS. BUYER ACKNOWLEDGES AND AGREES THAT IT IS SOLELY RESPONSIBLE FOR COMPLIANCE WITH ALL LEGAL, REGULATORY AND SAFETY-RELATED REQUIREMENTS CONCERNING ITS PRODUCTS, AND ANY USE OF SENSATA COMPONENTS IN ITS APPLICATIONS, NOTWITHSTANDING ANY APPLICATIONS-RELATED INFORMATION OR SUPPORT THAT MAY BE PROVIDED BY SENSATA.

Mailing Address: Sensata Technologies, Inc., 529 Pleasant Street, Attleboro, MA 02703, USA.

**CONTACT US**

**Americas**  
 +1 (800) 350 2727  
[sales.beisensors@sensata.com](mailto:sales.beisensors@sensata.com)  
**EMEA**  
[position-info.eu@sensata.com](mailto:position-info.eu@sensata.com)  
 +33 (3) 88 20 8080  
**Asia Pacific**  
[sales.isasia@list.sensata.com](mailto:sales.isasia@list.sensata.com)  
 China +86 (21) 2306 1500  
 Japan +81 (45) 277 7117  
 Korea +82 (31) 601 2004  
 India +91 (80) 67920890  
 Rest of Asia +886 (2) 27602006  
 ext 2808

## X-ON Electronics

Largest Supplier of Electrical and Electronic Components

*Click to view similar products for [Industrial Hall Effect/Magnetic Sensors](#) category:*

*Click to view products by [Sensata](#) manufacturer:*

Other Similar products are found below :

[GT-13013](#) [GT-14114](#) [GT-14123](#) [SR4P2-C7](#) [GT-12076](#) [GT-14049](#) [GT-14067](#) [GT-14132](#) [GT-18030](#) [103FW12-R3](#) [SMSA2P30CG](#) [GN 55.2-SC-8-3](#) [MZR40178](#) [103FW41-R1](#) [SR-10018](#) [PST360G2-1S-C0000-ERA360-05K](#) [103SR14A-1](#) [MZT7-03VPS-KR0](#) [MZT7-03VPS-KW0](#) [MZT8-03VPS-KW0](#) [MZT8-28VPS-KP0](#) [55505-00-02-B](#) [GN 55.2-ND-15-3](#) [GN 55.2-ND-18-3](#) [GN 55.2-ND-4-3](#) [GN 55.2-ND-8-3](#) [GN 55.2-SC-10-3](#) [GN 55.4-ND-10-7,5-2](#) [GN 55.4-ND-26-20,3-5](#) [GN 55.4-ND-7,5-4-1,5](#) [101MG7-BP](#) [A1389LUA-9-T](#) [A1233LK-T](#) [MXM1120KIT](#) [MXM1120SOKIT](#) [A3212EUA-T](#) [A1220LLHLT-T](#) [AA004-00E](#) [AA006-02E](#) [MM12-60APS-ZUK](#) [ACX04-F99-I-V15](#) [GN 55.1-SC-24-11.5-4](#) [MZA70155](#) [MZR40158](#) [PW520000](#) [ADH025-00E](#) [MZT7-03VPS-KP0](#) [MZT8-03VPS-KR0](#) [MZT8-03VPS-KP0](#) [RZT7-03ZRS-KP0](#)