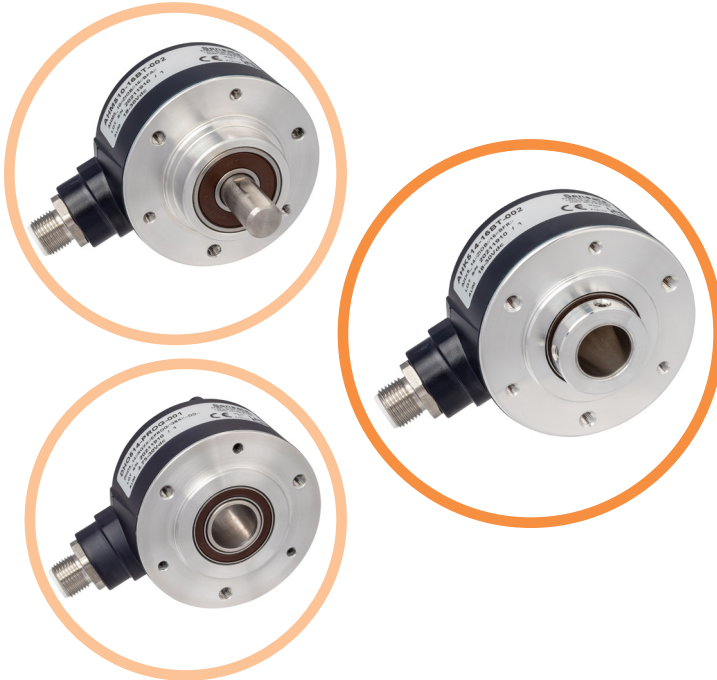


# DHM5 - DHK5 - DH05

## INCREMENTAL IO-LINK ENCODERS

### Introduction

Built from a solid and reliable mechanical and electrical platform, this product series was built from the ground up for reliability and robustness. Electrical protection is built in to reduce “first installation” errors. Mechanically, the high precision sealed bearings mean long life, even in harsh conditions. And the product is tested and rated to perform from -40 to +85°C. This is the best all around encoder in a 58mm package for heavy duty industrial use.



### SPECIFICATIONS

#### Mechanical

		DHM5	DHK5	DH05
<b>Material</b>		<b>Cover:</b> Zinc Alloy <b>Body:</b> Aluminium <b>Shaft:</b> Stainless Steel		
<b>Bearings</b>		6000 Series	6803 Series	
<b>Maximum Loads</b>	<b>Axial</b>	50 N	20 N	
	<b>Radial</b>	100 N	50 N	
<b>Shaft inertia</b>		2,5.10 <sup>-6</sup> kg.m <sup>2</sup> (10mm)	2,9.10-6 kg.m <sup>2</sup> (14mm)	3,2.10-6 kg.m <sup>2</sup> (14mm)
<b>Torque</b>		4.10 <sup>-3</sup> N.m	16.10-3 N.m	20.10 <sup>-3</sup> N.m
<b>Permissible Max. Speed</b>		12 000 min <sup>-1</sup>	6 000 min <sup>-1</sup>	
<b>Continuous Max. Speed</b>		10 000 min <sup>-1</sup>	6 000 min <sup>-1</sup>	
<b>Encoder Weight (Approx.)</b>		0,300 kg		
<b>Theoretical Mechanical Lifetime 10<sup>9</sup> turns (F<sub>axial</sub> / F<sub>radial</sub>)</b>		30 N / 60 N : 26	20 N / 40 N : >36	

### Features

- Incremental encoder with IO-link programmable parameters
- IO-Link COM3 with minimal cycle time of 1ms
- Absolute position available via IO-link
- Easy programming with standard IO-Link tool
- Simple device replacement with Data Storage capability
- Universal Electronic Circuits from 4.75 to 30 Vdc
- Robust and excellent resistance to shock and vibration
- High protection level IP65, IP67 option with a sealing flange
- Operating temperature range from -40°C to 85°C
- Standard M12 connector available

### Applications

- Factory automation
- Motor feedback
- Conveyors
- Automated warehousing
- General industrial system monitoring and feedback



## Electrical

This encoder series offers an incremental encoder augmented by IO-Link configurability and diagnostics capabilities. There are two different implementations:

- Incremental encoder and IO-link on a dedicated wire (RGZ electronics)
- Incremental encoder with IO-link multiplexed on Z wire, in this case when working in a mode, the other one is disabled (RGY electronics)

Ver.	Mode	Output Signals	Operating Voltage	Supply current (no loads)	Current per channel pair	Short-circuit proof	Reverse polarity tolerant	Frequency Capability	Resolution	Temperature range
RGY RGZ	Incremental	programmable (HTL or TTL)	4,75V to 30V	< 75mA	< 40mA	Yes	Yes	Up to 1MHz	programmable (1 to 10kppr)	-40°C to +85°C
	IO-Link	IO-Link	18V to 30V					IO-link COM3 (230,4 kbits/s)	programmable (1 to 16bits)	

(1) RGY outputs are multiplexed, they are in incremental mode or IO-link mode (default startup mode is incremental)

(2) RGZ have Incremental and IO-link outputs working simultaneously

## Environmental

<b>Shocks (EN 60068-2-27)</b>	≤ 500 m.s <sup>-2</sup> (during 6 ms)
<b>Vibrations (EN 60068-2-6)</b>	≤ 200 m.s <sup>-2</sup> (10...2 000Hz)
<b>EMC</b>	EN 61000-6-2, EN 61000-6-4
<b>Isolation</b>	1 000V eff
<b>Operating Temperature</b>	-40 ... + 85°C (encoder T°)
<b>Storage Temperature</b>	-40 ... + 85°C
<b>Protection (EN 60529)</b>	IP 65
<b>Humidity</b>	98% RH non-condensing at 20 °C

## IO-LINK features

### Process data

- Position : single turn 16 bits max
- Speed : calculated speed in rpm (signed)

### Programmable Parameters

- Direction : clockwise or counter-clockwise, changes counting direction and speed sign.
- Set Zero Pulse command : Set the current position as the incremental zero pulse position. Set also the absolute position to zero.

For incremental mode :

- Incremental resolution : number of cycles per turn : from 1 to 10000
- Output voltage level : HTL or TTL
- Zero pulse width : 90°, 180° 270° or 360° (See figure for details)

Absolute parameters (in IO-Link mode) :

- Resolution per turn: 1 to 16 bits
- Speed window calculation : time between each speed data update.

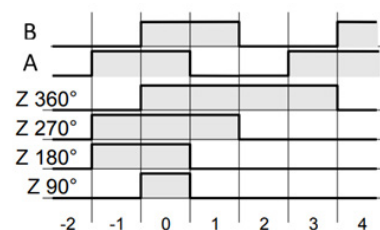
### Diagnostics

- Operating Hours : number of hours since factory reset
- Temperature : event triggers when temperature exceeds specifications
- Device Status : Access to the status of the encoder

### Factory settings

- Output : HTL, incremental resolution 1024, direction : clockwise B before A, zero pulse : 90°, speed calculation window : 200ms, absolute resolution 16 bits

**Table 1 : Z pulse width definition**





# STANDARD CONNECTIONS

## Electronics RGY : Incremental OR IO-link on Z (multiplexed)

	Mode	INC	GND	VCC	A	B	Z	A/	B/	Z/	Ground
		IO-link	L-	L+	NC	NC	IO-link	NC	NC	NC	NC
<b>GM</b>	M12 8 pins		1	2	3	4	5	6	7	8	shield
<b>BF</b>	M12 5 pins		3	1	2	5	4	-	-	-	shield
<b>GP</b>	PUR Cable 8 wires		WH	BU	GY	BN	RD	PK	GN	BK	shield
<b>G3</b>	PVC Cable 8 wires		WH	BN	GN	YE	GY	PK	BU	RD	shield

## Electronics RGZ : Incremental AND IO-link (simultaneous)

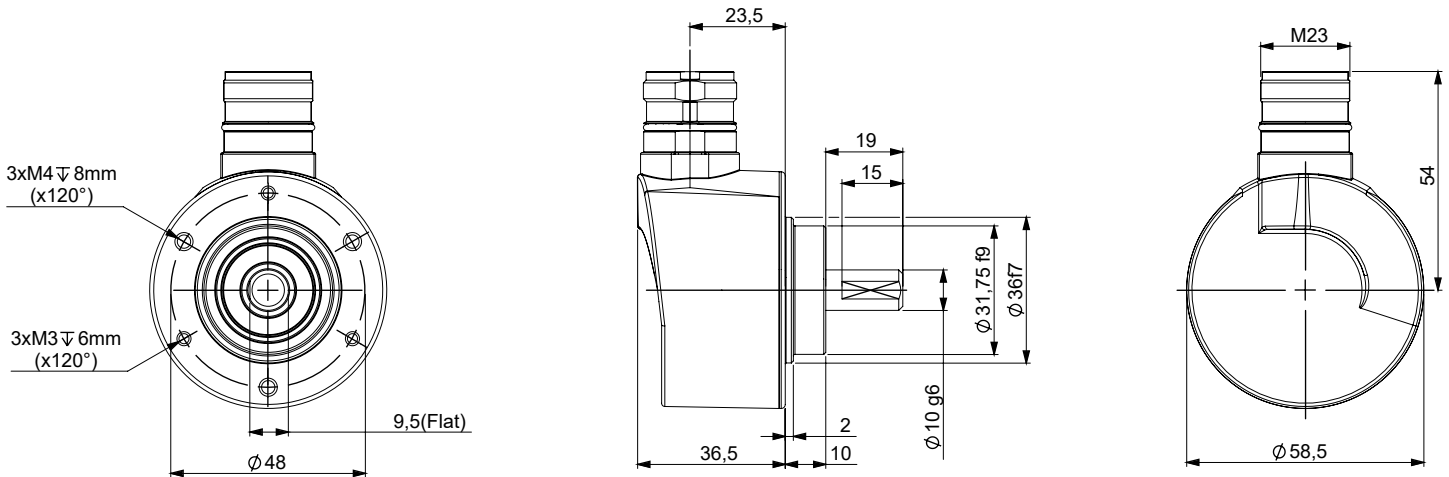
		GND (L-)	VCC (L+)	A	B	Z	A/	B/	Z/	IO-link	Ground
<b>I6</b>	M23 12 pins CW	1	2	3	4	5	6	7	8	9	shield
<b>IP</b>	Cable PUR 9 wires	WH	BU	GY	BN	RD	PK	GN	BK	BN/GN	shield



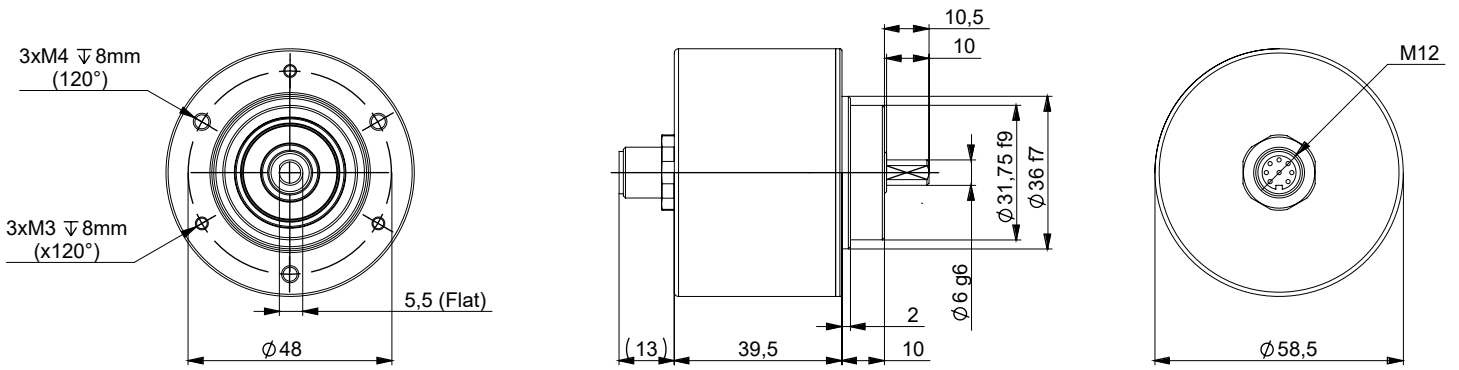
## DIMENSIONS

All dimensions are in millimeters.

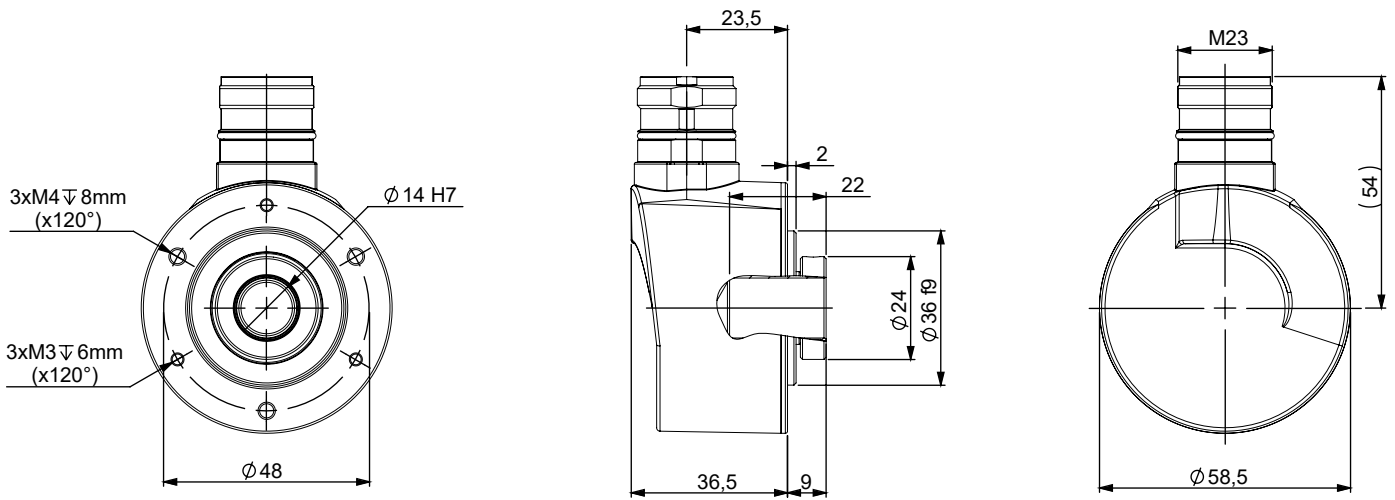
### DHM5\_10 Connection I6R (Radial M23)



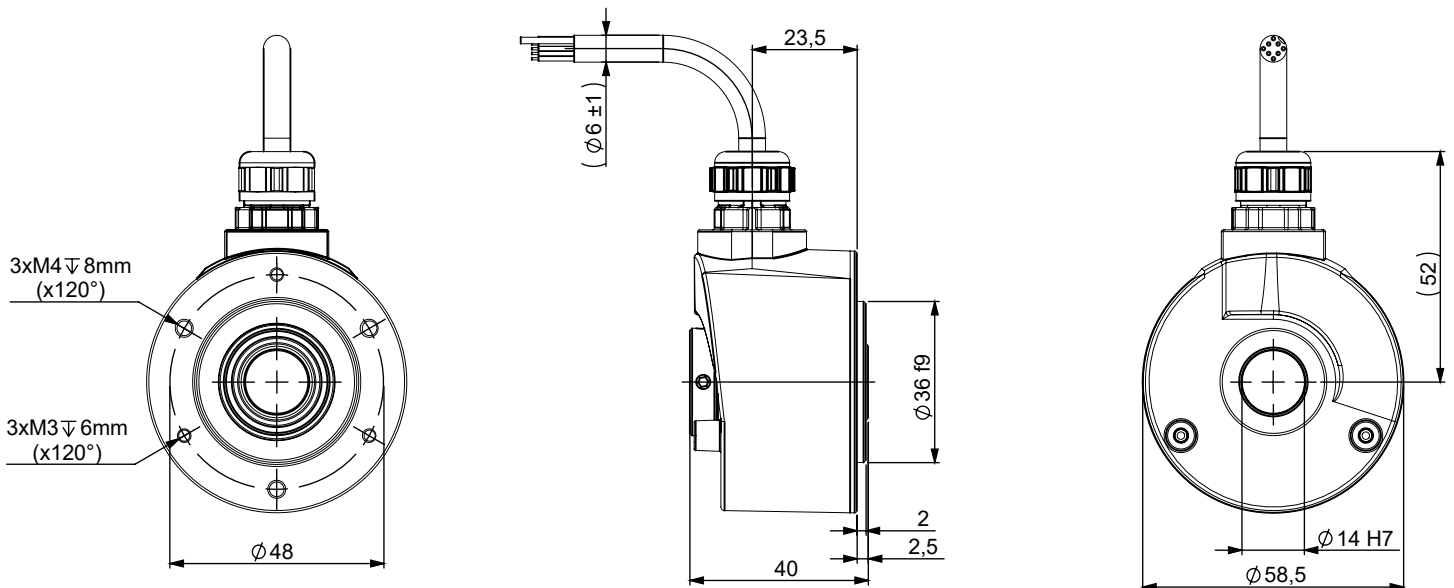
### DHM5\_06 Connection GMA (Axial M12)



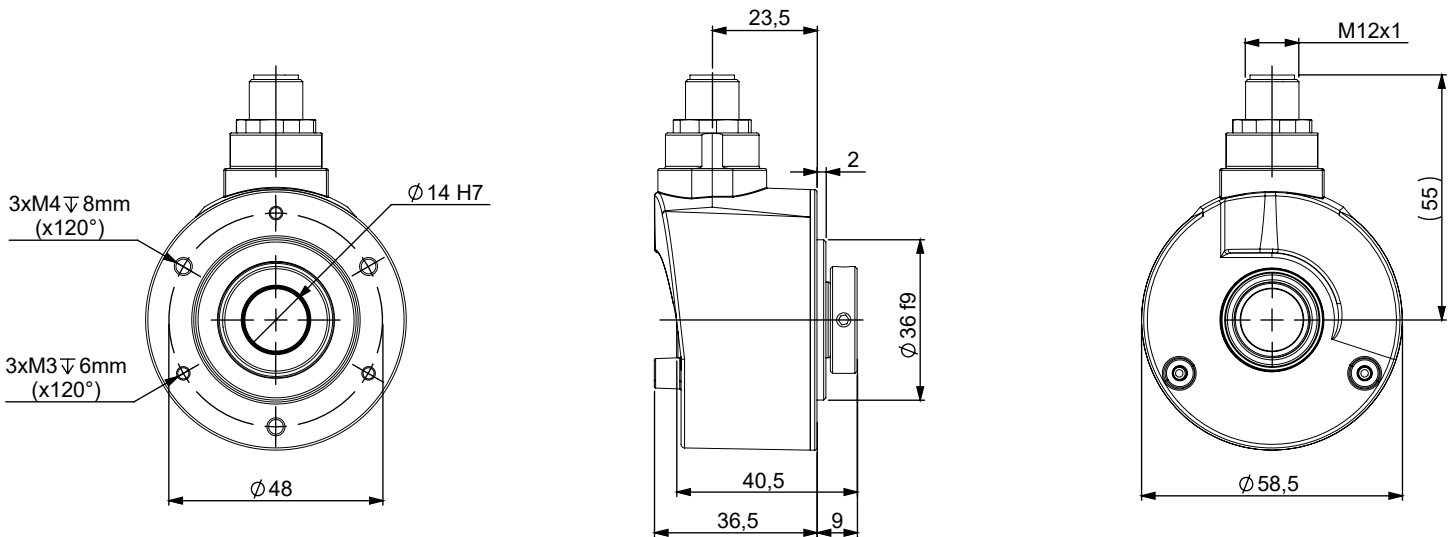
### DHK5\_14 Connection I6R (Radial M23)



### DH05\_14 Standard clamping, Connection G3R (Radial Cable)



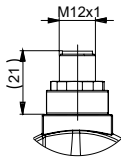
## DH05S14/OM/ Flange side clamping, Connection GMR (Radial M12)



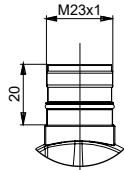
### CONNECTION DIMENSIONS

#### Radial

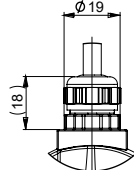
##### M12 GMR, BFR



##### M23 I6R

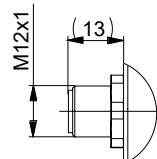


##### Cable G3R, GPR, IPR

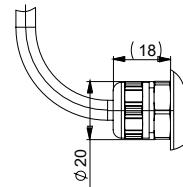


#### Axial

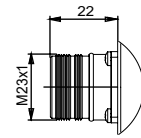
##### M12 GMA, BFA



##### Cable IPA, G3A, GPA



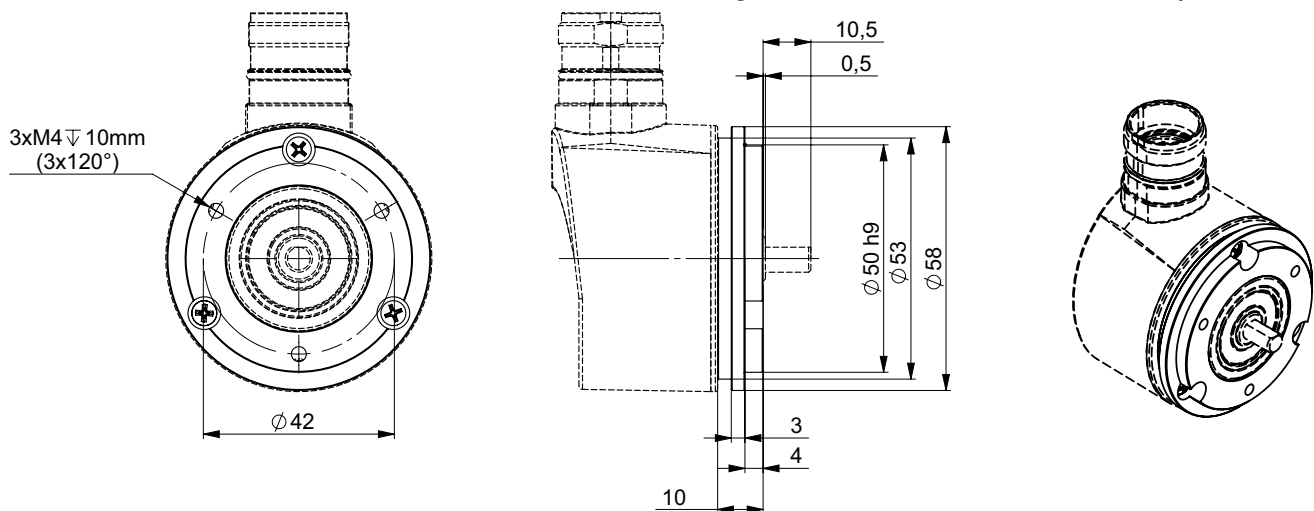
##### M23 I6A



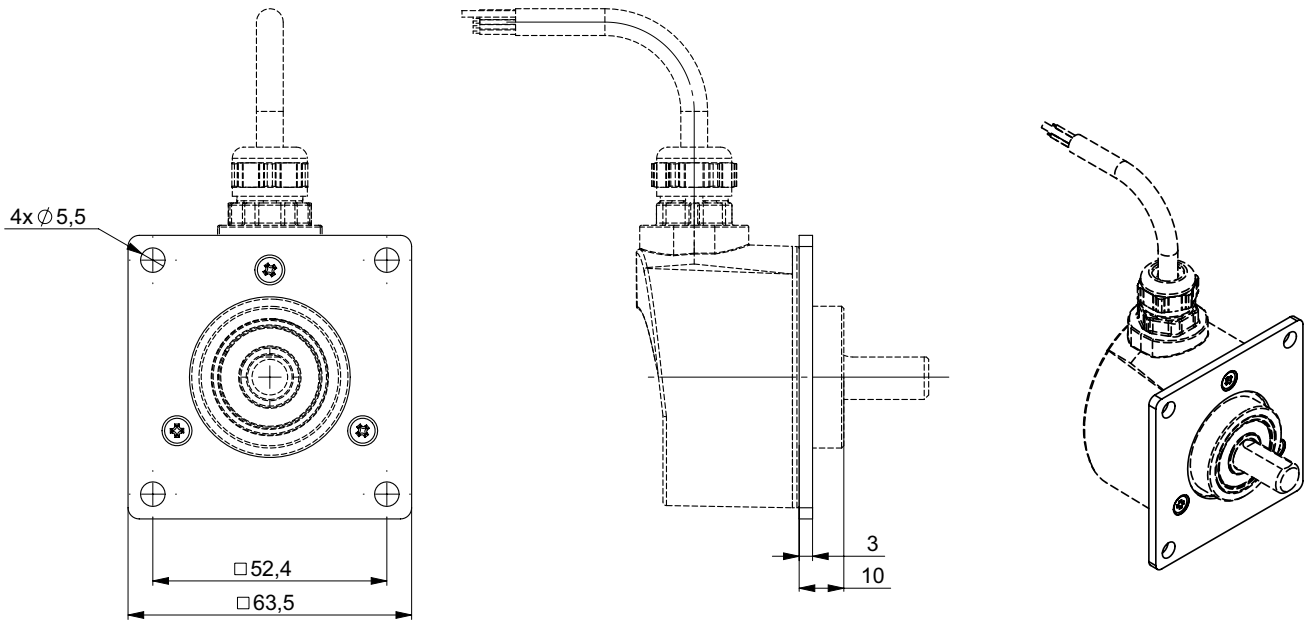
### FLANGE AND COUPLING INTERFACES

The flange or coupling configurations can be defined in the ordering options and they will be installed on encoder in factory. All flange or coupling kits can also be ordered separately (see accessories section).

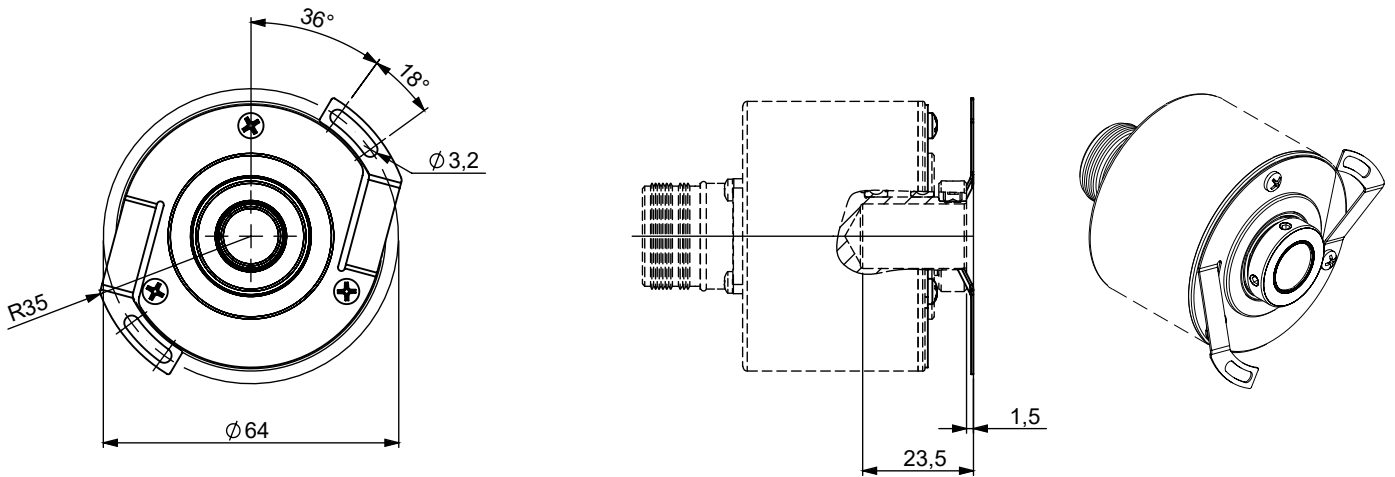
## DHM5\_06 Connection I6R (Radial M23), flange 9500/003 mounted on the body



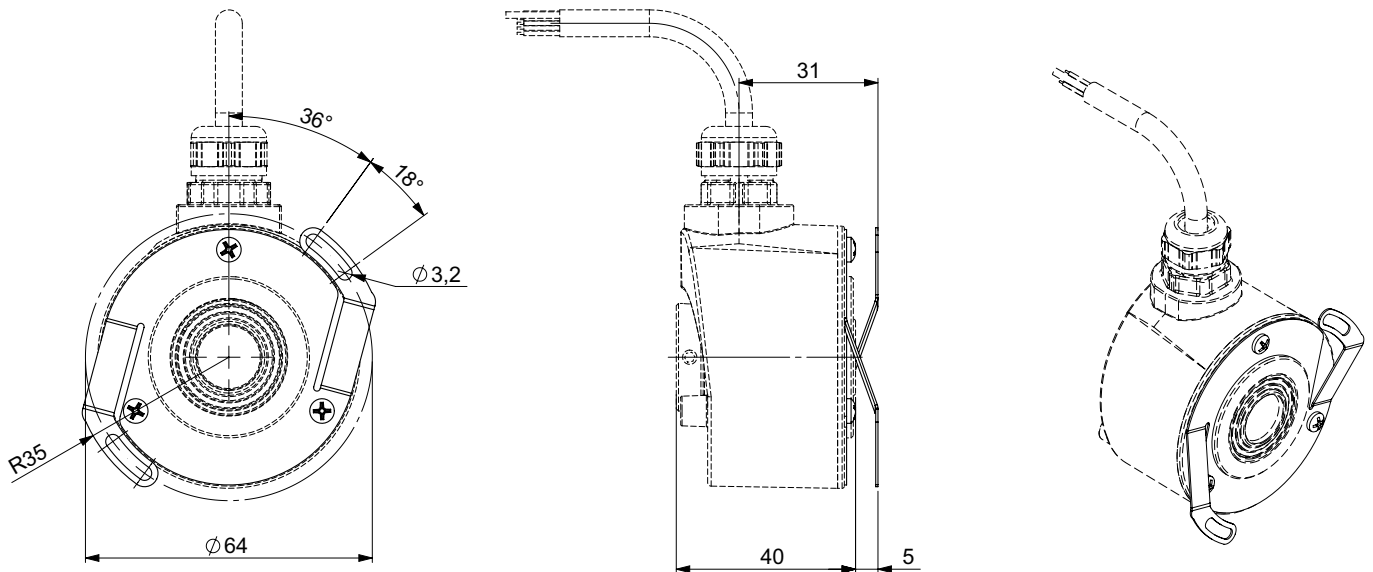
DHM5\_10 Connection G3R (Radial cable), flange 9500/005 mounted on the body



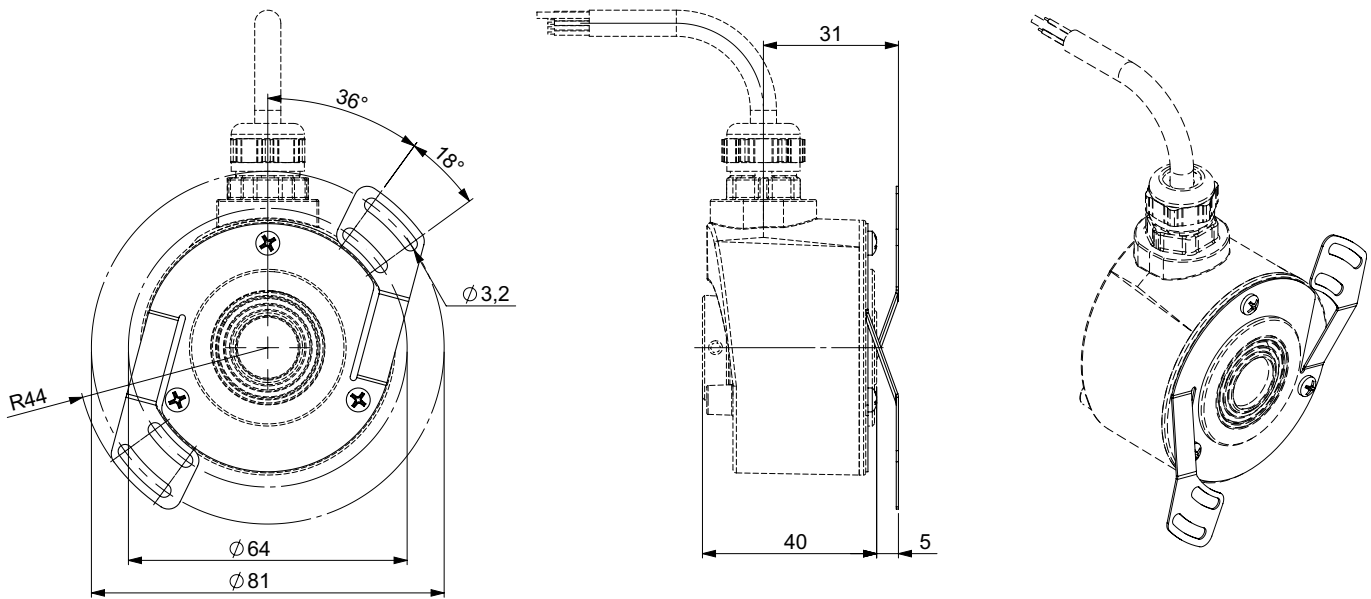
DHK5\_14 Connection I6A (Axial M23), coupling 9445/016 mounted on the body



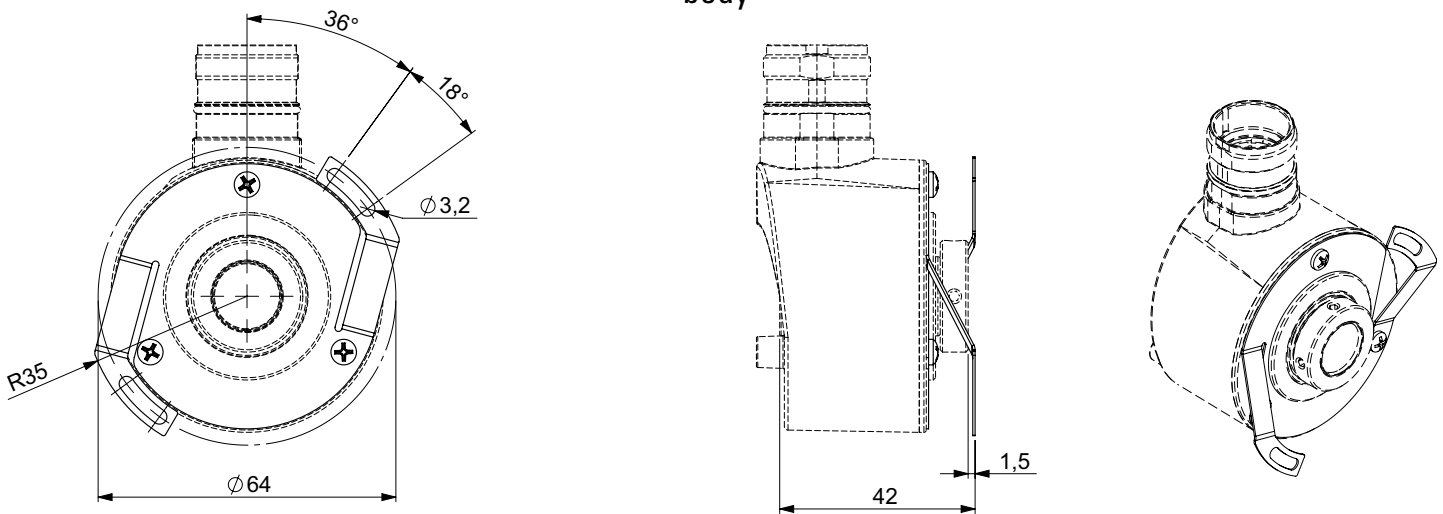
DH05\_14 Standard clamping, Connection G3R (Radial Cable), coupling 9445/012 mounted on the body



DH05\_14 Standard clamping, Connection G3R (Radial Cable), coupling 9445/015 mounted on the body



DH05S14/OM/ Flange side clamping, Connection IPR (Radial M23)", coupling 9445/016 mounted on the body



**GENERAL NOTES**

***For an optimized installation meeting industrial standards, refer to the Instructions Manual. The Instructions Manual provides the technical information (drawings, electrical data, etc...) for a proper integration.***

**AGENCY APPROVALS & CERTIFICATIONS**



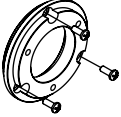
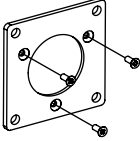
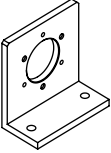
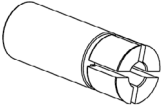
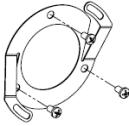
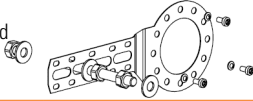
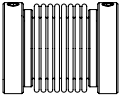
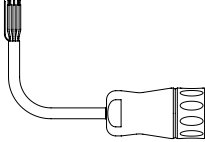


# ORDERING OPTIONS

Example : DHM5\_06//RGZ9//EPROG//I6R//\*\*03\*\*

Family	DHM5	06	/	/	RGZ	X	//	EPROG	//	I6	R	//	**03**
<b>DHM5:</b> Solid Shaft Encoder <b>DHK5:</b> Blind Shaft Encoder <b>DH05:</b> Hollow Shaft Encoder													
<b>Shaft Size</b>													
<b>DHM5</b> 06: 6 mm 09: 9.52 mm 10: 10 mm 08: 8mm (Option)		<b>DHK5 or DH05:</b> 10: 10 mm 12: 12 mm 14: 14 mm 15: 15mm (Option)											
Contact factory for other configurations													
<b>Mechanical Option</b>													
<b>Blank:</b> No option <b>OM:</b> Flange side clamping													
<b>Voltage Output</b>													
<b>RGY :</b> 4,75-30V IO-link multiplexed on Z programmable output HTL/TTL <b>RGZ :</b> 4,75-30V programmable output HTL/TTL and IO-link													
<b>Channels</b>													
<b>X :</b> programmable outputs													
<b>Cycles / Turn</b>													
<b>EPROG:</b> Full programmable 1-10kppr with programming tool (IO-Link master)													
<b>Output Termination</b>													
<b>GM:</b> M12 8 Pins <b>GP:</b> PUR Cable - 8 Wires (not UL) <b>G3:</b> PVC Cable - 8 Wires <b>BF :</b> M12 5 pins <b>I6:</b> M23 12 Pins CW <b>IP:</b> PUR Cable - 9 wires													
<b>Output orientation</b>													
<b>R:</b> Radial (All configurations) <b>A:</b> Axial (DHM5 and DHK5 only)													
<b>Cable Length</b>													
<b>xxx:</b> Cable Length (ex.: 020 = 2 Meters) Maximum IO-link cable length is 20 meters <b>Blank:</b> No Cable													
<b>Accessories</b>													
<b>D0****:</b> DH05 with aluminum reduction sleeve <b>D1****:</b> DH05 with insulated reduction sleeve <b>D2****:</b> DHK5 with aluminum reduction sleeve <b>**D2**:</b> 9445/012 DH05 Stator coupling <b>**D4**:</b> 9445/015 DH05 Stator coupling <b>**DK**:</b> 9445/016 DHK5 & DH05.../OM/ Stator coupling <b>**03**:</b> 9500/003 Synchro flange <b>**05**:</b> 9500/005 Square flange													



Description	Part Number		
<b>Synchro flange kit</b> Hardware included 	M9500/003 Other synchro flanges dimensions available on request		
<b>Square flange kit</b> Hardware included 	M9500/005 Other square flanges dimensions available on request		
<b>Mounting bracket</b> Hardware included 	M9202 (Compatible with all models)		
<b>Reduction sleeve</b> 	Insulated (PEEK) DH05 9431/106 9431/108 9431/110 9431/112	Non insulated (Aluminum) DH05    DHK5 9431/A06    9431/K06 9431/A08    9431/K08 9431/A10    9431/K10 9431/A12    9431/K12	Bore size (H7)  6 mm 8 mm 10 mm 12 mm
<b>Stator coupling kit</b> Hardware included 	P/N M9445/012 M9445/015 M9445/016	Recommended use/Compatibility DH05 DHK5 & DH05 DHK5 & DH05 with /OM/ option	Fixing points 2 4 2
Other stator coupling configurations available on request			
<b>Tether arm kit</b> Hardware included 	M9445/047 (Compatible with DHK5 and DH05 models)		
<b>Bellows coupling</b> 	9403/xx-yy with: xx = 06 to 12 (side 1 bore diameter in mm) yy = 06 to 12 (side 2 bore diameter in mm) + Imperial sizes available: 6.35, 9.52, 12.7 (mm) Installation: Refer to Instruction Manual		
<b>Standard Mating Connector</b> 2m, 5m, 10m Mating Cable Assembly 	Extension cords compatible with G6 connection option: RAL-020-001 = M23, PVC cable, 2m RAL-050-001 = M23, PVC cable, 5m RAL-100-001 = M23, PVC cable, 10m	Extension cords compatible with G8 connection option: RAL-020-xxx = M23, PUR cable, 2m RAL-050-xxx = M23, PUR cable, 5m RAL-100-xxx = M23, PUR cable, 10m	Extension cords compatible with GM connection option: 8230/366 = M12 overmolded, PUR cable, 2m 8230/370 = M12 overmolded, PUR cable, 5m 8230/368 = M12 overmolded, PUR cable, 10m
Standard programming cable (only for GMR) IO-Link USB master			

**Made in France**

Sensata Technologies, Inc. ("Sensata") data sheets are solely intended to assist designers ("Buyers") who are developing systems that incorporate Sensata products (also referred to herein as "components"). Buyer understands and agrees that Buyer remains responsible for using its independent analysis, valuation, and judgment in designing Buyer's systems and products. Sensata data sheets have been created using standard laboratory conditions and engineering practices. Sensata has not conducted any testing other than that specifically described in the published documentation for a particular data sheet. Sensata may make corrections, enhancements, improvements, and other changes to its data sheets or components without notice.

Buyers are authorized to use Sensata data sheets with the Sensata component(s) identified in each particular data sheet. HOWEVER, NO OTHER LICENSE, EXPRESS OR IMPLIED, BY ESTOPPEL OTHERWISE TO ANY OTHER SENSATA INTELLECTUAL PROPERTY RIGHT, AND NO LICENSE TO ANY THIRD PARTY TECHNOLOGY OR INTELLECTUAL PROPERTY RIGHT, IS GRANTED HEREIN. SENSATA DATA SHEETS ARE PROVIDED "AS IS". SENSATA MAKES NO WARRANTIES OR REPRESENTATIONS WITH REGARD TO THE DATA SHEETS OR USE OF THE DATA SHEETS, EXPRESS, IMPLIED, OR STATUTORY, INCLUDING ACCURACY OR COMPLETENESS. SENSATA DISCLAIMS ANY WARRANTY OF TITLE AND ANY IMPLIED WARRANTIES OF MERCHANTABILITY, FITNESS FOR A PARTICULAR PURPOSE, QUIET ENJOYMENT, QUIET POSSESSION, AND NON-INFRINGEMENT OF ANY THIRD PARTY INTELLECTUAL PROPERTY RIGHTS WITH REGARD TO SENSATA DATA SHEETS OR USE THEREOF.

All products are sold subject to Sensata's terms and conditions of sale supplied at [www.sensata.com](http://www.sensata.com) SENSATA ASSUMES NO LIABILITY FOR APPLICATIONS ASSISTANCE OR THE DESIGN OF BUYERS' PRODUCTS. BUYER ACKNOWLEDGES AND AGREES THAT IT IS SOLELY RESPONSIBLE FOR COMPLIANCE WITH ALL LEGAL, REGULATORY, AND SAFETY-RELATED REQUIREMENTS CONCERNING ITS PRODUCTS, AND ANY USE OF SENSATA COMPONENTS IN ITS APPLICATIONS, NOTWITHSTANDING ANY APPLICATIONS-RELATED INFORMATION OR SUPPORT THAT MAY BE PROVIDED BY SENSATA.

Mailing Address: Sensata Technologies, Inc., 529 Pleasant Street, Attleboro, MA 02703, USA

## CONTACT US

### Americas

+1 (800) 350 2727

[sensors@sensata.com](mailto:sensors@sensata.com)

### Europe, Middle East & Africa

+33 (3) 88 20 8080

[position-info.eu@sensata.com](mailto:position-info.eu@sensata.com)

### Asia Pacific

[sales.isasia@list.sensata.com](mailto:sales.isasia@list.sensata.com)

China +86 (21) 2306 1500

Japan +81 (45) 277 7117

Korea +82 (31) 601 2004

India +91 (80) 67920890

Rest of Asia +886 (2) 27602006

ext 2808

## X-ON Electronics

Largest Supplier of Electrical and Electronic Components

*Click to view similar products for [Encoders](#) category:*

*Click to view products by [Sensata](#) manufacturer:*

Other Similar products are found below :

[6-1393048-0](#) [6-1393048-5](#) [62AG22-H5-P](#) [700-09-36](#) [1393047-3](#) [ECW1J-C36-SE0/077L](#) [2-1393047-2](#) [25LB22-G-Z](#) [T101-5C3-111-M1](#)  
[385001M0439](#) [385001M0216](#) [V23401H1409B101](#) [V23401T8002B802](#) [V23401U6019B609](#) [62B11-LPP-040C](#) [62HS22-H0-040S](#) [700-16-16](#)  
[700-24-24](#) [V23401D1001B102](#) [3-1393048-1](#) [288T220R161A2](#) [1-1879391-5](#) [GH65C11-N-SO](#) [1393047-1](#) [702-01-24](#) [703-20-00](#) [62V22-02-P](#)  
[62D15-02-140S](#) [61K128-075](#) [EC21C1520402](#) [62AG18-L5-020C](#) [E6F-AG5C 720 2M](#) [62B22-SPP-030C](#) [60016-005](#) [31215-003](#) [01039-2677](#)  
[ACZ11BR2E-20FD1-20CZ-0546](#) [DXM510-2000S002](#) [01002-2133](#) [01002-9375](#) [01002-9572](#) [01026-476](#) [01039-1102](#) [01039-1981](#) [01070-](#)  
[1315](#) [01072-513](#) [01080-056](#) [01084-089](#) [01094-017](#) [01102-031](#)