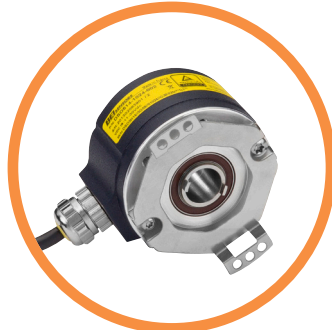


# DSM5H & DSO5H MODELS

## SIL3 PLe INCREMENTAL ENCODERS



DSM5H



DSO5H



### Features

- Usable up to SIL3 and Cat.4 / PLe according to IEC 61508 / EN ISO 13849
- Suitable for safe motor feedback according to IEC 61800-5-2
- Robustness and excellent resistance to shock and vibration
- High protection level: IP65
- High temperature performance –20°C to +85°C
- Power supply 5Vdc or 11/30Vdc
- Digital TTL/RS422 or HTL or sine/cosine 1Vpp output
- Resolutions up to 2500ppr
- 58mm encoder, solid shaft 6mm, 9.52mm or 10mm (DSM5H), and through shaft, standard 14mm (DSO5H)
- Connector or cable output (DSM5, side output only for DSO5)
- Stainless steel version available as an option (DSM5X) - consult factory
- Adapted anti-rotation system (DSO5H)

## SPECIFICATIONS

### Mechanical

	DSM5H	DSO5H
<b>Material</b>	<b>Cover:</b> powder coated zinc alloy <b>Body:</b> aluminum <b>Shaft:</b> AISI 303 stainless steel	<b>Cover:</b> powder coated zinc alloy <b>Body:</b> aluminum <b>Shaft:</b> AISI 303 stainless steel
<b>Bearings</b>	6000 series - sealed	6803 series - sealed
<b>Maximum Loads</b>	<b>Axial:</b> 40 N	<b>Axial:</b> 20 N
	<b>Radial:</b> 80 N	<b>Radial:</b> 40 N
<b>Shaft Inertia</b>	< 2,800 g.mm <sup>2</sup>	< 9,500 g.mm <sup>2</sup>
<b>Static/Dynamic torque</b>	5 / 35 mN.m	10 / 85 mN.m
<b>Permissible max. speed</b>	9,000 RPM	
<b>Continuous max. speed</b>	6,000 RPM	4,000 RPM
<b>Theoretical mechanical lifetime L<sub>10h</sub><sup>(A)</sup></b>	> 29.7 X 10 <sup>9</sup> turns / 82,365 hours	> 24 X 10 <sup>9</sup> turns / 100,000 hours
<b>Encoder weight (approx.)</b>	0.30 kg	0.28 kg

<sup>(A)</sup> *Continuous max. speed – ½ max. load – according to ISO 281: 1990, L<sub>10</sub>*

### Temperature Conditions

<b>Operating temperature</b>	- 20 ... + 85 °C (encoder T°)
<b>Storage temperature</b>	- 20 ... + 85 °C

## Electrical Characteristics / Functional Safety Parameters <sup>(B)</sup>

Electronic Version	Output signals	Operating Voltage +V	Supply current	Current per channel pair	Short circuits proof	Reverse polarity protected	PFD	PFH	MTTFd	DC
2G2	Digital TTL RS422	5V +/-5%	100mA with no load	40mA	Yes	Yes	7.51E-05	8.58E-10	1331	HIGH
5G2		11-30V			Not to +V		9.52E-05	1.09E-09	1050	
5G5	Digital HTL				Yes		9.52E-05	1.09E-09	1050	
2WT	Sine Cosine 1Vpp	5V +/-5%	70mA with no load	10mA	Yes		4.29E-05	4.90E-10	2328	
5WT		11-30V			Not to +V		6.60E-05	7.53E-10	1515	

<sup>(B)</sup> **Safety mission time:** 20 years

## Standards Conformity

<b>Protection(EN 60529)</b>	IP65
<b>Humidity (EN 60068-2-38)</b>	93% @ 65°C
<b>Shock (EN60068-2-27)</b>	≤ 500m.s <sup>-2</sup> (during 6 ms)
<b>Vibration (EN60068-2-6)</b>	≤ 200m.s <sup>-2</sup> (10 ... 2 000 Hz)
<b>EMC Immunity Test</b>	EN 61000-6-2,increased levels
<b>EMC Emission Test</b>	EN 61000-6-4,increased levels
<b>Isolation</b>	1000 Veff
<b>Salt Spray (EN 60068-2-11 part 2)</b>	96h
<b>Functional safety</b>	IEC 61508
	IEC 62061
	ISO 13849-1
	IEC 61800-5-2
	IEC 62061
<b>Encoders usable up to SIL3 / PLe with external specific requirements, see safety user manual for details.</b>	
<b>Z and Z/ are not safety signals.</b>	

## Electrical Connections

		0V	+V	A or S	B or C	Z	A/ or S/	B/ or C/	Z/	Ground
<b>G6</b>	<b>M23 - 12 pins CW</b>	1	2	3	4	5	6	7	8	Connector body
<b>G8</b>	<b>M23 - 12 pins CCW</b>	10 + 11	2 + 12	8	5	3	1	6	4	Connector body
<b>G3</b>	<b>PVC cable 8 wires 8230/020</b>	WH white	BN brown	GN green	YE yellow	GY grey	PK pink	BU blue	RD red	General shielding
<b>GP</b>	<b>PUR cable 12 wires 8230/050</b>	WH white + WH/GN white /green	BU blue + BN/GN brown / green	GY grey	BN brown	RD red	PK pink	GN green	BK black	General shielding

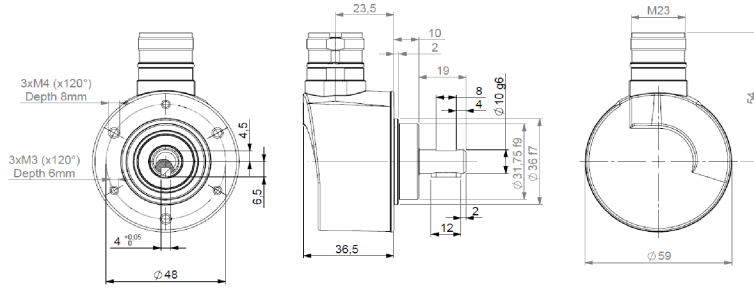
## Available Resolutions

250 256 360 500 512 1000 1024 2048 2500



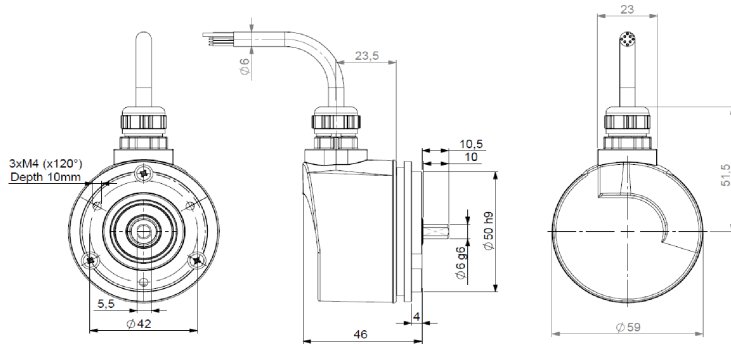
# DIMENSIONS

## DSM5H10 – radial M23 connector

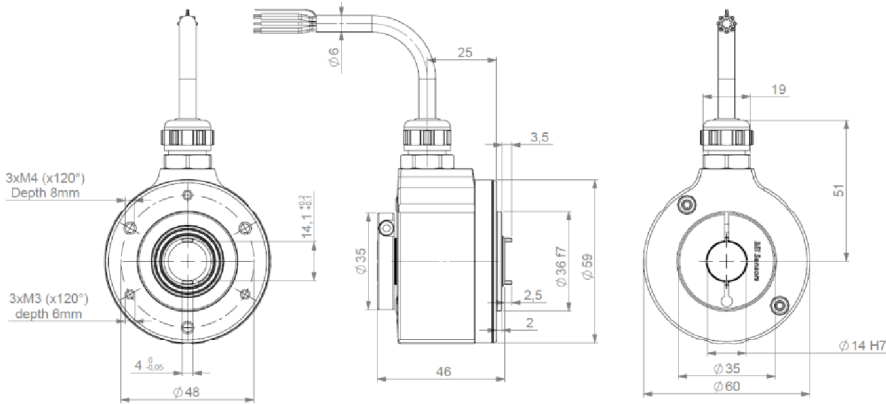


		9445/044	9445/047
Permissible misalignments	Axial	+/- 1mm	+/- 1mm
	Radial	+/- 0.2mm	+/- 0.2mm
	Perpend.	+/- 2°	+/- 5°
	Runout	0.1mm	0.1mm
Angular rigidity		200 N.m/rad	250 N.m/rad

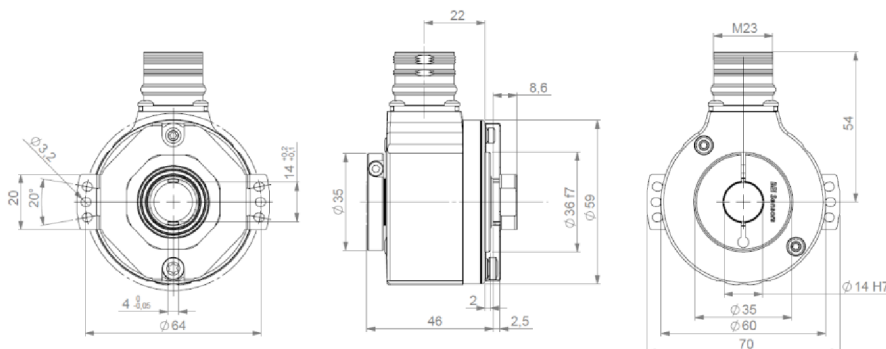
## DSM5H06 radial cable - with 9500/003 flange



## DS05H – radial cable



## DS05H radial M23 - with stator coupling 9445/044





# DSM5H ORDERING OPTIONS

Example : DSM5H06 // 5G29 // 01024 // GPR050 / 1J / \*\*03\*\*

Contact the factory for special versions, ex: resolution, connection, flange...

	DSM5H	06	//	5G59	//	01024	//	GPR050	/	1J	/	CS03**
<b>Family</b>	DSM5H											
<b>DSM5H</b>	DSM5H											
<b>Shaft</b>	06: 6mm 10: 10mm 09: 9.52 mm											
<b>Supply + Output stage + Output signals</b>	<b>Digital Signals:</b> 2: 5Vdc <b>G2:</b> TTL RS422 9: AA/ BB/ ZZ/ 5: 11- 30Vdc <b>G2:</b> TTL RS422 <b>G5:</b> HTL 9: AA/ BB/ ZZ/ <b>Analog Sine Cosine signals:</b> 2: 5Vdc <b>WT:</b> TTL RS422 <b>N:</b> SS/ CC/ ZZ/ 5: 11- 30Vdc <b>WT:</b> TTL RS422 <b>N:</b> SS/ CC/ ZZ/											
<b>Resolution</b>	250, 256, 360, 500, 512, 1000, 1024, 2048, 2500											
<b>Connection + Orientation</b>	<b>G6:</b> M23 12 pins CW <b>A:</b> axial <b>R:</b> radial <b>G8:</b> M23 12 pins CCW <b>A:</b> axial <b>R:</b> radial <b>GP:</b> PUR cable 12 wires <b>R:</b> radial cable (example: 050 = 5m) <b>G3:</b> PVC cable 8 wires <b>R:</b> radial cable (example: 050 = 5m)											
<b>Cover</b>	1J: Zinc alloy cover											
<b>Flange</b>	****: No specials <b>CS**:</b> Key for keyway DSMH10 only <b>**03**:</b> 9500/003 Servo Flange											



# DSO5H ORDERING OPTIONS

Example : DSO5H14 // 5G29 // 01024 // GPR050 // \*\*DX\*\*

Contact the factory for special versions, ex: resolution, connection, flange...

<b>Family</b>	<b>DSO5H</b>	<b>14</b>	//	<b>5G29</b>	//	<b>01024</b>	//	<b>GPR050</b>	//	<b>**DX**</b>
<b>DSO5H</b>										
<b>Shaft</b>										
<b>14:</b> 14mm										
<b>Supply + Output stage + Output signals</b>										
<b>Digital Signals:</b>										
2: 5Vdc										
<b>G2:</b> driver 5Vdc RS422										
<b>G5:</b> push-pull										
<b>9:</b> AA/ BB/ ZZ/										
5: 11- 30Vdc										
<b>G2:</b> driver 5Vdc RS422										
<b>G5:</b> push-pull										
<b>9:</b> AA/ BB/ ZZ/										
<b>Sine-wave signals:</b>										
2: 5Vdc										
<b>WT:</b> sine 1Vpp										
<b>N:</b> SS/ CC/ ZZ/										
5: 11- 30Vdc										
<b>WT:</b> sine 1Vpp										
<b>N:</b> SS/ CC/ ZZ/										
<b>Resolution</b>										
<b>250, 256, 360, 500, 512, 1000, 1024, 2048, 2500</b>										
<b>Connection + Orientation</b>										
<b>G6:</b> M23 12 pins CW										
<b>R:</b> radial										
<b>G8:</b> M23 12 pins CCW										
<b>R:</b> radial										
<b>GP:</b> PUR cable 12 wires										
<b>R:</b> radial cable (example: <b>050</b> = 5m)										
<b>G3:</b> PVC cable 8 wires										
<b>R:</b> radial cable (example: <b>050</b> = 5m)										
<b>Anti-rotation</b>										
<b>**DX**:</b> 9445/044										
<b>****:</b> No antirotation										



## AGENCY APPROVALS & CERTIFICATIONS



### BEI Sensors SAS

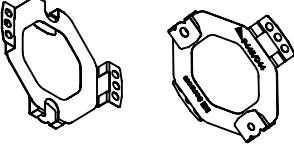
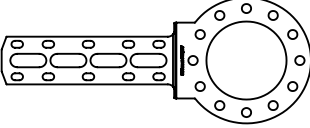
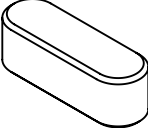
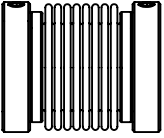
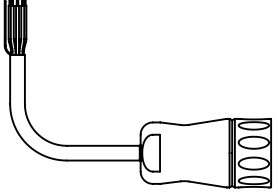
Espace Européen de l'Entreprise  
9, rue de Copenhague  
B.P. 70044 Schiltigheim  
F 67013 Strasbourg Cedex

Tél : +33 (0)3 88 20 80 80  
Fax : +33 (0)3 88 20 87 87  
Mail : info@beisensors.com  
Web : www.beisensors.com

## GENERAL NOTES

**For a safe installation according to the required safety level needed in the application, refer to the user safety manual - during the installation on the equipment, a quick installation guide is provided with each encoder.**

## ACCESORIES

<p><b>Safety Rated Flexmount (hardware included)</b></p> 	<p>M9445/044</p>	<p>DS05H</p>
<p><b>Safety Encoder Tether Arm (hardware included)</b></p> 	<p>M9445/047</p>	<p>DS05H</p>
<p><b>Metal shaft key 4mm square by 12mm long</b></p> 	<p>9435/006</p>	<p>DSM5H</p>
<p><b>Safety Bellows Couplings</b> For 10mm shaft</p> 	<p>9404/S/10-10</p>	<p>DSM5H</p>
<p><b>Standard Mating Connector</b> 2m, 5m, 7m, 10m Mating Cable Assembly</p> 	<p>9416/076-8230/020-G6-020 = 2m            9416/076-8230/020-G6-050 = 5m            9416/076-8230/020-G6-070 = 7m            9416/076-8230/020-G6-100 = 10m</p> <p>For use with M23 connector type G6</p>	<p>DS05H DSM5H</p>

Made in France

Page 6

Sensata Technologies, Inc. ("Sensata") data sheets are solely intended to assist designers ("Buyers") who are developing systems that incorporate Sensata products (also referred to herein as "components"). Buyer understands and agrees that Buyer remains responsible for using its independent analysis, evaluation and judgment in designing Buyer's systems and products. Sensata data sheets have been created using standard laboratory conditions and engineering practices. Sensata has not conducted any testing other than that specifically described in the published documentation for a particular data sheet. Sensata may make corrections, enhancements, improvements and other changes to its data sheets or components without notice.

Buyers are authorized to use Sensata data sheets with the Sensata component(s) identified in each particular data sheet. HOWEVER, NO OTHER LICENSE, EXPRESS OR IMPLIED, BY ESTOPPEL OR OTHERWISE TO ANY OTHER SENSATA INTELLECTUAL PROPERTY RIGHT, AND NO LICENSE TO ANY THIRD PARTY TECHNOLOGY OR INTELLECTUAL PROPERTY RIGHT, IS GRANTED HEREIN. SENSATA DATA SHEETS ARE PROVIDED "AS IS". SENSATA MAKES NO WARRANTIES OR REPRESENTATIONS WITH REGARD TO THE DATA SHEETS OR USE OF THE DATA SHEETS, EXPRESS, IMPLIED OR STATUTORY, INCLUDING ACCURACY OR COMPLETENESS. SENSATA DISCLAIMS ANY WARRANTY OF TITLE AND ANY IMPLIED WARRANTIES OF MERCHANTABILITY, FITNESS FOR A PARTICULAR PURPOSE, QUIET ENJOYMENT, QUIET POSSESSION, AND NON-INFRINGEMENT OF ANY THIRD PARTY INTELLECTUAL PROPERTY RIGHTS WITH REGARD TO SENSATA DATA SHEETS OR USE THEREOF.

All products are sold subject to Sensata's terms and conditions of sale supplied at [www.sensata.com](http://www.sensata.com) SENSATA ASSUMES NO LIABILITY FOR APPLICATIONS ASSISTANCE OR THE DESIGN OF BUYERS' PRODUCTS. BUYER ACKNOWLEDGES AND AGREES THAT IT IS SOLELY RESPONSIBLE FOR COMPLIANCE WITH ALL LEGAL, REGULATORY AND SAFETY-RELATED REQUIREMENTS CONCERNING ITS PRODUCTS, AND ANY USE OF SENSATA COMPONENTS IN ITS APPLICATIONS, NOTWITHSTANDING ANY APPLICATIONS-RELATED INFORMATION OR SUPPORT THAT MAY BE PROVIDED BY SENSATA.

Mailing Address: Sensata Technologies, Inc., 529 Pleasant Street, Attleboro, MA 02703, USA.

## CONTACT US

### Americas

+1 (800) 350 2727  
sensors@sensata.com

### Europe, Middle East & Africa

+33 (3) 88 20 8080  
position-info.eu@sensata.com

### Asia Pacific

sales.isasia@list.sensata.com  
 China +86 (21) 2306 1500  
 Japan +81 (45) 277 7117  
 Korea +82 (31) 601 2004  
 India +91 (80) 67920890  
 Rest of Asia +886 (2) 27602006  
 ext 2808

## X-ON Electronics

Largest Supplier of Electrical and Electronic Components

*Click to view similar products for [Encoders](#) category:*

*Click to view products by [Sensata](#) manufacturer:*

Other Similar products are found below :

[6-1393048-0](#) [6-1393048-5](#) [62AG22-H5-P](#) [62B22-LP-030C](#) [63K25](#) [63K32](#) [63KS100](#) [63KS64](#) [63R100](#) [63R50-020](#) [63RS256-060](#) [700-09-36](#)  
[RE12D300-201-1](#) [1393047-3](#) [2-1393047-2](#) [T101-5C2-111-M1](#) [T101-5C3-111-M1](#) [T101-5C4-111-M1](#) [385001M0439](#) [385001M0216](#)  
[V23401H1409B101](#) [V23401T8002B802](#) [V23401U6019B609](#) [E69-1](#) [E69DF10](#) [E69-FCA](#) [62B11-LP-100S](#) [62B11-LPP-040C](#) [62N11-P](#)  
[62S22-H9-120S](#) [62S30-L0-200C](#) [62V15-02-080S](#) [63K64](#) [63KS100-040](#) [63R64-050](#) [63RS64](#) [700-16-16](#) [V23401D3002B301](#)  
[V23401D1001B102](#) [3-1393048-1](#) [63KS128](#) [63KS256](#) [1-1879391-5](#) [GH65C11-N-SO](#) [62S15-M0-P](#) [1393047-1](#) [E69-FCA02](#) [E69-FCA04](#)  
[E69-DF20](#) [E69-DF2](#)