



# FSP10

## Flow switch for direct switching of pump

- Direct switching of pumps up to 4A inductive
- 0.6 l/min or 3.0 l/min turn on flow rate
- Automatic shut down on flow stop
- Supply and pump electrical connections terminated within case with cable glands at entry
- 1" BSP pipe connections

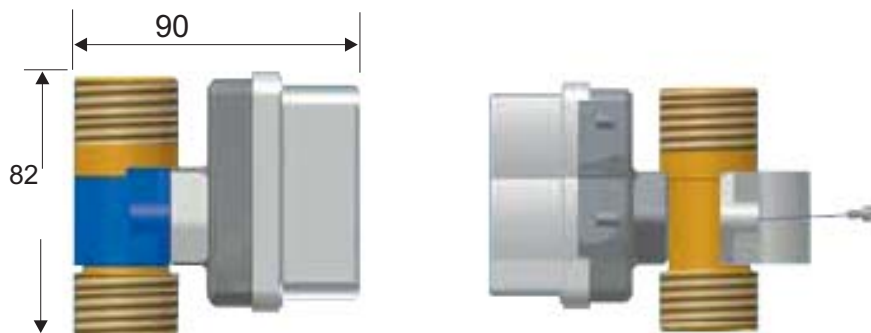


Technical Specification			FSP10A06	FSP10A30
Flow Tube Material				Brass
Enclosure material				Polyamide
Enclosure rating				IP54
Start up flow rate	Q. min	l/min	0.6	3.0
Max flow rate	Q max	l/min		80
Max Pressure	P max	bar		8
Max Temperature	T max	°C		85
Pipe connections		BSP		1"
Electrical Specification				
Supply Voltage	Vac	250		
Switching Voltage Max	Vac	250		
Switching Power Max	kW	1		
Switching Current Max	A	10 for resistive load 4A for motor load		

The FSP10 is designed for directly controlling an electric pump that is providing increased pressure or flow within water systems that are gravity fed from storage tanks. The device has to be fitted in the pipe above the pump.

The FSP10 starts up the pump when the flow rate through the device exceeds 0.6 l/min, so giving an increased flow and pressure, dependant on the pump capacity. A flow of less than 0.6 l/min, or 3.0 l/min depending on version, whether due to a lack of supply (e.g. tank empty) or to a decrease in demand (e.g. tap closing), will turn the pump off again.

Standard Parts	On flow rate	Max Power	Max Pump current
FSP10A06	0.6l/min	750	4A
FSP10A30	3.0 l/min	750	4A



Cynergy3 Components Ltd.  
7 Cobham Road  
Ferndown Industrial Estate  
Wimborne, Dorset BH21 7PE  
Telephone +44 (0) 1202 897969

Email: sales@cynergy3.com

ISO9001 CERTIFIED

www.cynergy3.com



# FSP10

## Flow switch for direct switching of pump

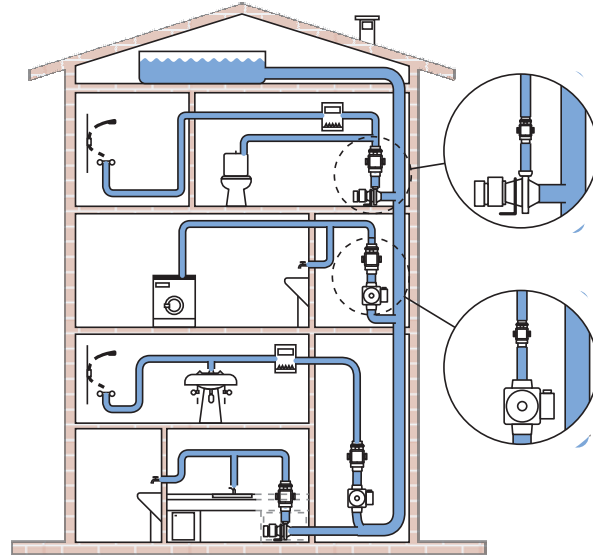
The flow switch must be mounted vertically with the flow direction upwards. Pipe connection is G1" (1" BSP). The device relies on the flow of liquid working in opposition to gravity to operate the relay.

The liquid flow moves a plunger inside the brass flow tube, when the flow increases beyond the minimum specified level. A magnet inside the plunger closes a magnetic switch in the control circuit, so causing this to operate the output relay. The output relay will be de-energised, if the flow drops below the specified level and the plunger has returned to the lower position.

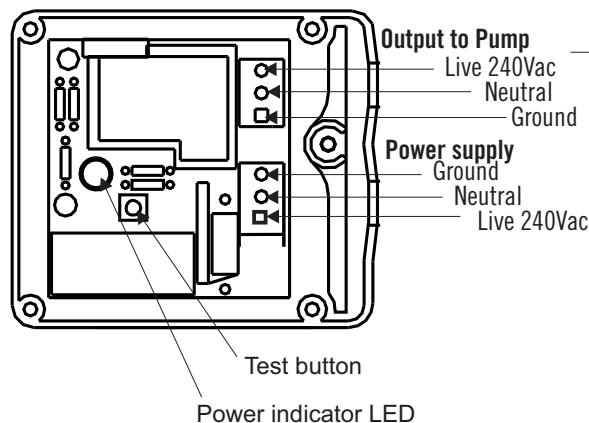
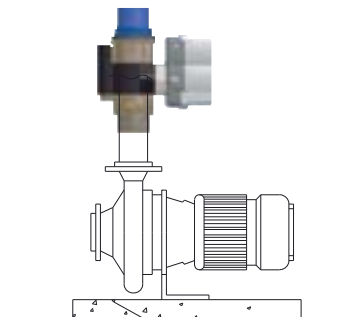
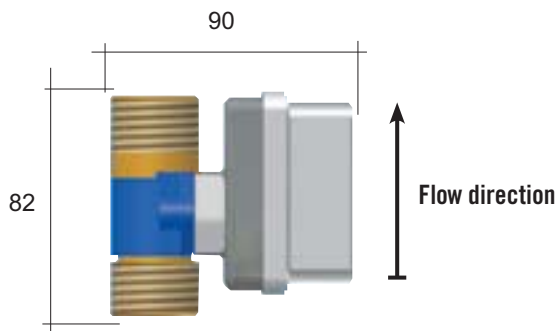
The output relay will be energised, if the test button is pushed.

The unit can only operate on a supply voltage of 240Vac.

The output is a SPCO electromechanical relay with contacts rated to 10(4) A 250Vac.



Only for vertical installation



Cynergy3 Components Ltd.  
7 Cobham Road  
Ferndown Industrial Estate  
Wimborne, Dorset BH21 7PE  
Telephone +44 (0) 1202 897969

Email: sales@cynergy3.com

ISO9001 CERTIFIED

www.cynergy3.com

## X-ON Electronics

Largest Supplier of Electrical and Electronic Components

*Click to view similar products for [Flow Sensors](#) category:*

*Click to view products by [Sensata](#) manufacturer:*

Other Similar products are found below :

[NEVO600 INPUT CABLE SET](#) [SINGLE OUTPUT CABLE SET](#) [FS1010](#) [AWM43300VH](#) [AWM730P1](#) [HAFBLF0400C5AX3](#) [D6F-50A61-000](#) [FS1010-C01](#) [HAFBLF0100C4AX5](#) [HAFBLF0050C4AX3](#) [D6F-05N7-000](#) [2066.3101](#) [AWM5104VN-IT](#) [FPP800KIT1](#) [ATS-FM-22](#) [ATS-FM-34](#) [ATS-FM-44](#) [ATS-FM-M](#) [VSR-3](#) [81501025](#) [81525101](#) [81529901](#) [SSV66A141S1GP](#) [FSU12LF](#) [FSU34A](#) [FSU34LF](#) [FSU50A](#) [FSU50LF](#) [FSU75A](#) [FSU75LF](#) [AWM1200V](#) [AWM2100V](#) [AWM2100VH](#) [AWM2150V](#) [AWM2200V](#) [AWM2300V](#) [AWM3100V](#) [AWM3150V](#) [AWM3200V](#) [AWM3300V](#) [AWM3303V](#) [AWM42150VH](#) [AWM42300V](#) [AWM43300V](#) [AWM5101VA](#) [AWM5101VN](#) [AWM5102VN](#) [AWM5103VN](#) [AWM5104VA](#) [AWM5104VC](#)