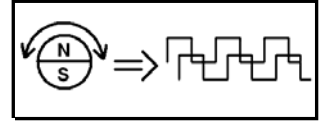
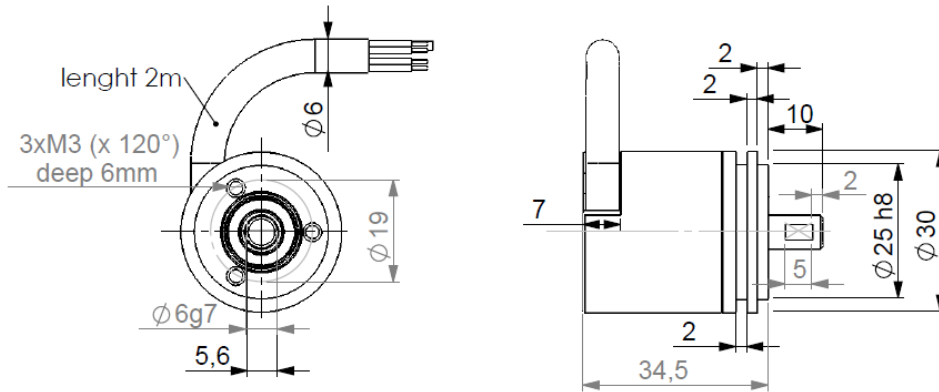


MAGNETIC INCREMENTAL ENCODERS, HMM3 RANGE

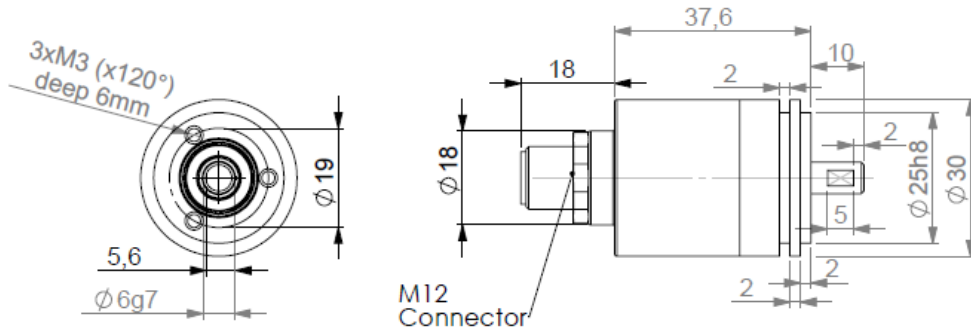
- With its 30mm size and a 6mm solid shaft, HMM3 encoder characterizes itself by its strong robustness of the mechanical and electro-magnetic parts, it's the most compact really industrial encoder with a solid shaft.
- Application fields : agriculture, construction, forestry vehicles, medical applications, solar panels...
- Magnetic technology, contactless.
- Available resolution up to 1024 pulses per revolution.
- Universal supply 5 to 30Vdc available.
- Available in option : Extended temperature range (up to -40..+125°C), IP67/IP69K...



HMM3 connection G3D ("diagonal" output")



HMM3 connection GMA (axial M12 8 pinouts)



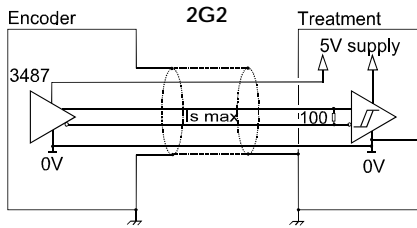
MECHANICAL CHARACTERISTICS

Material	Shaft: stainless steel	Isolation	500Veff
	Cover: aluminium	EMC	EN 61000-6-4
	Body: aluminium		EN 61000-6-2
Bearings	696 series	Operating temperature	- 40... + 100 °C (at 5Vdc)
Maximal loads	Axial : 20 N	Storage temperature	- 40... + 100 °C
	Radial : 50 N	Protection	IP 65
Shaft inertia	$\leq 0,1 \cdot 10^{-6} \text{ kg} \cdot \text{m}^2$	Shocks (EN60068-2-27)	$\leq 2000 \text{ m} \cdot \text{s}^{-2}$ (during 6 ms)
Torque	$\leq 1 \cdot 10^{-3} \text{ N} \cdot \text{m}$	Vibrations (EN60068-2-6)	$\leq 200 \text{ m} \cdot \text{s}^{-2}$ (55 ... 2 000 Hz)
Nominal max. speed	6 000 min^{-1}	Theoretical mechanical lifetime 10^9 turns ($F_{\text{axial}} / F_{\text{radial}}$)	
Encoder weight (approx.)	0,150 kg	20 N / 50 N	15

MAGNETIC INCREMENTAL ENCODERS, HHM3 RANGE

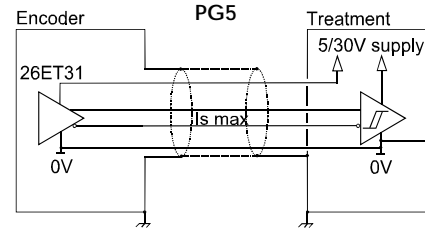


OUTPUT ELECTRONIC / POWER SUPPLY



2G2 electronic (100kHz)

Supply : 5Vdc \pm 10%
Cons. without load : 40mA max
Current per channel : 40mA max
0 max ($I_s=20mA$) : $V_{ol} = 0,5Vdc$
1 min ($I_s=20mA$) : $V_{oh} = 2,5Vdc$



PG5 electronic(100kHz)

Supply : 5 to 30Vdc
Cons. without load : 40mA max
Current per channel : 40mA max
0 max ($I_s=20mA$) : $V_{ol} = 0,5Vdc$
1min ($I_s=20mA$) : $V_{oh} = V_{cc}-3Vdc$

Protection against short circuits and inversion of polarity for the electronic PG5

STANDARD CONNECTION

		-	+	A	B	0	A/	B/	0/	Ground
G3	PVC cable, 8 wires	WH white	BN brown	GN green	YE yellow	GY grey	PK pink	BU blue	RD red	Main shield
GM	M12 connector 8 pinouts	1	2	3	4	5	6	7	8	Connector body

ORDERING REFERENCE (Contact the factory for special versions , ex : stainless steel version, connections...)

	Shaft \varnothing	Supply Output stage	Signals	Resolution	Connection	Connection orientation
HHM3	06 : 6mm	2G2 : 5Vdc TTL / RS422 output	9 : A, A/, B, B/, 0, 0/	1024 max	GM : M12 8 pinouts	A : axial
		PG5 : 5 to 30Vdc Push-pull output (TTL / RS422 available if encoder supply is 5Vdc)			G3 : PVC cable 8 wires	D020 : diagonal cable 2m
Ex: HHM3_	06 //	PG5	9 //	01024 //	G3	A020

Available resolutions : 32 64 128 256 1024

Made in FRANCE

Datasheets provided by Sensata Technologies, Inc., its subsidiaries and/or affiliates (“Sensata”) are solely intended to assist third parties (“Buyers”) who are developing systems that incorporate Sensata products (also referred to herein as “components”). Buyer understands and agrees that Buyer remains responsible for using its independent analysis, valuation, and judgment in designing Buyer’s systems and products. Sensata datasheets have been created using standard laboratory conditions and engineering practices. Sensata has not conducted any testing other than that specifically described in the published documentation for a particular datasheet. Sensata may make corrections, enhancements, improvements, and other changes to its datasheets or components without notice.

Buyers are authorized to use Sensata datasheets with the Sensata component(s) identified in each particular datasheet. HOWEVER, NO OTHER LICENSE, EXPRESS OR IMPLIED, BY ESTOPPEL OR OTHERWISE TO ANY OTHER SENSATA INTELLECTUAL PROPERTY RIGHT, AND NO LICENSE TO ANY THIRD PARTY TECHNOLOGY OR INTELLECTUAL PROPERTY RIGHT, IS GRANTED HEREIN. SENSATA DATASHEETS ARE PROVIDED “AS IS”. SENSATA MAKES NO WARRANTIES OR REPRESENTATIONS WITH REGARD TO THE DATASHEETS OR USE OF THE DATASHEETS, EXPRESS, IMPLIED, OR STATUTORY, INCLUDING ACCURACY OR COMPLETENESS. SENSATA DISCLAIMS ANY WARRANTY OF TITLE AND ANY IMPLIED WARRANTIES OF MERCHANTABILITY, FITNESS FOR A PARTICULAR PURPOSE, QUIET ENJOYMENT, QUIET POSSESSION, AND NON-INFRINGEMENT OF ANY THIRD PARTY INTELLECTUAL PROPERTY RIGHTS WITH REGARD TO SENSATA DATASHEETS OR USE THEREOF.

All products are sold subject to Sensata’s terms and conditions of sale supplied at www.sensata.com. SENSATA ASSUMES NO LIABILITY FOR APPLICATIONS ASSISTANCE OR THE DESIGN OF BUYERS’ PRODUCTS. BUYER ACKNOWLEDGES AND AGREES THAT IT IS SOLELY RESPONSIBLE FOR COMPLIANCE WITH ALL LEGAL, REGULATORY, AND SAFETY-RELATED REQUIREMENTS CONCERNING ITS PRODUCTS, AND ANY USE OF SENSATA COMPONENTS IN ITS APPLICATIONS, NOTWITHSTANDING ANY APPLICATIONS-RELATED INFORMATION OR SUPPORT THAT MAY BE PROVIDED BY SENSATA.

Mailing Address: Sensata Technologies, Inc., 529 Pleasant Street, Attleboro, MA 02703, USA

CONTACT US

Regional head offices:

United States of America

Sensata Technologies

Attleboro, MA

Phone: 508-236-3800

E-mail: support@sensata.com

Netherlands

Sensata Technologies Holland B.V.

Hengelo

Phone: +31 74 357 8000

E-mail: support@sensata.com

China

Sensata Technologies China Co., Ltd.

Shanghai

Phone: +8621 2306 1500

E-mail: support@sensata.com

Copyright © 2023 Sensata Technologies, Inc.

X-ON Electronics

Largest Supplier of Electrical and Electronic Components

Click to view similar products for [Encoders](#) category:

Click to view products by [Sensata](#) manufacturer:

Other Similar products are found below :

[6-1393048-0](#) [6-1393048-5](#) [62AG22-H5-P](#) [700-09-36](#) [1393047-3](#) [ECW1J-C36-SE0/077L](#) [2-1393047-2](#) [25LB22-G-Z](#) [T101-5C3-111-M1](#)
[385001M0439](#) [385001M0216](#) [V23401H1409B101](#) [V23401T8002B802](#) [V23401U6019B609](#) [62B11-LPP-040C](#) [62HS22-H0-040S](#) [700-16-16](#)
[700-24-24](#) [V23401D1001B102](#) [3-1393048-1](#) [288T220R161A2](#) [1-1879391-5](#) [GH65C11-N-SO](#) [1393047-1](#) [702-01-24](#) [703-20-00](#) [62V22-02-P](#)
[62D15-02-140S](#) [61K128-075](#) [EC21C1520402](#) [62AG18-L5-020C](#) [E6F-AG5C 720 2M](#) [62B22-SPP-030C](#) [60016-005](#) [31215-003](#) [01039-2677](#)
[ACZ11BR2E-20FD1-20CZ-0546](#) [DXM510-2000S002](#) [01002-2133](#) [01002-9375](#) [01002-9572](#) [01026-476](#) [01039-1102](#) [01039-1981](#) [01070-](#)
[1315](#) [01072-513](#) [01080-056](#) [01084-089](#) [01094-017](#) [01102-031](#)