

IPS-M12 Series

Industrial Pressure Sensor - Ceramic - with M12 4-Pin Connector



- Piezo-resistive thick film ceramic sensor
- Stainless steel body
- Accuracy $\leq \pm 0.25\%$ FS BFSL
- 0-5V or 4-20mA output
- Pressure ranges from -1 to 400 bar
- M12 4-pin connector

The IPS-M12 series is suitable for use in a wide range of industrial applications. The probe uses a piezo-resistive ceramic sensor, giving excellent media compatibility within a stainless steel housing

The electronics incorporate a microprocessor based amplifier, requiring no adjusting and giving stable electronics, especially industrial applications..

Each device is temperature compensated, calibrated and supplied with a traceable serial number and calibration data.*

Mating cable and plug assemblies are available - see datasheet M12 Cable Set Series

Electrical Protection

Supply reverse polarity	No damage/no function
Electromagnetic compatibility	CE Compliant

Performance

Accuracy (Non-Linearity & Hysteresis)	$\leq \pm 0.25\%$ / FS (BFSL)	
Setting Errors (offsets)	2-wire	Zero & Full Scale, $\leq \pm 0.5\%$ / FS
	3-wire	Zero & Full Scale, $\leq \pm 0.5\%$ / FS

Mechanical Stability

Shock	100g / 11s
Vibration	10g RMS (20 - 2000Hz)

Material Specifications

Housing	316L Stainless Steel
"O" ring seals	Viton
Diaphragm	Ceramic Al ₂ O ₃ 96%
Media wetted parts	Housing & connection, "O" ring seal, diaphragm
Weight	Approx 100g
Installation position	Any
Operational Life	> 100x 10 ⁶ cycles
Insulation resistance	> 50MΩ at 50Vdc
Environmental protection	IP67 (when used with a similarly rated connector)

Temperatures & Thermal Effects

Media Temperature	-40°C to +135°C
Ambient Temperature	-20°C to +80°C
Storage temperature	-40°C to +125°C
Compensated temperature range	+20°C to +80°C
Thermal Zero Shift (TZS)	$\leq \pm 0.04\%$ /FS/°C
Thermal Span Shift	$\leq \pm 0.015\%$ /°C

Pressure Ranges and Passive mV/V Outputs

Nominal Pressure, Gauge, bar	1	2	5	10	20	50	100	250	400
Compound range, bar	-0.5 to 0	-0.5 to 2	-1 to 5	-1 to 9	-1 to 19	-1 to 24			
Permissible Overpressure, bar	2	4	10	20	40	100	200	400	650
Burst Pressure, bar	4	5	12	25	50	120	250	500	650

Output Signals and Supply Voltages

Wire system	Output	Supply Voltage	Connection Pin Nos		
2-wire	4-20mA	9-32Vdc	+ve Supply Pin 1	-ve Supply Pin 2	Ground Earth Pin
3-wire	0-5Vdc	9-32Vdc	+ve Supply Pin 1	-ve Supply Pin 2	Earth Pin 4
			Output Pin 3		

*Calibration data is supplied as a sticker affixed to the product packaging - do not discard

Cynergy3 Components Ltd.
7 Cobham Road
Ferndown Industrial Estate
Wimborne, Dorset BH21 7PE
Telephone +44 (0) 1202 897969

Email: sales@cynergy3.com



ISO9001 CERTIFIED

IPS-M12 2018

www.cynergy3.com

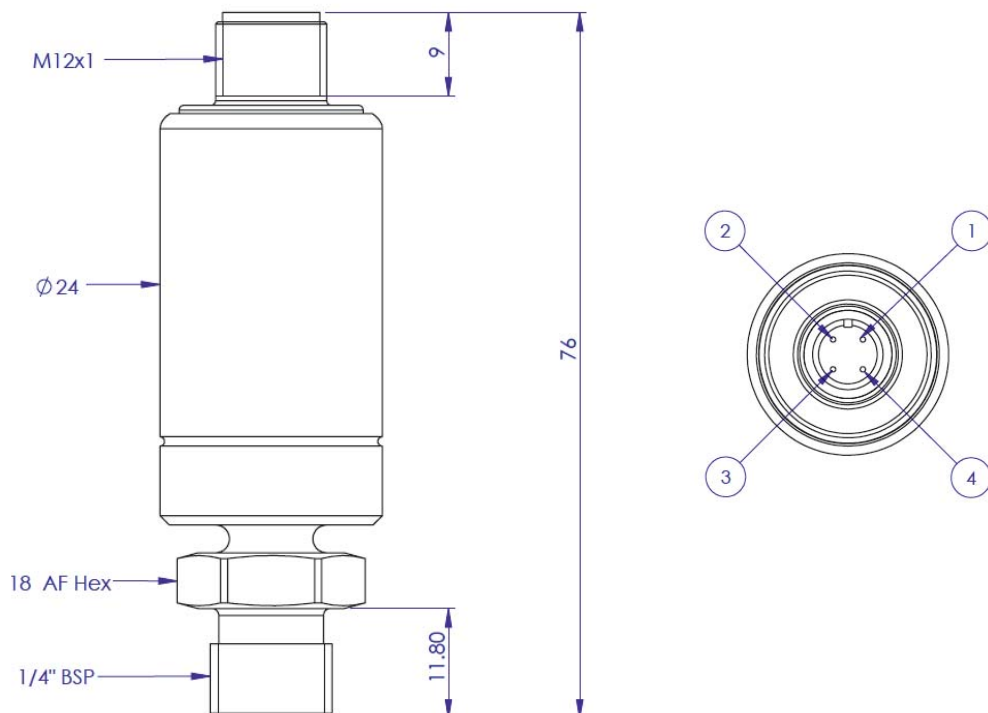
IPS-M12 Series

Industrial Pressure Sensor - Ceramic - with M12 4-Pin Connector

Part Number	Pressure Rating	Output
IPS-G1000-5M12	0 - 1 Bar G	4 - 20mA
IPS-G1000-6M12	0 - 1 Bar G	0 - 5V
IPS-G6000-5M12	0 - 6 Bar G	4 - 20mA
IPS-G6000-6M12	0 - 6 Bar G	0 - 5V
IPS-GM1P9-5M12	-1 to +9 Bar G	4 - 20mA
IPS-GM1P9-6M12	-1 to +9 Bar G	0 - 5V
IPS-G1002-5M12	0 - 10 Bar G	4 - 20mA
IPS-G1002-6M12	0 - 10 Bar G	0 - 5V
IPS-G1602-5M12	0 - 16 bar G	4-20mA
IPS-G1602-6M12	0 - 16 bar G	0-5V
IPS-C0184-5M12	-1 to +24 Bar G	4 - 20mA
IPS-C0184-6M12	-1 to +24 Bar G	0 - 5V
IPS-G2502-5M12	0 - 25 Bar G	4 - 20mA
IPS-G2502-6M12	0 - 25 Bar G	0 - 5V
IPS-G4002-5M12	0 - 40 Bar G	4 - 20mA
IPS-G4002-6M12	0 - 40 Bar G	0 - 5V
IPS-G1003-5M12	0 - 100 Bar SG*	4 - 20mA
IPS-G1003-6M12	0 - 100 Bar SG*	0 - 5V
IPS-G2503-5M12	0 - 250 Bar SG*	4 - 20mA
IPS-G2503-6M12	0 - 250 Bar SG*	0 - 5V
IPS-G4003-5M12	0 - 400 Bar SG*	4 - 20mA
IPS-G4003-6M12	0 - 400 Bar SG*	0 - 5V

* sealed gauge

Mechanical Dimensions



Cynergy3 Components Ltd.
7 Cobham Road
Ferndown Industrial Estate
Wimborne, Dorset BH21 7PE
Telephone +44 (0) 1202 897969

Email: sales@cynergy3.com

ISO9001 CERTIFIED

© 2018 Cynergy3 Components, All Rights Reserved. Specifications are subject to change without prior notice. Cynergy3 Components and the Cynergy3 Components logo are trademarks of Cynergy3 Components Limited.

www.cynergy3.com

X-ON Electronics

Largest Supplier of Electrical and Electronic Components

Click to view similar products for [Industrial Pressure Sensors](#) category:

Click to view products by [Sensata](#) manufacturer:

Other Similar products are found below :

[75380-05](#) [76053-00000300-01](#) [76053-00000300-05](#) [76061-00000015-01](#) [76062-B00000350-01](#) [76063-00000350-05](#) [76083-05000500-01](#)
[76311-05](#) [76577-00000070-01](#) [76584-M00000100-24](#) [77343-24.0H2-01](#) [77343-25.0H2-01](#) [78291-B00000060-01](#) [78303-B00000400-01](#)
[78303-B00000400-05](#) [78316-B00000030-01](#) [78353-B00000020-05](#) [78665-00000014-05](#) [78677-B00000070-05](#) [78678-00000040-01](#) [79279-](#)
[00000060-01](#) [79296-B00000350-01](#) [79322-00250035-01](#) [79614-30.0H2-14](#) [79670-00000090-15](#) [79700-00002750-01](#) [79917-B00000280-01](#)
[80569-00700100-01](#) [81509081](#) [81739-B00000900-01](#) [81807-B00000020-01](#) [MLH010BST01A](#) [MLH010BST14A](#) [MLH025BGC13B](#)
[MLH025BSCDJ1292](#) [MLH025BSCDJ1303](#) [MLH750PSCDJ1245](#) [82903-B00000020-01](#) [83250-02500600-05](#) [83271-00000040-04](#) [83278-](#)
[B00000200-21](#) [83286-00000150-01](#) [83299-00000150-05](#) [83303-00000600-01](#) [83305-00001350-01](#) [83330-00000100-01](#) [83349-00001470-24](#)
[83350-04.0HG-05](#) [83350-15.0H2-05](#) [83357-00000030-21](#)