

IPSLAT series

Low Range, Intrinsically Safe Pressure Sensor



Approvals:-
ATEX / IECEx
II 1G Ex ia IIC T4 Ga (Ta -see schedule)



- **Piezo-resistive sensor**
- **Stainless steel body & diaphragm**
- **Accuracy $\leq \pm 0.25\%$ FS BFSL**
- **Pressure ranges from 50 mbar to 1000 mbar**
- **Gauge or Absolute pressure reference**

The IPSLAT is suitable for use in a wide range of applications in hazardous areas. The probe uses a piezo-resistive silicon sensor, giving excellent media compatibility within an oil filled 316L stainless steel housing

The electronics incorporate a microprocessor based amplifier, requiring no adjusting and giving stable electronics, especially in high vibration/shock applications.

Each device is temperature compensated, calibrated and supplied with a traceable serial number and calibration data.

Performance

Accuracy (Non-Linearity & Hysteresis) $\leq \pm 0.25\%$ / FS (BFSL) for gauge, $\leq \pm 0.5\%$ for Absolute
Setting Errors (offsets) 2-wire Zero & Full Scale, $\leq \pm 0.5\%$ / FS

Options available on the IPSLAT pressure transmitter.

Pressure range
Pressure reference (G or Abs)

Material Specifications

Housing	316 Stainless Steel
“O” ring seals	Viton
Diaphragm	316L Stainless Steel
Media wetted parts	Housing & connection, “O” ring seal, diaphragm

Miscellaneous

Weight	Approx 100g
Installation position	Any, small zero shift when tilted through 90°
Operational Life	> 100x 10 ⁶ cycles
Insulation resistance	> 50MΩ at 50Vdc

Electrical Protection

Supply reverse polarity	No damage/no function
Electromagnetic compatibility	CE Compliant

Mechanical Stability

Shock	100g / 11s
Vibration	10g RMS (20 - 2000Hz)

Environment & Thermal Effects

Ambient Temperature Range	-20°C to +75°C
Storage temperature	-40°C to +80°C
Compensated temperature range	+20°C to +80°C
Thermal Zero Shift (TZS)	$\leq \pm 0.04\%$ /FS/°C
Thermal Span Shift	$\leq -0.015\%$ /°C
Permissible environment	Zone 0

Cynergy3 Components Ltd.
7 Cobham Road
Ferndown Industrial Estate
Wimborne, Dorset BH21 7PE
Telephone +44 (0) 1202 897969
Email: sales@cynergy3.com
IPSLAT 2017

ISO9001 CERTIFIED



www.cynergy3.com

IPSLAT series

Low Range, Intrinsically Safe Pressure Sensor

Pressure Ranges

Nominal Pressure, Gauge, mbar	50	100	250	500	750	1000
Nominal Pressure, Absolute mbar				500	750	1000
Permissible Overpressure mbar	2 bar	2 bar	2 bar	5 bar	5 bar	5 bar

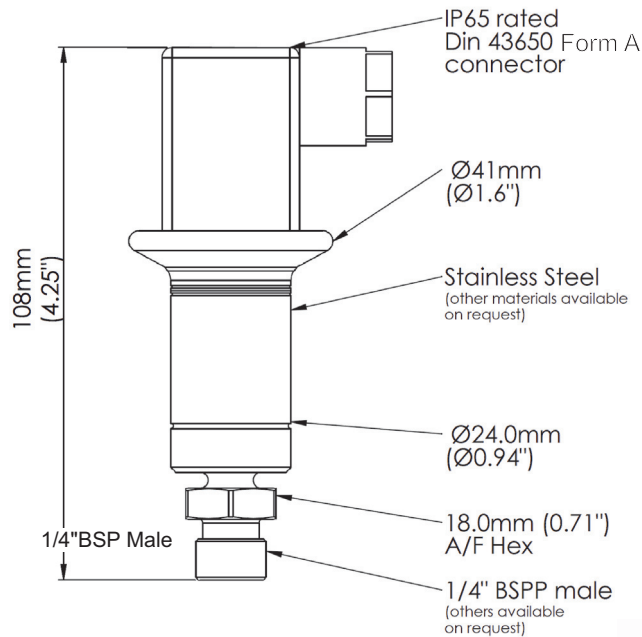
Output Signal and Supply Voltage

Wire system	Output	Supply Volts	Connection	Pin No.
2-wire	4-20mA	10-28Vdc	+ve Supply	Pin 1
			-ve Supply	Pin 2
			Ground	Earth pin

Part No	Pressure Range
IPSLAT-G0050-5	0 - 50mbar G
IPSLAT-G0100-5	0 - 100mbar G
IPSLAT-G0250-5	0 - 250mbar G
IPSLAT-G0500-5	0 - 500mbar G
IPSLAT-G0750-5	0 - 750mbar G
IPSLAT-G1000-5	0 - 1000mbar G
IPSLAT-A0500-5	0 - 500mbar Abs
IPSLAT-A0750-5	0 - 750mbar Abs
IPSLAT-A1000-5	0 - 1000mbar Abs

Custom versions can be made for particular applications

Mechanical Dimensions



Made in the UK

ISO9001 CERTIFIED

www.cynergy3.com

X-ON Electronics

Largest Supplier of Electrical and Electronic Components

Click to view similar products for [Industrial Pressure Sensors](#) category:

Click to view products by [Sensata](#) manufacturer:

Other Similar products are found below :

[75380-05](#) [76053-00000300-01](#) [76053-00000300-05](#) [76061-00000015-01](#) [76062-B00000350-01](#) [76063-00000350-05](#) [76083-05000500-01](#)
[76311-05](#) [76577-00000070-01](#) [76584-M00000100-24](#) [77343-24.0H2-01](#) [77343-25.0H2-01](#) [78291-B00000060-01](#) [78303-B00000400-01](#)
[78303-B00000400-05](#) [78316-B00000030-01](#) [78353-B00000020-05](#) [78665-00000014-05](#) [78677-B00000070-05](#) [78678-00000040-01](#) [79279-](#)
[00000060-01](#) [79296-B00000350-01](#) [79322-00250035-01](#) [79614-30.0H2-14](#) [79670-00000090-15](#) [79700-00002750-01](#) [79917-B00000280-01](#)
[80569-00700100-01](#) [81509081](#) [81739-B00000900-01](#) [81807-B00000020-01](#) [MLH010BST01A](#) [MLH010BST14A](#) [MLH025BGC13B](#)
[MLH025BSCDJ1292](#) [MLH025BSCDJ1303](#) [MLH750PSCDJ1245](#) [82903-B00000020-01](#) [83250-02500600-05](#) [83271-00000040-04](#) [83278-](#)
[B00000200-21](#) [83286-00000150-01](#) [83299-00000150-05](#) [83303-00000600-01](#) [83305-00001350-01](#) [83330-00000100-01](#) [83349-00001470-24](#)
[83350-04.0HG-05](#) [83350-15.0H2-05](#) [83357-00000030-21](#)