

IPSLU-M12 series

Low Range Industrial Pressure Sensor with M12 4-Pin connector



- Piezo-resistive sensor
- Stainless steel body & diaphragm
- Accuracy $\leq \pm 0.25\%$ FS BFSL
- Various outputs including Volts and mA.
- Pressure ranges from 1 psi to 15 psi
- Gauge or Absolute pressure reference
- 1/4"NPT process connection

Options available on the IPSLU-M12 pressure transmitter.

Pressure range
 Output type
 Mating cable and plug assemblies are available - see datasheet M12 Cable Set Series

Suitable applications

HVAC	Mechanical engineering
Pneumatics	Environmental engineering
Rainwater harvesting	Automotive testing
Agricultural machinery	Tank gauging
Laboratory testing	IBC, IBC Tote or pallet tank

The IPSLU-M12 is suitable for use in a wide range of applications. The probe uses a piezo-resistive silicon sensor, giving excellent media compatibility within an oil filled 316L stainless steel housing

The electronics incorporate a microprocessor based amplifier, requiring no adjusting and giving stable electronics, especially in high vibration/shock applications.

Each device is temperature compensated, calibrated and supplied with a traceable serial number and calibration data.*

Custom versions can be made for particular applications.

Performance

Accuracy (Non-Linearity & Hysteresis)	$\leq \pm 0.25\%$ / FS (BFSL) for gauge reference	
Setting Errors (offsets)	2-wire	Zero & Full Scale, $\leq \pm 0.5\%$ / FS
	3-wire	Zero & Full Scale, $\leq \pm 0.5\%$ / FS
Permissible Load	2-wire	$R_{max} = [(Supply-9min)/0.02]\Omega$
	3-wire	$R_{min} = 10k\Omega$
Influence Effects	Supply	$< 0.005\%$ FS / 1V
	Load	0.05% FSO / k Ω

Material Specifications

Housing	316L Stainless Steel
"O" ring seals	Viton
Diaphragm	316L Stainless Steel
Media wetted parts	Housing & connection, "O" ring seal, diaphragm

Miscellaneous

Current consumption	2 -wire Limits at 28mA 3-wire Typical 6mA
Weight	Approx 3.5oz (100g)
Installation position	Any, small zero shift when tilted through 90°
Operational Life	$> 100 \times 10^6$ cycles
Insulation resistance	$> 50M\Omega$ at 50Vdc
Environmental protection	IP67 (only when used with a similarly rated connector)

Electrical Protection

Supply reverse polarity	No damage/no function
Electromagnetic compatibility	CE Compliant

Mechanical Stability

Shock	100g / 11s
Vibration	10g RMS (20 - 2000Hz)

Temperatures & Thermal Effects

Media Temperature	-40°C to +125°C
Ambient Temperature	-20°C to +80°C
Storage temperature	-40°C to +125°C
Compensated temperature range	+20°C to +80°C
Thermal Zero Shift (TZS)	$\leq \pm 0.04\%$ /FS/°C
Thermal Span Shift	$< -0.015\%$ /°C

*Calibration data is supplied as a sticker affixed to the product packaging - do not discard

Cynergy3 Components Ltd.
 7 Cobham Road
 Ferndown Industrial Estate
 Wimborne, Dorset BH21 7PE
 Telephone +44 (0) 1202 897969
 Email: sales@cynergy3.com

ISO9001 CERTIFIED



Made in the UK

www.cynergy3.com

IPSLU-M12 2018

IPSLU-M12 series

Low Range Industrial Pressure Sensor with M12 4-Pin connector

Pressure Ranges

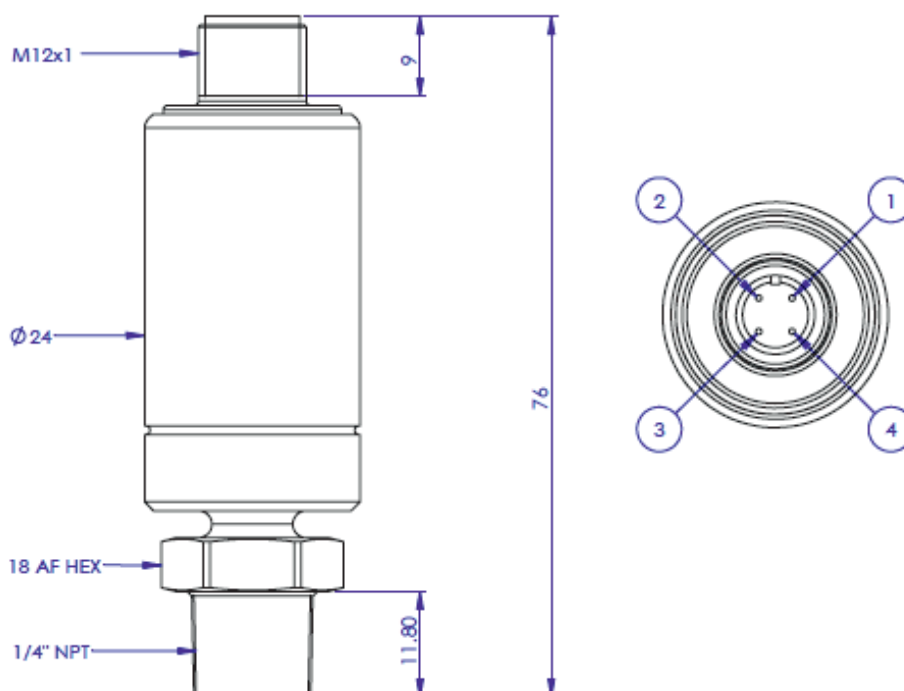
Nominal Pressure, Gauge, psi	0.75	1.5	3.75	7.5	11.25	15
Permissible Overpressure psi	30	30	30	75	75	75

Output Signals and Supply Voltages

Wire system	Output	Supply Voltage	Connection Pin Nos
2-wire	4-20mA	9-32Vdc	+ve Supply Pin 1 -ve Supply Pin 2 Ground Earth Pin
3-wire	0-5Vdc	9-32Vdc	+ve Supply Pin 1 -ve Supply Pin 2 Output Pin 3 Earth Pin 4

Part No	Pressure Range	Output
IPSLU-GP001-5M12	0-1 psi G	4-20mA
IPSLU-GP002-5M12	0-2 psi G	4-20mA
IPSLU-GP005-5M12	0-5 psi G	4-20mA
IPSLU-GP008-5M12	0-8 psi G	4-20mA
IPSLU-GP010-5M12	0-10 psi G	4-20mA
IPSLU-GP015-5M12	0-15 psi G	4-20mA
IPSLU-GP001-6M12	0-1 psi G	0 to 5V 3Wire
IPSLU-GP002-6M12	0-2 psi G	0 to 5V 3Wire
IPSLU-GP005-6M12	0-5 psi G	0 to 5V 3Wire
IPSLU-GP008-6M12	0-8 psi G	0 to 5V 3Wire
IPSLU-GP010-6M12	0-10 psi G	0 to 5V 3Wire
IPSLU-GP015-6M12	0-15 psi G	0 to 5V 3Wire

Mechanical Dimensions



X-ON Electronics

Largest Supplier of Electrical and Electronic Components

Click to view similar products for [Industrial Pressure Sensors](#) category:

Click to view products by [Sensata](#) manufacturer:

Other Similar products are found below :

[75380-05](#) [76053-00000300-01](#) [76053-00000300-05](#) [76061-00000015-01](#) [76062-B00000350-01](#) [76063-00000350-05](#) [76083-05000500-01](#)
[76311-05](#) [76577-00000070-01](#) [76584-M00000100-24](#) [77343-24.0H2-01](#) [77343-25.0H2-01](#) [78291-B00000060-01](#) [78303-B00000400-01](#)
[78303-B00000400-05](#) [78316-B00000030-01](#) [78353-B00000020-05](#) [78665-00000014-05](#) [78677-B00000070-05](#) [78678-00000040-01](#) [79279-](#)
[00000060-01](#) [79296-B00000350-01](#) [79322-00250035-01](#) [79614-30.0H2-14](#) [79670-00000090-15](#) [79700-00002750-01](#) [79917-B00000280-01](#)
[80569-00700100-01](#) [81509081](#) [81739-B00000900-01](#) [81807-B00000020-01](#) [MLH010BST01A](#) [MLH010BST14A](#) [MLH025BGC13B](#)
[MLH025BSCDJ1292](#) [MLH025BSCDJ1303](#) [MLH750PSCDJ1245](#) [82903-B00000020-01](#) [83250-02500600-05](#) [83271-00000040-04](#) [83278-](#)
[B00000200-21](#) [83286-00000150-01](#) [83299-00000150-05](#) [83303-00000600-01](#) [83305-00001350-01](#) [83330-00000100-01](#) [83349-00001470-24](#)
[83350-04.0HG-05](#) [83350-15.0H2-05](#) [83357-00000030-21](#)