

# IPSUAT Series

## Intrinsically Safe Pressure Transducer



**Approvals:-**  
**ATEX / IECEx**  
 II 1G Ex ia IIC T4 Ga (Ta -see schedule)



- **Piezo-resistive thick film ceramic sensor**
- **Stainless steel body**
- **Accuracy <math>\lt; \pm 0.25\% \text{ FS BFSL}</math>**
- **Pressure ranges from vacuum to 5800psi**

The IPSUAT series is ideally suited for use in a wide range of industrial applications in hazardous areas. The probe uses a piezo-resistive ceramic sensor, giving excellent media compatibility within a stainless steel housing

The electronics incorporate a microprocessor based amplifier, requiring no adjusting and giving stable electronics, especially industrial applications.

Each device is temperature compensated, calibrated and supplied with a traceable serial number and calibration data.



### Electrical Protection

Supply reverse polarity	No damage but also no function
Electromagnetic compatibility	CE Compliant

### Mechanical Stability

Shock	100g / 11s
Vibration	10g RMS (20 - 2000Hz)

### Environment & Thermal Effects

Ambient Temperature Range	-20°C to +75°C
Storage temperature	-40°C to +80°C
Compensated temperature range	+20°C to +80°C
Thermal Zero Shift (TZS)	<math>\lt; \pm 0.04\% \text{ /FS/}^\circ\text{C}</math>
Thermal Span Shift	<math>\lt; \pm 0.015\% \text{ /}^\circ\text{C}</math>
Permissible environment	Zone 0

### Performance

Accuracy (Non-Linearity & Hysteresis)	<math>\lt; \pm 0.25\% \text{ / FS (BFSL)</math>
Setting Errors (offsets)	Zero & Full Scale, <math>\lt; \pm 0.5\% \text{ / FS}</math>

### Material Specifications

Housing	316 Stainless Steel
"O" ring seals	Viton
Diaphragm	Ceramic Al <sub>2</sub> O <sub>3</sub> 96%
Media wetted parts	Housing & connection, "O" ring seal, diaphragm
Weight	Approx 100g
Installation position	Any
Operational Life	> 100x 10 <sup>6</sup> cycles
Insulation resistance	> 50MΩ at 50Vdc

### Pressure Ranges

Nominal Pressure, Gauge,	psi	15	30	75	150	300	750	1500	3750	6000
Compound range	psi	-15 to 0	-15 to 30	-15 to 75	-15 to 1235	-15 to 285	-15 to 360			
Permissible Overpressure	psi	30	60	150	300	600	1500	3000	6000	9750
Burst Pressure	psi	60	75	180	375	750	1800	3750	7500	9750

### Output Signal and Supply Voltage

Wire system	Output	Supply Voltage	Connection	Pin Nos
2-wire	4-20mA	10-28Vdc	+ve Supply	Pin 1      -ve Supply Pin 2      Ground Earth Pin

Cynergy3 Components Ltd.  
 7 Cobham Road  
 Ferndown Industrial Estate  
 Wimborne, Dorset BH21 7PE  
 Telephone +44 (0) 1202 897969  
 Email: sales@cynergy3.com



Made in the UK

**ISO9001 CERTIFIED**  
 IPSUAT 2017

[www.cynergy3.com](http://www.cynergy3.com)

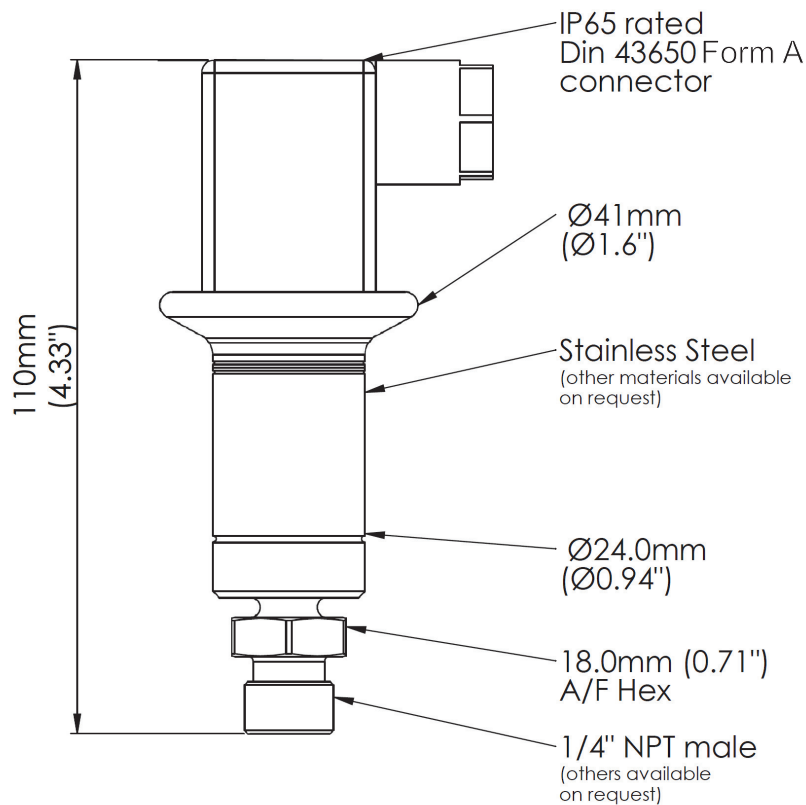
# IPSUAT Series

## Intrinsically Safe Pressure Transducer



Part Number	Pressure Rating
IPSUAT-GP015-5	0-15psi G
IPSUAT-GP030-5	0-30psi G
IPSUAT-GP075-5	0-75psi G
IPSUAT-C0446-5	-14.5 to +150 psi G
IPSUAT-GP100-5	0-100psi G
IPSUAT-GP150-5	0-150psi G
IPSUAT-C0447-5	-14.5 to +350 psi G
IPSUAT-GP300-5	0-300psi G
IPSUAT-GP750-5	0-750psi G
IPSUAT-GP1K5-5	0-1500psi G
IPSUAT-GP3K6-5	0-3600psi G
IPSUAT-GP5K8-5	0-5800psi G

### Mechanical Dimensions



Cynergy3 Components Ltd.  
 7 Cobham Road  
 Ferndown Industrial Estate  
 Wimborne, Dorset BH21 7PE  
 Telephone +44 (0) 1202 897969  
 Email:sales@cynergy3.com



Made in the UK

ISO9001 CERTIFIED

www.cynergy3.com

## X-ON Electronics

Largest Supplier of Electrical and Electronic Components

*Click to view similar products for [Industrial Pressure Sensors](#) category:*

*Click to view products by [Sensata](#) manufacturer:*

Other Similar products are found below :

[75380-05](#) [76053-00000300-01](#) [76053-00000300-05](#) [76061-00000015-01](#) [76062-B00000350-01](#) [76063-00000350-05](#) [76083-05000500-01](#)  
[76311-05](#) [76577-00000070-01](#) [76584-M00000100-24](#) [77343-24.0H2-01](#) [77343-25.0H2-01](#) [78291-B00000060-01](#) [78303-B00000400-01](#)  
[78303-B00000400-05](#) [78316-B00000030-01](#) [78353-B00000020-05](#) [78665-00000014-05](#) [78677-B00000070-05](#) [78678-00000040-01](#) [79279-](#)  
[00000060-01](#) [79296-B00000350-01](#) [79322-00250035-01](#) [79614-30.0H2-14](#) [79670-00000090-15](#) [79700-00002750-01](#) [79917-B00000280-01](#)  
[80569-00700100-01](#) [81509081](#) [81739-B00000900-01](#) [81807-B00000020-01](#) [MLH010BST01A](#) [MLH010BST14A](#) [MLH025BGC13B](#)  
[MLH025BSCDJ1292](#) [MLH025BSCDJ1303](#) [MLH750PSCDJ1245](#) [82903-B00000020-01](#) [83250-02500600-05](#) [83271-00000040-04](#) [83278-](#)  
[B00000200-21](#) [83286-00000150-01](#) [83299-00000150-05](#) [83303-00000600-01](#) [83305-00001350-01](#) [83330-00000100-01](#) [83349-00001470-24](#)  
[83350-04.0HG-05](#) [83350-15.0H2-05](#) [83357-00000030-21](#)