

IPSU-M12 Series

Industrial Pressure Sensor - Ceramic - with M12 4-Pin Connector



- Piezo-resistive thick film ceramic sensor
- Stainless steel body
- Accuracy $\leq \pm 0.25\%$ FS BFSL
- 0-5V or 4-20mA output
- Pressure ranges from -14.5 to 5800 psi
- M12 4-pin connector
- 1/4" NPT process connection

The IPSU-M12 series is suitable for use in a wide range of industrial applications. The probe uses a piezo-resistive ceramic sensor, giving excellent media compatibility within a stainless steel housing

The electronics incorporate a microprocessor based amplifier, requiring no adjusting and giving stable electronics, especially industrial applications..

Each device is temperature compensated, calibrated and supplied with a traceable serial number and calibration data. *

Mating cable and plug assemblies are available - see datasheet M12 Cable Set Series

Electrical Protection

Supply reverse polarity	No damage/no function
Electromagnetic compatibility	CE Compliant

Performance

Accuracy (Non-Linearity & Hysteresis)	$\leq \pm 0.25\%$ / FS (BFSL)
Setting Errors (offsets)	2-wire Zero & Full Scale, $\leq \pm 0.5\%$ / FS
	3-wire Zero & Full Scale, $\leq \pm 0.5\%$ / FS

Mechanical Stability

Shock	100g / 11s
Vibration	10g RMS (20 - 2000Hz)

Material Specifications

Housing	316L Stainless Steel
"O" ring seals	Viton
Diaphragm	Ceramic Al_2O_3 96%
Media wetted parts	Housing & connection, "O" ring seal, diaphragm
Weight	Approx 100g
Installation position	Any
Operational Life	$> 100 \times 10^6$ cycles
Insulation resistance	$> 50M\Omega$ at 50Vdc
Environmental protection	IP67 (only when used with a similarly rated connector)

Temperatures & Thermal Effects

Media Temperature	-40°C to +135°C
Ambient Temperature	-20°C to +80°C
Storage temperature	-40°C to +125°C
Compensated temperature range	+20°C to +80°C
Thermal Zero Shift (TZS)	$\leq \pm 0.04\%$ /FS/°C
Thermal Span Shift	$\leq \pm 0.015\%$ /°C

Pressure Ranges and Passive mV/V Outputs

Nominal Pressure, Gauge, psi	15	30	75	150	300	750	1500	3750	6000
Compound range	psi	-7.5 to 0	-7.5 to 30	-15 to 75	-15 to 1235	-15 to 285	-15 to 360		
Permissible Overpressure	psi	30	60	150	300	600	1500	3000	6000
Burst Pressure	psi	60	75	180	375	750	1800	3750	7500

Output Signals and Supply Voltages

Wire system	Output	Supply Voltage	Connection	Pin Nos
2-wire	4-20mA	9-32Vdc	+ve Supply	Pin 1
			-ve Supply	Pin 2
			Ground	Earth Pin
3-wire	0-5Vdc	9-32Vdc	+ve Supply	Pin 1
			-ve Supply	Pin 2
			Output	Pin 3
			Earth	Pin 4

*Calibration data is supplied as a sticker affixed to the product packaging - do not discard

Cynergy3 Components Ltd. 7 Cobham Road, Ferndown Industrial Estate, Wimborne, Dorset, BH21 7PE, United Kingdom
 Telephone: +44 (0)1202 897969 Email: c3w_sales@sensata.com

ISO9001 CERTIFIED

cynergy3-ipsu-m12-v2



Made in the UK

www.cynergy3.com

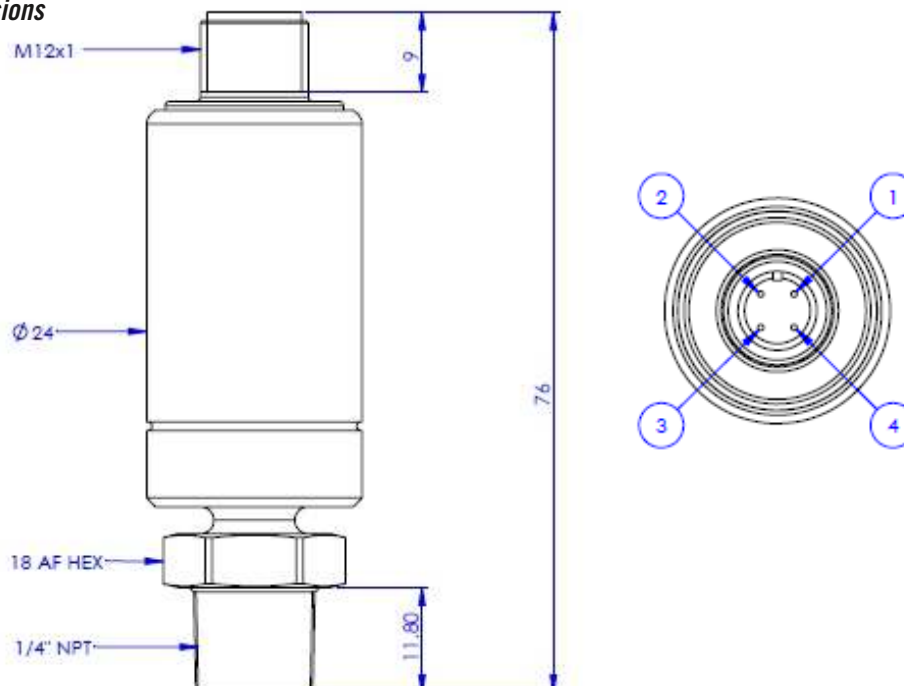
IPSU-M12 Series

Industrial Pressure Sensor - Ceramic - with M12 4-Pin Connector

Part Number	Range	Output
IPSU-GP015-5M12	0-15 psi G	4-20mA
IPSU-GP015-6M12	0-15 psi G	0-5V
IPSU-GP030-5M12	0-30 psi G	4-20mA
IPSU-GP030-6M12	0-30 psi G	0-5V
IPSU-C0446-5M12	-14.5 to +150 psi G	4-20mA
IPSU-C0446-6M12	-14.5 to +150 psi G	0-5V
IPSU-GP075-5M12	0-75 psi G	4-20mA
IPSU-GP075-6M12	0-75 psi G	0-5V
IPSU-GP100-5M12	0-100 psi G	4-20mA
IPSU-GP100-6M12	0-100 psi G	0-5V
IPSU-C0447-5M12	-14.5 to +350 psi G	4-20mA
IPSU-C0447-6M12	-14.5 to +350 psi G	0-5V
IPSU-GP150-5M12	0-150 psi G	4-20mA
IPSU-GP150-6M12	0-150 psi G	0-5V
IPSU-GP300-5M12	0-300 psi G	4-20mA
IPSU-GP300-6M12	0-300 psi G	0-5V
IPSU-GP750-5M12	0-750 psi G	4-20mA
IPSU-GP750-6M12	0-750 psi G	0-5V
IPSU-GP1K5-5M12	0-1500 psi SG*	4-20mA
IPSU-GP1K5-6M12	0-1500 psi SG*	0-5V
IPSU-GP3K6-5M12	0-3600 psi SG*	4-20mA
IPSU-GP3K6-6M12	0-3600 psi SG*	0-5V
IPSU-GP5K8-5M12	0-5800 psi SG*	4-20mA
IPSU-GP5K8-6M12	0-5800 psi SG*	0-5V

* sealed gauge

Mechanical Dimensions



X-ON Electronics

Largest Supplier of Electrical and Electronic Components

Click to view similar products for [Industrial Pressure Sensors](#) category:

Click to view products by [Sensata](#) manufacturer:

Other Similar products are found below :

[75380-05](#) [76053-00000300-01](#) [76053-00000300-05](#) [76061-00000015-01](#) [76062-B00000350-01](#) [76063-00000350-05](#) [76083-05000500-01](#)
[76311-05](#) [76577-00000070-01](#) [76584-M00000100-24](#) [77343-24.0H2-01](#) [77343-25.0H2-01](#) [78291-B00000060-01](#) [78303-B00000400-01](#)
[78303-B00000400-05](#) [78316-B00000030-01](#) [78353-B00000020-05](#) [78665-00000014-05](#) [78677-B00000070-05](#) [78678-00000040-01](#) [79279-](#)
[00000060-01](#) [79296-B00000350-01](#) [79322-00250035-01](#) [79614-30.0H2-14](#) [79670-00000090-15](#) [79700-00002750-01](#) [79917-B00000280-01](#)
[80569-00700100-01](#) [81509081](#) [81739-B00000900-01](#) [81807-B00000020-01](#) [MLH010BST01A](#) [MLH010BST14A](#) [MLH025BGC13B](#)
[MLH025BSCDJ1292](#) [MLH025BSCDJ1303](#) [MLH750PSCDJ1245](#) [82903-B00000020-01](#) [83250-02500600-05](#) [83271-00000040-04](#) [83278-](#)
[B00000200-21](#) [83286-00000150-01](#) [83299-00000150-05](#) [83303-00000600-01](#) [83305-00001350-01](#) [83330-00000100-01](#) [83349-00001470-24](#)
[83350-04.0HG-05](#) [83350-15.0H2-05](#) [83357-00000030-21](#)