

# IPSU-M12 Series

## Industrial Pressure Sensor - Ceramic - with M12 4-Pin Connector



- Piezo-resistive thick film ceramic sensor
- Stainless steel body
- Accuracy  $\leq \pm 0.25\%$  FS BFSL
- 0-5V or 4-20mA output
- Pressure ranges from -14.5 to 5800 psi
- M12 4-pin connector
- 1/4" NPT process connection

The IPSU-M12 series is suitable for use in a wide range of industrial applications. The probe uses a piezo-resistive ceramic sensor, giving excellent media compatibility within a stainless steel housing

The electronics incorporate a microprocessor based amplifier, requiring no adjusting and giving stable electronics, especially industrial applications..

Each device is temperature compensated, calibrated and supplied with a traceable serial number and calibration data. \*

Mating cable and plug assemblies are available - see datasheet M12 Cable Set Series

### Electrical Protection

Supply reverse polarity	No damage/no function
Electromagnetic compatibility	CE Compliant

### Performance

Accuracy (Non-Linearity & Hysteresis)	$\leq \pm 0.25\%$ / FS (BFSL)	
Setting Errors (offsets)	2-wire	Zero & Full Scale, $\leq \pm 0.5\%$ / FS
	3-wire	Zero & Full Scale, $\leq \pm 0.5\%$ / FS

### Mechanical Stability

Shock	100g / 11s
Vibration	10g RMS (20 - 2000Hz)

### Material Specifications

Housing	316L Stainless Steel
"O" ring seals	Viton
Diaphragm	Ceramic Al <sub>2</sub> O <sub>3</sub> 96%
Media wetted parts	Housing & connection, "O" ring seal, diaphragm
Weight	Approx 100g
Installation position	Any
Operational Life	> 100x 10 <sup>6</sup> cycles
Insulation resistance	> 50MΩ at 50Vdc
Environmental protection	IP67 (only when used with a similarly rated connector)

### Temperatures & Thermal Effects

Media Temperature	-40°C to +135°C
Ambient Temperature	-20°C to +80°C
Storage temperature	-40°C to +125°C
Compensated temperature range	+20°C to +80°C
Thermal Zero Shift (TZS)	$\leq \pm 0.04\%$ /FS/°C
Thermal Span Shift	$\leq \pm 0.015\%$ /°C

### Pressure Ranges and Passive mV/V Outputs

Nominal Pressure, Gauge, psi	15	30	75	150	300	750	1500	3750	6000
Compound range psi	-7.5 to 0 -7.5 to 30 -15 to 75 -15 to 1235 -15 to 285 -15 to 360								
Permissible Overpressure psi	30	60	150	300	600	1500	3000	6000	9750
Burst Pressure psi	60	75	180	375	750	1800	3750	7500	9750

### Output Signals and Supply Voltages

Wire system	Output	Supply Voltage	Connection Pin Nos		
2-wire	4-20mA	9-32Vdc	+ve Supply Pin 1	-ve Supply Pin 2	Ground Earth Pin
3-wire	0-5Vdc	9-32Vdc	+ve Supply Pin 1	-ve Supply Pin 2	Earth Pin 4
			Output Pin 3		

\*Calibration data is supplied as a sticker affixed to the product packaging - do not discard

Cynergy3 Components Ltd.  
7 Cobham Road  
Ferndown Industrial Estate  
Wimborne, Dorset BH21 7PE  
Telephone +44 (0) 1202 897969

Email: sales@cynergy3.com



Made in the UK

ISO9001 CERTIFIED

IPSU-M12 2018

www.cynergy3.com

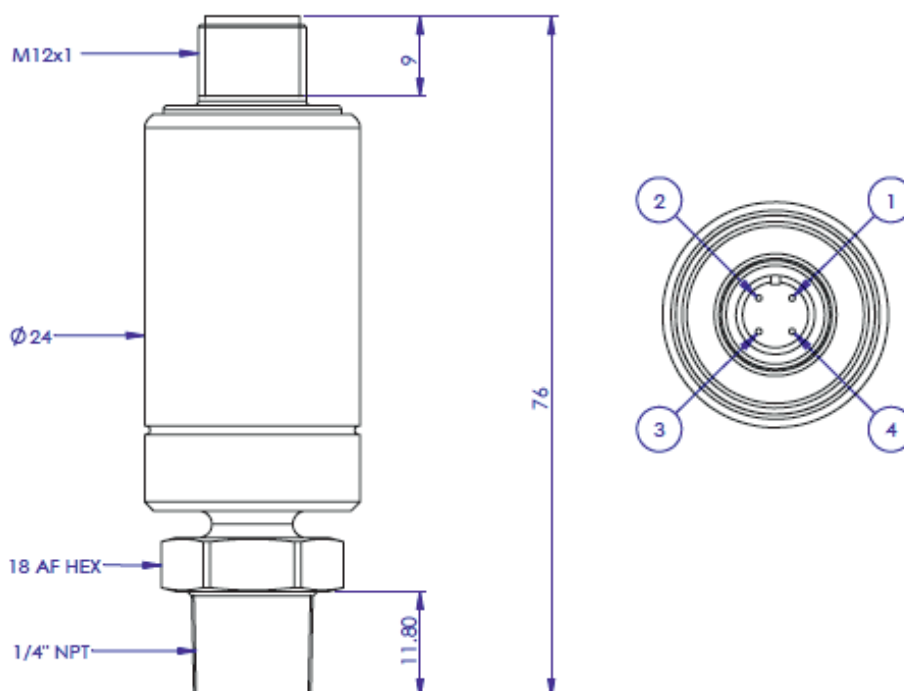
# IPSU-M12 Series

## Industrial Pressure Sensor - Ceramic - with M12 4-Pin Connector

Part Number	Range	Output
IPSU-GP015-5M12	0-15 psi G	4-20mA
IPSU-GP015-6M12	0-15 psi G	0-5V
IPSU-GP030-5M12	0-30 psi G	4-20mA
IPSU-GP030-6M12	0-30 psi G	0-5V
IPSU-C0446-5M12	-14.5 to +150 psi G	4-20mA
IPSU-C0446-6M12	-14.5 to +150 psi G	0-5V
IPSU-GP075-5M12	0-75 psi G	4-20mA
IPSU-GP075-6M12	0-75 psi G	0-5V
IPSU-GP100-5M12	0-100 psi G	4-20mA
IPSU-GP100-6M12	0-100 psi G	0-5V
IPSU-C0447-5M12	-14.5 to +350 psi G	4-20mA
IPSU-C0447-6M12	-14.5 to +350 psi G	0-5V
IPSU-GP150-5M12	0-150 psi G	4-20mA
IPSU-GP150-6M12	0-150 psi G	0-5V
IPSU-GP300-5M12	0-300 psi G	4-20mA
IPSU-GP300-6M12	0-300 psi G	0-5V
IPSU-GP750-5M12	0-750 psi G	4-20mA
IPSU-GP750-6M12	0-750 psi G	0-5V
IPSU-GP1K5-5M12	0-1500 psi SG*	4-20mA
IPSU-GP1K5-6M12	0-1500 psi SG*	0-5V
IPSU-GP3K6-5M12	0-3600 psi SG*	4-20mA
IPSU-GP3K6-6M12	0-3600 psi SG*	0-5V
IPSU-GP5K8-5M12	0-5800 psi SG*	4-20mA
IPSU-GP5K8-6M12	0-5800 psi SG*	0-5V

\* sealed gauge

### Mechanical Dimensions



Cynergy3 Components Ltd.  
7 Cobham Road  
Ferndown Industrial Estate  
Wimborne, Dorset BH21 7PE  
Telephone +44 (0) 1202 897969

Email: [sales@cynergy3.com](mailto:sales@cynergy3.com)

**ISO9001 CERTIFIED**

© 2018 Cynergy3 Components, All Rights Reserved. Specifications are subject to change without prior notice. Cynergy3 Components and the Cynergy3 Components logo are trademarks of Cynergy3 Components Limited.

[www.cynergy3.com](http://www.cynergy3.com)

## X-ON Electronics

Largest Supplier of Electrical and Electronic Components

*Click to view similar products for [Industrial Pressure Sensors](#) category:*

*Click to view products by [Sensata](#) manufacturer:*

Other Similar products are found below :

[75380-05](#) [76053-00000300-01](#) [76053-00000300-05](#) [76061-00000015-01](#) [76062-B00000350-01](#) [76063-00000350-05](#) [76083-05000500-01](#)  
[76311-05](#) [76577-00000070-01](#) [76584-M00000100-24](#) [77343-24.0H2-01](#) [77343-25.0H2-01](#) [78291-B00000060-01](#) [78303-B00000400-01](#)  
[78303-B00000400-05](#) [78316-B00000030-01](#) [78353-B00000020-05](#) [78665-00000014-05](#) [78677-B00000070-05](#) [78678-00000040-01](#) [79279-](#)  
[00000060-01](#) [79296-B00000350-01](#) [79322-00250035-01](#) [79614-30.0H2-14](#) [79670-00000090-15](#) [79700-00002750-01](#) [79917-B00000280-01](#)  
[80569-00700100-01](#) [81509081](#) [81739-B00000900-01](#) [81807-B00000020-01](#) [MLH010BST01A](#) [MLH010BST14A](#) [MLH025BGC13B](#)  
[MLH025BSCDJ1292](#) [MLH025BSCDJ1303](#) [MLH750PSCDJ1245](#) [82903-B00000020-01](#) [83250-02500600-05](#) [83271-00000040-04](#) [83278-](#)  
[B00000200-21](#) [83286-00000150-01](#) [83299-00000150-05](#) [83303-00000600-01](#) [83305-00001350-01](#) [83330-00000100-01](#) [83349-00001470-24](#)  
[83350-04.0HG-05](#) [83350-15.0H2-05](#) [83357-00000030-21](#)