

## IWTT Series

### Industrial Wireless Temperature Transducer



- **K or J Type Thermocouples**
- **PT100 RTD Sensors**
- **6mm stainless steel sheath**
- **Up to 750m line-of-site range (depending on receiver)**
- **Five year battery life at 10 second transmission update rate**
- **Simple DIL switch pairing with the single or five channel receiver**
- **Single, five and multi-channel channel receivers available (up to 128)**
- **User-selectable transmission update rates**
- **Analogue, digital, RS232/485, Ethernet & USB receiver outputs**
- **Receiver clean contacts provide process alarm functions**

#### DESCRIPTION

The IWTT Wireless Temperature Transducer is a cost effective replacement to a traditionally wired temperature transducer that offers the advantages of a low-cost installation in inaccessible and expensive installation environments.

It is easily paired to any of the range of IWR receivers - thus offering a “plug and play” solution to your pressure measurement applications.

The instrument uses either J or K type thermocouples or 3-wire RTD sensors fitted to an acetal housing giving excellent media compatibility for the harshest of applications. Compression fittings are available which allow the head to be orientated in the required direction.

The IWPT sensor can be used with any of the IWR range of receivers. A line-of-sight range of up to 750m is possible depending on the wireless receiver used (refer to specific receiver datasheets for further information).

Each device is temperature compensated, calibrated and supplied with a traceable serial number.

#### TYPICAL APPLICATIONS INCLUDE:-

- **Simple cable replacement installation** – dispense with expensive cable runs
- **Environmental monitoring** – pumping stations, sewage plants, water treatment
- **Facilities management** – boiler rooms, plant hydraulics, plant pneumatics
- **Asset monitoring** – tanks farms, process plants, HVAC and building management
- **Service Contract** – temporary installation for servicing and field trials

#### Transmitter Temperature Ranges

Standard products are factory configured as below:-

J-Type	0 to 1200°C
K-Type	0 to 1200°C
RTD type	-200 to +800°C

#### System Performance

Accuracy (Non-Linearity & Hysteresis)	<±0.1% / FS
Temperature Coefficient	±500ppm/°C

#### Transmitter Output

*Transmission Frequency	2.4 Ghz IEEE 802.15.4
Transmit Power	18 dBm
System Channel	User selectable via DIL switch
Antenna	Integral 0dBi

\*Compliant with EN 300 328, V1.8.1

#### Instrument Power Source

Battery Type	User replaceable Lithium C cell
Battery Life	Five years at 10 second update rate
Battery Shelf Life	10 years

## IWTT Series

### Industrial Wireless Temperature Transducer

#### Material Specifications

Probe sheath	316 Stainless Steel
"O" ring seals	Viton
Wireless Enclosure Material	Acetal
Weight	300g typical including battery
**Installation position	Any

\*\* Consult installation manual to ensure adequate signal path between transmitter and receiver

#### Environmental Conditions & Thermal Effects

Media Temperature	-200°C to +1200°C
Op. /Ambient Temperature	-20°C to +50°C
Storage Temperature	-20°C to +80°C
Humidity	5% to 95% RH non-condensing
Thermal Span Shift	<±0.05% /°C typical

#### Receiver Output Signals

Receiver Part Number	Receiver Outputs
IWR-1	1 off 4-20mA or 1-5Vdc and 1 Relay output
IWR-5	5 off 4-20mA or 1-5Vdc and 1 Relay output
IWR-USB	Displays & Logs data on any PC running IWR-USB software RS232 or RS485 or Ethernet MODBUS Communications.
IWR-PORT	Up to 128 off analogue 4-20mA or Relay outputs can be obtained by fitting extra ISOSLICE I/O modules
IoT-Gateway	Built-in cellular modem allows all data to be sent to remote servers

\*\*\*Transmission Update Rate 1, 5, 10, 20, 30, 60, 120 and 600 seconds

\*\*\* Consult installation manual for set-up:

- Single channel system is DIL switch configurable
- Five channel system requires set-up using "IWR Set" user software

#### Mechanical Stability

See user manual

#### Ordering Codes:-

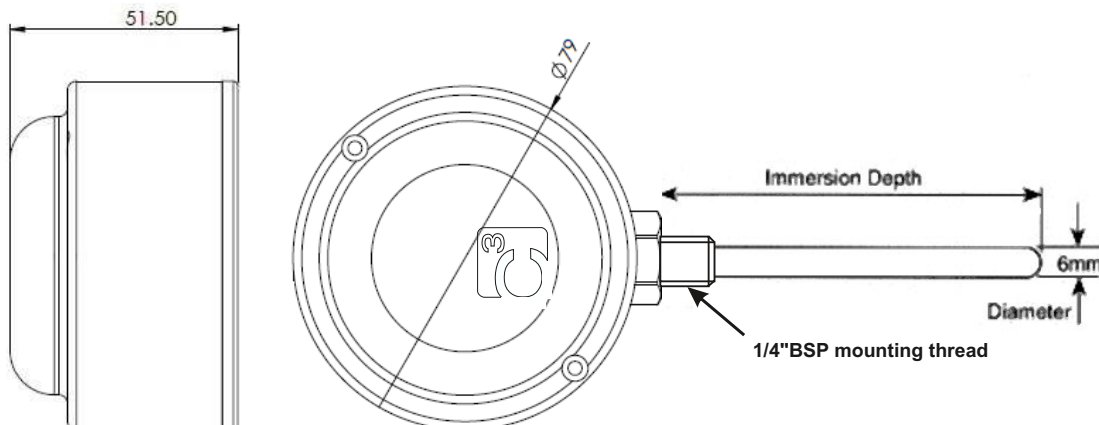
Temperature Transducer	See table below
Spare battery	IBAT-1
Receivers -	See IWR-1, IWR-5, IWR-PORT and IWR-USB data sheets
Five Channel Configuration Software	IWR-Set (free download*)

\*Download user configuration software here:-

[https://www.cynergy3.com/sites/default/files/IWR-Set\\_v2.4\\_installer.zip](https://www.cynergy3.com/sites/default/files/IWR-Set_v2.4_installer.zip)

Part No.	Description	Part No.	Description
IWTTP100A	PT100 6x100mm	IWTTJ200A	J type 6x200mm
IWTTP150A	PT100 6x150mm	IWTTJ300A	J type 6x300mm
IWTTP200A	PT100 6x200mm	IWTTJ400A	J type 6x400mm
IWTTP250A	PT100 6x250mm	IWTTK150A	K type 6x150mm
IWTTP300A	PT100 6x300mm	IWTTK200A	K type 6x200mm
IWTTP400A	PT100 6x400mm	IWTTK300A	K type 6x300mm
		IWTTK400A	K type 6x400mm

#### Mechanical Dimensions



## X-ON Electronics

Largest Supplier of Electrical and Electronic Components

*Click to view similar products for [Industrial Temperature Sensors](#) category:*

*Click to view products by [Sensata](#) manufacturer:*

Other Similar products are found below :

[590-32AC34-103-WRI](#) [590-59CN02-103](#) [G9864ST22F0](#) [HEL-705-U-0-12-C1](#) [HEL-736-U-2-36](#) [HEL-717-U-0-24-00](#) [519-39AW09-245](#)  
[519-39CH01-295](#) [535-32AB36-202](#) [535-34AE08-303](#) [512-32AQ01-503](#) [521-33AG04-303](#) [521-53BR01-503](#) [E52P6DY4M](#) [535-34AE09-222](#)  
[590-32AC34-103](#) [590-32AD05-103](#) [HEL-705-U-0-36-00](#) [E52-CA6D-N 4M](#) [E52-P6DY 2M](#) [E52-P20C-N D=8](#) [E52-THE5A 100-200 2M](#)  
[HRTS-5760-B-T-0-18](#) [6655-71990001](#) [LTPCTGA20MBSIBX01](#) [LTPCTAA20MDSIEX01](#) [NCP81255MNTXG](#) [HEL-707-T-1-24-00](#) [HEL-](#)  
[716-U-0-24-00](#) [USW2247](#) [R-11614-1](#) [RP103ST22P2](#) [R-10331-3F6](#) [B57045K0222K000](#) [B57045K0154K000](#) [PPG102A6](#) [R-7119](#) [R-8949-34](#)  
[BB-WTJ-10-36-TT](#) [20006233-00](#) [USW2889](#) [IWTTP100A](#) [IWTTP200A](#) [IWTTP250A](#) [IWTTP300A](#) [DS-1](#) [DS-10](#) [DS-5](#) [TT4-PT1000B-](#)  
[T105-OM55-1500](#) [TT4-PT1000B-T180-OM52-500](#)