

## CD115 potentiometric output – Measurement range 0 up to 3000 mm

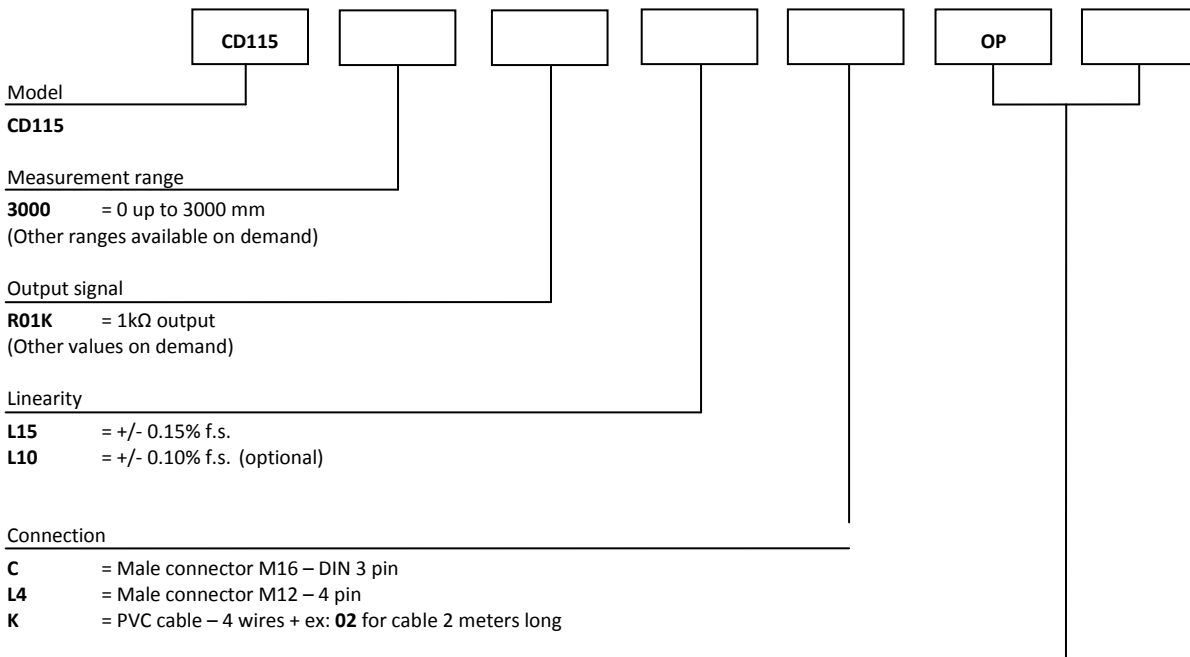
### Specifications:

<b>Measurement range</b>	<b>0 up to 3000 mm</b>
<b>Output signal</b>	<b>1k<math>\Omega</math> (other values on demand)</b>
<b>Resolution</b>	<b>Quasi infinite (depends on the operating system)</b>
<b>Material</b>	<b>Body and cover - Aluminium (RoHS) Measuring cable – Stainless steel</b>
<b>Cable diameter</b>	<b>0,60 mm</b>
<b>Detection element</b>	<b>Precision potentiometer</b>
<b>Connection</b>	<b>Male connector M16 – DIN 3 pin Male connector M12 – 4 pin PVC cable – 4 wires</b>
<b>Standard linearity</b>	<b>+/- 0,15% f.s. +/- 0,10% f.s. (optional)</b>
<b>Protection class</b>	<b>IP54 (option IP67)</b>
<b>Max. Velocity</b>	<b>10m/s</b>
<b>Max. Acceleration</b>	<b>7 m/s<sup>2</sup> (before cable deformation)</b>
<b>Weight</b>	<b>≈ 2000 g</b>
<b>Operating temperature</b>	<b>-20° to +80°C</b>
<b>Storage temperature</b>	<b>-30° to +80°C</b>

### Cable forces:

Measurement range in mm	Min. pull-out force	Max. pull-out force
<b>3000</b>	<b>≈ 13,50 N</b>	<b>≈ 18,00 N</b>

### Ordering reference:



### OP Options

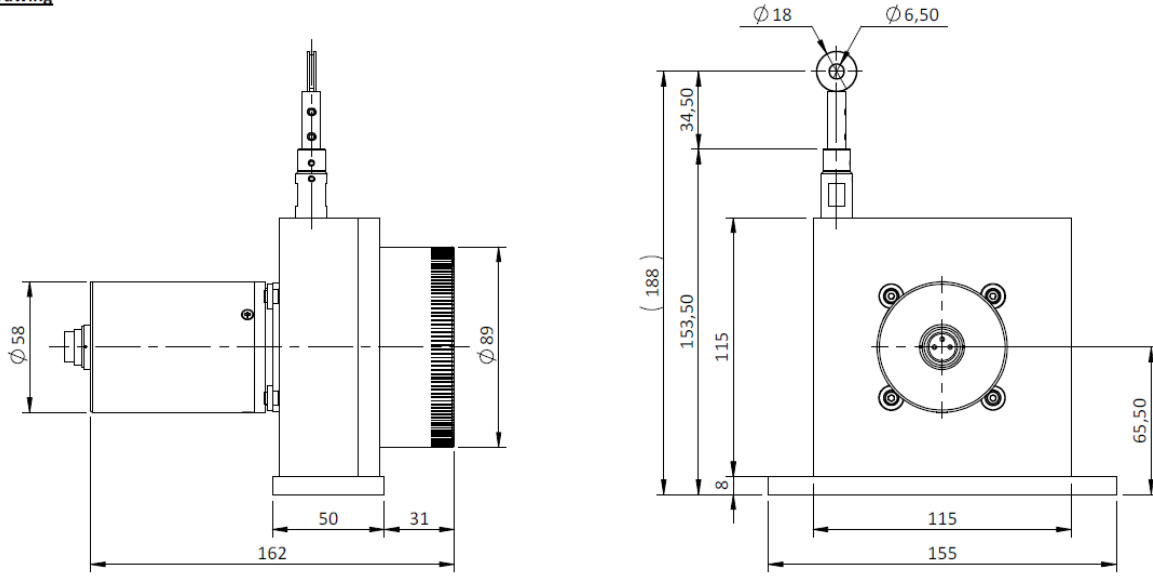
<b>AC</b>	= Complete anodizing
<b>BR</b>	= Cleaning brush for the cable
<b>BT</b>	= Low temperature (down to -30°C)
<b>CP</b>	= Fixing of the measuring cable with a clevis
<b>IP67</b>	= Protection class IP67
<b>M4</b>	= Fixing of the measuring cable with a M4 threaded rod
<b>TEV</b>	= Water evacuation holes
<b>BR</b>	= Cleaning brush for the cable

Reference example: CD115-3000-R01K-L15-K02-OP-AC-M4

Made in France

## CD115 potentiometric output – Measurement range 0 up to 3000 mm

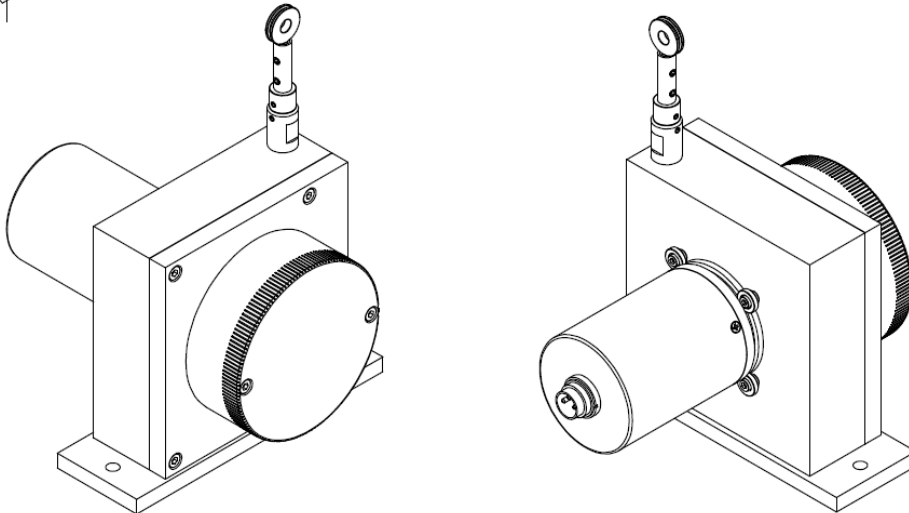
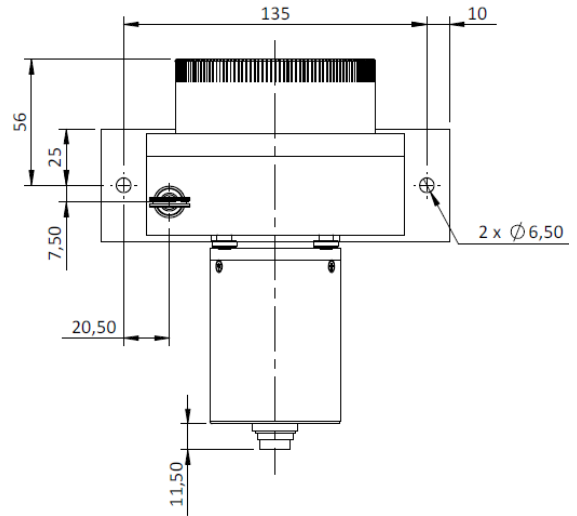
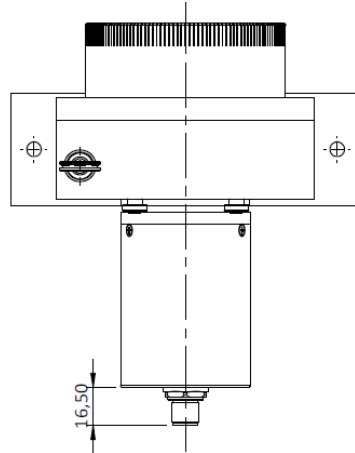
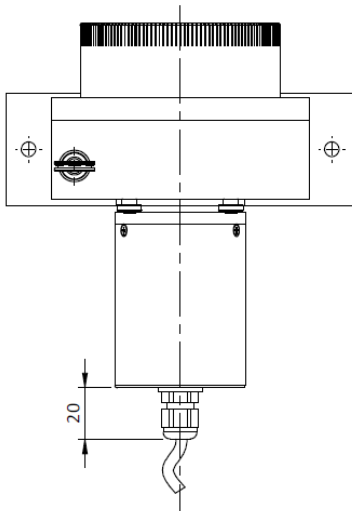
### Dimensional Drawing



K connection  
(PVC cable - 4 wires)

L4 connection  
(connector M12 - 4 pin)

C connection  
(Connector M16 - DIN 3 pin)



## X-ON Electronics

Largest Supplier of Electrical and Electronic Components

*Click to view similar products for [Precision Potentiometers](#) category:*

*Click to view products by [Sensata](#) manufacturer:*

Other Similar products are found below :

[578002M9648](#) [70J1G032S202A](#) [176FL1-284](#) [F78SB102-M257](#) [3548H-1AA-103B](#) [485025M9267](#) [MH12B-10L-10K](#) [578005M9656](#)  
[72N4N048S203W](#) [RO200SF1C103](#) [114BF2A102-L774](#) [200FL1-199](#) [78FL1-397](#) [78MKV-128](#) [501-0004](#) [501-0018](#) [SE15303-352-T4](#)  
[284TCBF103A26A1](#) [RO34SF1B502](#) [200FL1-260](#) [4205R10KL.5](#) [3548H-1AB-502A](#) [157-0237](#) [1521R10KL.3](#) [284TBBK103A26B1](#) [SP22G-](#)  
[500](#) [DC22-10-100](#) [RCL-100](#) [RCL-200](#) [3590P-4-503L](#) [380C2750K](#) [3548H-1AA-102B](#) [380C2500K](#) [3590P-1-103L](#) [3547S-1AA-202A](#)  
[3540S-91-502L](#) [3543S-1-202L](#) [3543S-1-102L](#) [3543S-1-502L](#) [3545S-1-103L](#) [3549S-2AA-102/102A](#) [P3265](#) [P3270](#) [P3275](#) [P3280](#) [P3285](#)  
[P3290](#) [6637S-1-102](#) [RV6NAYSD101AP](#) [SP22E-3011-10K](#)