



| P4055

Pressure Transducer

Description

The P4055 Pressure Transducer incorporate a back-side PRT configuration that is compatible with many types of liquid and gaseous media. This flexible product family can be supplied with a built in Metri-Pack 150 electrical connector. The small sensor size is ideal for high volume applications. Pressure ranges may be customized for OEM applications. The P4055 is specified with pressure ranges measured in PSI.



Features

- Small Size
- Absolute, Gage or Sealed Gage Pressure References
- Packard Metri-Pack 150 Electrical Connector Standard
- 0.5 to 4.5 Vdc Output
- High Vibration Tolerance
- Superior EMI/RFI Performance
- Available with NPT, G1/4, M10, & M12 Pressure Ports
- Temperature Compensated
- RoHS Compliant

Applications

- Pumps & Compressors
- Process Controls
- Filter Restriction
- Oil and Fuel Pressures
- Water Management
- Level Measurement
- Test & Monitoring Equipment



MAIN FEATURES

Pressure Ranges	0 to 3 up to 0 to 300 PSI
Electrical Connection	Packard Electric Metri-Pack 150 Series
Pressure Connection	1/4-18 NPT (external), 1/8-27 NPT (external) - for more options see how to order
Housing Material	Brass
Output Signal	0.5 - 4.5 VDC

Pressure Ranges

From 0 to ...	PSI	3	5	15	30	50	75	100	150	200	300
Proof Pressure	PSI	6	10	30	60	10	150	200	300	300	450
Burst Pressure	PSI	9	15	45	90	150	225	300	450	400	600

Physical

Operating Life Cycle	min. 1 million full pressure cycles over the full range
Vibration Resistance	10 G's peak to peak sinusoidal, from 20 to 2000 Hz
Shock Resistance	75 G's ½ sine wave
Drop Test	1m onto concrete surface
Weight	≤ 50 grams
Ingress Protection	IP67
Media Temperature	-40°C to + 125°C
Environmental Temperature	-40°C to + 125°C
Storage Temperature	-40°C to + 125°C
Media	All class II fluids and gases compatible with brass and fluorosilicone

Performance

Total Error Band¹	+/-2% of span (-20 ≤ T ≤ 100° C) +/-3% of span (T < -20° C, T < 100° C)
-------------------------------------	---

1. Including accuracy, calibration, temperature, non-linearity, hysteresis, non-repeatability, error

Electrical

Output Signal	0.5...4.5 VDC ratiometric
Operating Supply Signal	5 VDC ± 5%
Power Consumption	≤ 25 mW
Overvoltage Protection	16 VDC
Short-circuit Proofness	Yes ²
Insulation Voltage	500 VDC
Reverse Polarity Protection	Yes ³
Impedance	Min load 25 kΩ
Response Time	≤ 10 ms max. to 63% of full scale pressure with step change on input

2. for min. 3 intervals at 5 minutes each

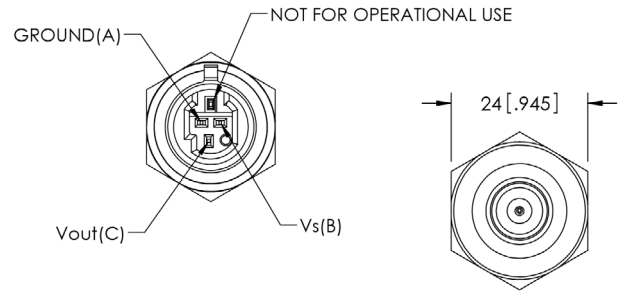
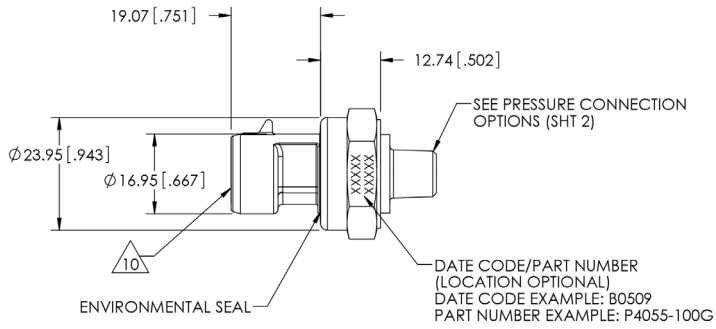
3. for min. 10 seconds on assigned pins



DIMENSIONS

Dimensions in mm [Inch]

Packard (metri-pack 150) Pin Call Outs			
Output	Pin 1	Pin 2	Pin 3
0.5-4.5 VDC ratiometric	GND	Vsup	Vout





P4055 Pressure Sensor, 0 – 15 PSI Absolute, Fluorosilicone, Internal Seal, 1/4 18 NPT, Pressure Connection with Packard, Metri-Pack 150 Built-in Connector

P4055 - 15 A - E 1 A

Family

P4055

Pressure Ranges (PSI)

- 3: 0 - 3 PSI
- 5: 0 - 5 PSI
- 10: 0 - 10 PSI
- 15: 0 - 15 PSI
- 30: 0 - 30 PSI
- 50: 0 - 50 PSI
- 75: 0 - 75 PSI
- 100: 0 - 100 PSI
- 150: 0 - 150 PSI
- 200: 0 - 200 PSI
- 300: 0 - 300 PSI

Reference

- A: Absolute
- G: Gauge
- S: Sealed Gauge

Internal Seal Material

E: Fluorosilicone

Pressure Connection (Port)

- 1: 1/4-18 NPT
- 2: M12 X 1.5-6g PER ISO 6149
- 3: M10 X 1-6g PER ISO 6149
- 4: 1/8-27 NPTF
- 5: STUD END PER DIN 3852-A-G1/4 (sealing by washer, not supplied)
- 6: M14 X 1.5-6g PER ISO 6149
- 7: STUD END PER DIN 3852-C-R1/4 (1/4-19 BSPT)
- 8: 7/16-20UNF-2A
- 9: M16 X 1.5-6g
- 10: STUD END PER DIN 3852-C-R1/8 (1/8-28 BSPT)

Built-in Connector

- A: Metripack 150 with mating connector 12" leads
- C: Metripack 150 without mating connector



AGENCY APPROVALS & CERTIFICATIONS



2002/95/EC RoHS Directive



Pressure equipment directive 97/23/EC

EMC directive 2004/108/EEC, EN 61 326 Emission (Group 1, Class B) and Immunity (industrial locations), EMI, ESD protected



Revised 2/7/18

Sensata Technologies, Inc. ("Sensata") data sheets are solely intended to assist designers ("Buyers") who are developing systems that incorporate Sensata products (also referred to herein as "components"). Buyer understands and agrees that Buyer remains responsible for using its independent analysis, evaluation and judgment in designing Buyer's systems and products. Sensata data sheets have been created using standard laboratory conditions and engineering practices. Sensata has not conducted any testing other than that specifically described in the published documentation for a particular data sheet. Sensata may make corrections, enhancements, improvements and other changes to its data sheets or components without notice.

Buyers are authorized to use Sensata data sheets with the Sensata component(s) identified in each particular data sheet. HOWEVER, NO OTHER LICENSE, EXPRESS OR IMPLIED, BY ESTOPPEL OR OTHERWISE TO ANY OTHER SENSATA INTELLECTUAL PROPERTY RIGHT, AND NO LICENSE TO ANY THIRD PARTY TECHNOLOGY OR INTELLECTUAL PROPERTY RIGHT, IS GRANTED HEREIN. SENSATA DATA SHEETS ARE PROVIDED "AS IS". SENSATA MAKES NO WARRANTIES OR REPRESENTATIONS WITH REGARD TO THE DATA SHEETS OR USE OF THE DATA SHEETS, EXPRESS, IMPLIED OR STATUTORY, INCLUDING ACCURACY OR COMPLETENESS. SENSATA DISCLAIMS ANY WARRANTY OF TITLE AND ANY IMPLIED WARRANTIES OF MERCHANTABILITY, FITNESS FOR A PARTICULAR PURPOSE, QUIET ENJOYMENT, QUIET POSSESSION, AND NON-INFRINGEMENT OF ANY THIRD PARTY INTELLECTUAL PROPERTY RIGHTS WITH REGARD TO SENSATA DATA SHEETS OR USE THEREOF.

All products are sold subject to Sensata's terms and conditions of sale supplied at www.sensata.com SENSATA ASSUMES NO LIABILITY FOR APPLICATIONS ASSISTANCE OR THE DESIGN OF BUYERS' PRODUCTS. BUYER ACKNOWLEDGES AND AGREES THAT IT IS SOLELY RESPONSIBLE FOR COMPLIANCE WITH ALL LEGAL, REGULATORY AND SAFETY-RELATED REQUIREMENTS CONCERNING ITS PRODUCTS, AND ANY USE OF SENSATA COMPONENTS IN ITS APPLICATIONS, NOTWITHSTANDING ANY APPLICATIONS-RELATED INFORMATION OR SUPPORT THAT MAY BE PROVIDED BY SENSATA.

Mailing Address: Sensata Technologies, Inc., 529 Pleasant Street, Attleboro, MA 02703, USA.

CONTACT US

Americas

+1 (800) 350 2727
sensors@sensata.com
switches@sensata.com

Europe, Middle East & Africa

+359 (2) 809 1826
pressure-info.eu@sensata.com

Asia Pacific

sales.isasia@list.sensata.com
China +86 (21) 2306 1500
Japan +81 (45) 277 7117
Korea +82 (31) 601 2004
India +91 (80) 67920890
Rest of Asia +886 (2) 27602006
ext 2808

X-ON Electronics

Largest Supplier of Electrical and Electronic Components

Click to view similar products for [Industrial Pressure Sensors](#) category:

Click to view products by [Sensata](#) manufacturer:

Other Similar products are found below :

[75380-05](#) [76053-00000300-01](#) [76053-00000300-05](#) [76061-00000015-01](#) [76062-B00000350-01](#) [76063-00000350-05](#) [76083-05000500-01](#)
[76311-05](#) [76577-00000070-01](#) [76584-M00000100-24](#) [77343-24.0H2-01](#) [77343-25.0H2-01](#) [78291-B00000060-01](#) [78303-B00000400-01](#)
[78303-B00000400-05](#) [78316-B00000030-01](#) [78353-B00000020-05](#) [78665-00000014-05](#) [78677-B00000070-05](#) [78678-00000040-01](#) [79279-](#)
[00000060-01](#) [79296-B00000350-01](#) [79322-00250035-01](#) [79614-30.0H2-14](#) [79670-00000090-15](#) [79700-00002750-01](#) [79917-B00000280-01](#)
[80569-00700100-01](#) [81509081](#) [81739-B00000900-01](#) [81807-B00000020-01](#) [MLH010BST01A](#) [MLH010BST14A](#) [MLH025BGC13B](#)
[MLH025BSCDJ1292](#) [MLH025BSCDJ1303](#) [MLH750PSCDJ1245](#) [82903-B00000020-01](#) [83250-02500600-05](#) [83271-00000040-04](#) [83278-](#)
[B00000200-21](#) [83286-00000150-01](#) [83299-00000150-05](#) [83303-00000600-01](#) [83305-00001350-01](#) [83330-00000100-01](#) [83349-00001470-24](#)
[83350-04.0HG-05](#) [83350-15.0H2-05](#) [83357-00000030-21](#)