

RSF100 Series



External Mount Miniature Vertical Switch

- External mount via compression seal
- Compact design with small diameter float
- Available in Nylon, Polypropylene, PPS and PVDF
- WRAS and NSF approved versions available

Technical Specification	RSF103	RSF104	RSF108	RSF106	RSF107
Material	Nylon	Polypropylene	Polypropylene	Polyphenylene Sulphide	PVDF
	WRAS approved	WRAS approved	UL approved	WRAS/UL	UL
Colour	Black	Opaque	White	Grey	Green
Temp. Range °C	-20 / +75	-20 / +100	-20 / +100	-10 / +120*	-10 / +105
°F	-4 / +167	-4 / +212	-4 / +212	+14 / +248*	+14 / +221
Min. Fluid SG	TBC	TBC	TBC	TBC	0.95

* Maximum temperature requires ETFE cable to be specified.

Electrical Specification	25W (Y code)		100W (H code)	
Contact Form	N/O (N/C)		N/O (N/C)	
Switching Power Max	VA	25	100	
Switching Voltage AC Max	V	240	300	
Switching Voltage DC Max	V	120	300	
Switching Current Max	A	0.6	1	

All ratings are for resistive load only.

Standard Parts	Material	Max Power	Leadouts	Gasket
RSF103Y100JN	Nylon	25VA	100cm PVC 2 core 7/0.2	Nitrile WRAS
RSF103H100JN	Nylon	100VA	100cm PVC 2 core 7/0.2	Nitrile WRAS
RSF104Y100JN	Polypropylene	25VA	100cm PVC 2 core 7/0.2	Nitrile WRAS & NSF
RSF104H100JN	Polypropylene	100VA	100cm PVC 2 core 7/0.2	Nitrile WRAS & NSF
RSF106Y100JN	Polyphenylene Sulphide	25VA	100cm PVC 2 core 7/0.2	Nitrile WRAS, UL & NSF
RSF106Y050TV	Polyphenylene Sulphide	25VA	50cm PTFE 2 core 7/0.2	Viton WRAS, UL & NSF
RSF106H100JN	Polyphenylene Sulphide	100VA	100cm PVC 2 core 7/0.2	Nitrile WRAS, UL & NSF
RSF106H050TV	Polyphenylene Sulphide	100VA	50cm PTFE 2 core 7/0.2	Viton WRAS, UL & NSF
RSF107Y100GN	PVDF	25VA	100cm PTFE 2 core 7/0.2	Nitrile UL & NSF
RSF107H100GN	PVDF	100VA	100cm PTFE 2 core 7/0.2	Nitrile UL & NSF
RSF107Y100GV	PVDF	25VA	100cm PTFE 2 core 7/0.2	Viton UL & NSF
RSF107H100GV	PVDF	100VA	100cm PTFE 2 core 7/0.2	Viton UL & NSF
RSF108Y100JN	Polypropylene	25VA	100cm PVC 2 core 7/0.2	Nitrile UL
RSF108H100JN	Polypropylene	100VA	100cm PVC 2 core 7/0.2	Nitrile UL
RSF103YNP	Nylon	25VA	M12 Connector	Nitrile WRAS
RSF103HNP	Nylon	100VA	M12 Connector	Nitrile WRAS
RSF104YNP	Polypropylene	25VA	M12 Connector	Nitrile WRAS & NSF
RSF104HNP	Polypropylene	100VA	M12 Connector	Nitrile WRAS & NSF
RSF106YNP	Polyphenylene Sulphide	25VA	M12 Connector	Nitrile WRAS, UL & NSF
RSF106HNP	Polyphenylene Sulphide	100VA	M12 Connector	Nitrile WRAS, UL & NSF
RSF107YNP	PVDF	25VA	M12 Connector	Nitrile UL & NSF
RSF107HNP	PVDF	100VA	M12 Connector	Nitrile UL & NSF
RSF107YVP	PVDF	25VA	M12 Connector	Viton UL & NSF
RSF107HVP	PVDF	100VA	M12 Connector	Viton UL & NSF
RSF108YNP	Polypropylene	25VA	M12 Connector	Nitrile UL
RSF108HNP	Polypropylene	100VA	M12 Connector	Nitrile UL

Custom versions can be made for particular applications. Please contact Cynergy3 with your requirements.

A compact vertically mounted design with a single switch point.

Mounting is in the top or bottom of a tank via a compression seal, so does not require access to the inside of the tank for fitting

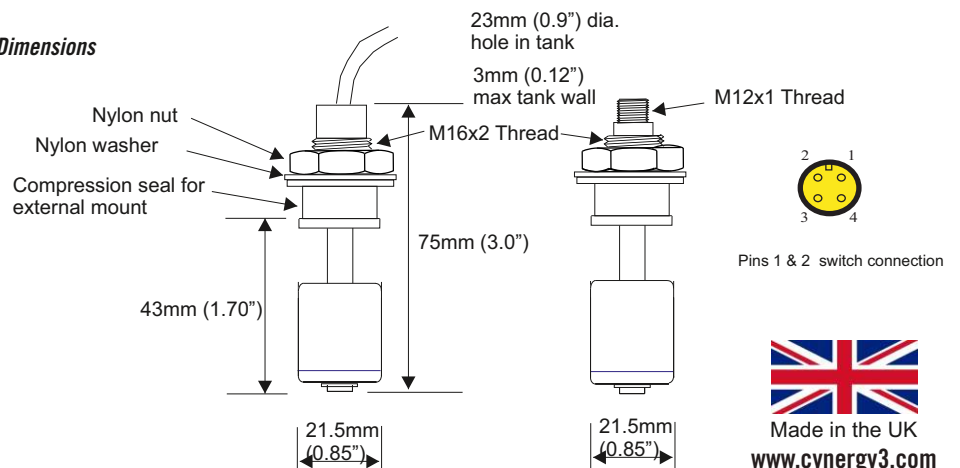
Standard versions are 25VA and high power versions are available with 100VA switching capacity.

The switch action may be reversed by removing the float, inverting it, then refitting to the stem.

Available in flying lead of M12 connector versions.

Cables are available for use with M12 connection versions.

Mechanical Dimensions



Cynergy3 Components Ltd.
7 Cobham Road
Ferndown Industrial Estate
Wimborne, Dorset BH21 7PE, UK
Telephone: +44 (0)1202 897969
Email: c3w_sales@sensata.com

ISO9001 CERTIFIED

cynergy3-rsf100-v2

X-ON Electronics

Largest Supplier of Electrical and Electronic Components

Click to view similar products for [Liquid Level Sensors](#) category:

Click to view products by [Sensata](#) manufacturer:

Other Similar products are found below :

[FSH-21](#) [FSH-25](#) [FSH-34](#) [FSH-35](#) [FSV-31](#) [FSV-35](#) [RSF54H100R1/8](#) [LRNH31S41](#) [F03-16SFC-10M](#) [F03-16PE-5M](#) [F03-16PT-5M](#) [SCN-1518SC](#) [LL103000](#) [LRNR31N01](#) [F03-16PT-2M](#) [MS03-PP](#) [F03-16SF-10M](#) [KSL-100-1](#) [LS01-1A66-PP-2000W](#) [LS01-1B66-PP-500W](#) [LS02-1B66-S-500W](#) [LS02-1B85-PP-5000W](#) [LS03-1A85-PP-500W](#) [LS03/DL-1A85-PA-500W](#) [EL-10N](#) [EL-3N](#) [LL01-1AA01](#) [59630-1-T-02-F](#) [LS04-1B66-2-500W](#) [LFFS 011](#) [PS-3S \(Q\)](#) [T0-SKF-0.5](#) [T0-SKF-10](#) [T0-SKF-5](#) [VNI3](#) [CLE2P](#) [VNI1](#) [LBFS 0111](#) [LFFS 014](#) [KSL-35-PP](#) [KSL-88-PP](#) [KSL-99-1](#) [LS02-1A85-PP-500W](#) [LS02-1B85-PP-500W](#) [LS03-1A85-PA-500W](#) [MIC 1000-20](#) [700670](#) [BAF147B002-00A0](#) [DFT-110](#) [DFT-220](#)