

RSF100 SERIES

EXTERNAL MOUNT MINIATURE VERTICAL SWITCH



A compact vertically mounted design with a single switch point.

Mounting is in the top or bottom of a tank via a compression seal, so does not require access to the inside of the tank for fitting.

Standard versions are 25VA and high power versions are available with 100VA switching capacity.

The switch action may be reversed by removing the float, inverting it, then refitting to the stem.

Available in flying lead of M12 connector versions.

Cables are available for use with M12 connection versions.

Features

- External mount via compression seal
- Compact design with small diameter float
- Available in Nylon, Polypropylene, PPS or PVDF
- WRAS and NSF approved versions available

SPECIFICATIONS

Technical

	RSF103	RSF104	RSF108	RSF106	RSF107	
Material	Nylon WRAS approved	Polypropylene WRAS approved	Polypropylene UL approved	Polyphenylene Sulphide WRAS/UL	PVDF UL	
Colour	Black	Opaque	White	Grey	Green	
Temp Range	°C	-20/+75	-20/+100	-20/+100	-10/+120*	-10/+105
	°F	-4/+167	-4/+212	-4/+212	+14/+248*	+14/+221
Min. Fluid SG	TBC	TBC	TBC	TBC	0.95	

* Maximum temperature requires ETFE cable to be specified.

Electrical

		25W (Y code)	100W (H code)
Contact Form		N/O (N/C)	N/O (N/C)
Switching Power Max	VA	25	100
Switching Voltage AC Max	V	240	300
Switching Voltage DC Max	V	120	300
Switching Current Max	A	0.6	1

All ratings are for resistive load only.



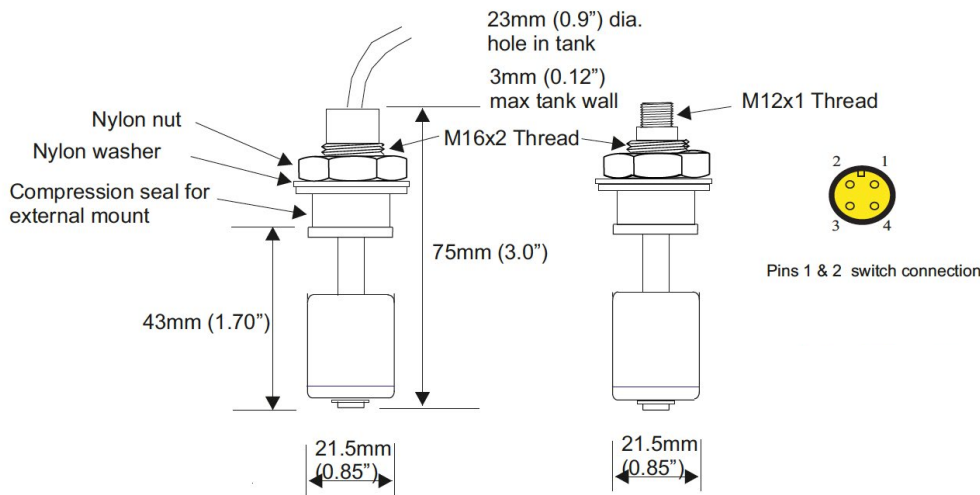
	Material	Max Power	Leadouts	Gasket	Approvals
RSF103Y100JN	Nylon	25VA	100cm PVC 2 core 7/0.2	Nitrile	WRAS
RSF103H100JN	Nylon	100VA	100cm PVC 2 core 7/0.2	Nitrile	WRAS
RSF104Y100JN	Polypropylene	25VA	100cm PVC 2 core 7/0.2	Nitrile	WRAS & NSF
RSF104H100JN	Polypropylene	100VA	100cm PVC 2 core 7/0.2	Nitrile	WRAS & NSF
RSF106Y100JN	Polyphenylene Sulphide	25VA	100cm PVC 2 core 7/0.2	Nitrile	WRAS, UL & NSF
RSF106Y050TV	Polyphenylene Sulphide	25VA	50cm PTFE 2 core 7/0.2	Viton	WRAS, UL & NSF
RSF106H100JN	Polyphenylene Sulphide	100VA	100cm PVC 2 core 7/0.2	Nitrile	WRAS, UL & NSF
RSF106H050TV	Polyphenylene Sulphide	100VA	50cm PTFE 2 core 7/0.2	Viton	WRAS, UL & NSF
RSF107Y100GN	PVDF	25VA	100cm PTFE 2 core 7/0.2	Nitrile	UL & NSF
RSF107H100GN	PVDF	100VA	100cm PTFE 2 core 7/0.2	Nitrile	UL & NSF
RSF107Y100GV	PVDF	25VA	100cm PTFE 2 core 7/0.2	Viton	UL & NSF
RSF107H100GV	PVDF	100VA	100cm PTFE 2 core 7/0.2	Viton	UL & NSF
RSF108Y100JN	Polypropylene	25VA	100cm PVC 2 core 7/0.2	Nitrile	UL
RSF108H100JN	Polypropylene	100VA	100cm PVC 2 core 7/0.2	Nitrile	UL
RSF103YNP	Nylon	25VA	M12 Connector	Nitrile	WRAS
RSF103HNP	Nylon	100VA	M12 Connector	Nitrile	WRAS
RSF104YNP	Polypropylene	25VA	M12 Connector	Nitrile	WRAS & NSF
RSF104HNP	Polypropylene	100VA	M12 Connector	Nitrile	WRAS & NSF
RSF106YNP	Polyphenylene Sulphide	25VA	M12 Connector	Nitrile	WRAS, UL & NSF
RSF106HNP	Polyphenylene Sulphide	100VA	M12 Connector	Nitrile	WRAS, UL & NSF
RSF107YNP	PVDF	25VA	M12 Connector	Nitrile	UL & NSF
RSF107HNP	PVDF	100VA	M12 Connector	Nitrile	UL & NSF
RSF107YVP	PVDF	25VA	M12 Connector	Viton	UL & NSF
RSF107HVP	PVDF	100VA	M12 Connector	Viton	UL & NSF
RSF108YNP	Polypropylene	25VA	M12 Connector	Nitrile	UL
RSF108HNP	Polypropylene	100VA	M12 Connector	Nitrile	UL

Custom versions can be made for particular applications. Please contact Sensata with your requirements.



DIMENSIONS

All dimensions are in millimeters.



Made in the UK

Page 3

Sensata Technologies, Inc. ("Sensata") data sheets are solely intended to assist designers ("Buyers") who are developing systems that incorporate Sensata products (also referred to herein as "components"). Buyer understands and agrees that Buyer remains responsible for using its independent analysis, evaluation and judgment in designing Buyer's systems and products. Sensata data sheets have been created using standard laboratory conditions and engineering practices. Sensata has not conducted any testing other than that specifically described in the published documentation for a particular data sheet. Sensata may make corrections, enhancements, improvements and other changes to its data sheets or components without notice.

Buyers are authorized to use Sensata data sheets with the Sensata component(s) identified in each particular data sheet. HOWEVER, NO OTHER LICENSE, EXPRESS OR IMPLIED, BY ESTOPPEL OR OTHERWISE TO ANY OTHER SENSATA INTELLECTUAL PROPERTY RIGHT, AND NO LICENSE TO ANY THIRD PARTY TECHNOLOGY OR INTELLECTUAL PROPERTY RIGHT, IS GRANTED HEREIN. SENSATA DATA SHEETS ARE PROVIDED "AS IS". SENSATA MAKES NO WARRANTIES OR REPRESENTATIONS WITH REGARD TO THE DATA SHEETS OR USE OF THE DATA SHEETS, EXPRESS, IMPLIED OR STATUTORY, INCLUDING ACCURACY OR COMPLETENESS. SENSATA DISCLAIMS ANY WARRANTY OF TITLE AND ANY IMPLIED WARRANTIES OF MERCHANTABILITY, FITNESS FOR A PARTICULAR PURPOSE, QUIET ENJOYMENT, QUIET POSSESSION, AND NON-INFRINGEMENT OF ANY THIRD PARTY INTELLECTUAL PROPERTY RIGHTS WITH REGARD TO SENSATA DATA SHEETS OR USE THEREOF.

All products are sold subject to Sensata's terms and conditions of sale supplied at www.sensata.com SENSATA ASSUMES NO LIABILITY FOR APPLICATIONS ASSISTANCE OR THE DESIGN OF BUYERS' PRODUCTS. BUYER ACKNOWLEDGES AND AGREES THAT IT IS SOLELY RESPONSIBLE FOR COMPLIANCE WITH ALL LEGAL, REGULATORY AND SAFETY-RELATED REQUIREMENTS CONCERNING ITS PRODUCTS, AND ANY USE OF SENSATA COMPONENTS IN ITS APPLICATIONS, NOTWITHSTANDING ANY APPLICATIONS-RELATED INFORMATION OR SUPPORT THAT MAY BE PROVIDED BY SENSATA.

Mailing Address: Sensata Technologies, Inc., 529 Pleasant Street, Attleboro, MA 02703, USA.

CONTACT US

+44 (0)1202 897969
 c3w_sales@sensata.com
 Cynergy3 Components Ltd.
 7 Cobham Road,
 Ferndown Industrial Estate,
 Wimborne, Dorset,
 BH21 7PE, United Kingdom

X-ON Electronics

Largest Supplier of Electrical and Electronic Components

Click to view similar products for [Liquid Level Sensors](#) category:

Click to view products by [Sensata](#) manufacturer:

Other Similar products are found below :

[FSH-21](#) [FSH-25](#) [FSH-34](#) [FSH-35](#) [FSV-31](#) [FSV-35](#) [RSF54H100R1/8](#) [LRNH31S41](#) [F03-16SFC-10M](#) [F03-16PE-5M](#) [F03-16PT-5M](#) [SCN-1518SC](#) [LL103000](#) [LRNR31N01](#) [F03-16PT-2M](#) [MS03-PP](#) [F03-16SF-10M](#) [KSL-100-1](#) [LS01-1A66-PP-2000W](#) [LS01-1B66-PP-500W](#) [LS02-1B66-S-500W](#) [LS02-1B85-PP-5000W](#) [LS03-1A85-PP-500W](#) [LS03/DL-1A85-PA-500W](#) [EL-10N](#) [EL-3N](#) [LL01-1AA01](#) [59630-1-T-02-F](#) [LS04-1B66-2-500W](#) [LFFS 011](#) [PS-3S \(Q\)](#) [T0-SKF-0.5](#) [T0-SKF-10](#) [T0-SKF-5](#) [VNI3](#) [CLE2P](#) [VNI1](#) [LBFS 0111](#) [LFFS 014](#) [KSL-35-PP](#) [KSL-88-PP](#) [KSL-99-1](#) [LS02-1A85-PP-500W](#) [LS02-1B85-PP-500W](#) [LS03-1A85-PA-500W](#) [MIC 1000-20](#) [700670](#) [BAF147B002-00A0](#) [DFT-110](#) [DFT-220](#)